



# Original operating manual

Mounted compact disc harrow with slurry spreader

Catros 5003-2<sup>+</sup>

Catros 6003-2<sup>+</sup>

Catros 7003-2<sup>+</sup>



SmartLearning



 **AMAZONE** / AMAZONEN-WERKE H. DREYER SE & Co. KG  
Am Amazonenwerk 9-13 D-49205 Hasbergen

Machine no.

Vehicle ID no.

Product

Permissible technical implement weight kg  Model Year



  Year of construction



Please enter the identification data of the implement. The identification data can be found on the rating plate.



# TABLE OF CONTENTS

<b>1</b>	<b>About this operating manual</b>	<b>1</b>	4.5.1	Rear lighting and identification	33
1.1	Copyright	1	4.5.2	Front lighting and identification	33
1.2	Diagrams	1	4.5.3	Additional license plate	34
1.2.1	Warnings and signal words	1	<b>4.6</b>	<b>Rating plate on the implement</b>	<b>34</b>
1.2.2	Further instructions	2	<b>4.7</b>	<b>Threaded cartridge</b>	<b>34</b>
1.2.3	Instructions	2	<b>4.8</b>	<b>Slurry spreader and slurry spreading</b>	<b>35</b>
1.2.4	Lists	4	<b>4.9</b>	<b>GreenDrill pack top seed drill</b>	<b>35</b>
1.2.5	Item numbers in figures	4			
1.2.6	Direction information	4	<b>5</b>	<b>Technical data</b>	<b>37</b>
<b>1.3</b>	<b>Other applicable documents</b>	<b>4</b>	5.1	Dimensions	37
<b>1.4</b>	<b>Digital operating manual</b>	<b>4</b>	5.2	Soil tillage tools	37
<b>1.5</b>	<b>Your opinion is important</b>	<b>4</b>	5.3	Slurry spreader	38
			5.4	Permitted mounting categories	38
			5.5	Forward speed	38
			5.6	Performance characteristics of the tractor	38
			5.7	Noise development data	39
			5.8	Drivable slope inclination	39
			5.9	Lubricants	40
<b>2</b>	<b>Safety and responsibility</b>	<b>5</b>	<b>6</b>	<b>Preparing the machine</b>	<b>41</b>
2.1	Basic safety instructions	5	6.1	Calculating the required tractor characteristics	41
2.1.1	Meaning of the operating manual	5	6.2	Adjusting the three-point mounting frame	44
2.1.2	Safe operating organisation	5	6.2.1	Adjusting the three-point mounting frame for mounting category 3	44
2.1.3	Knowing and preventing dangers	10	6.2.2	Adjusting the three-point mounting frame for mounting category 4	45
2.1.4	Safe operation and handling of the machine	13	<b>6.3</b>	<b>Coupling the implement</b>	<b>46</b>
2.1.5	Safe maintenance and modification	15	6.3.1	Attaching the backstop profiles for the lower links	46
<b>2.2</b>	<b>Safety routines</b>	<b>19</b>	6.3.2	Driving the tractor towards the implement	46
			6.3.3	Coupling the hydraulic hose lines	46
			6.3.4	Coupling the power supply	48
<b>3</b>	<b>Intended use</b>	<b>21</b>			
<b>4</b>	<b>Product description</b>	<b>23</b>			
4.1	Implement overview	23			
4.2	Function of the implement	24			
4.3	Special equipment	24			
4.4	Warning symbols	25			
4.4.1	Positions of the warning symbols	25			
4.4.2	Layout of the warning symbols	27			
4.4.3	Description of the warning symbols	27			
<b>4.5</b>	<b>Lighting and identification for road travel</b>	<b>33</b>			

## TABLE OF CONTENTS

6.3.5	Coupling the power supply for the central lubrication	48	<b>9 Parking the machine</b>	<b>73</b>
6.3.6	Coupling the three-point mounting frame	49	<b>9.1 Unfolding the sections</b>	<b>73</b>
6.3.7	Aligning the implement horizontally	49	<b>9.2 Uncoupling the three-point mounting frame</b>	<b>73</b>
<b>6.4</b>	<b>Installing the supply hose on the slurry spreader</b>	<b>50</b>	<b>9.3 Driving the tractor away from the implement</b>	<b>74</b>
<b>6.5</b>	<b>Preparing the implement for operation</b>	<b>50</b>	<b>9.4 Uncoupling the power supply</b>	<b>74</b>
6.5.1	Unfolding the sections	50	<b>9.5 Disconnecting the hydraulic hose lines</b>	<b>75</b>
6.5.2	Adjusting the trailing elements	51		
6.5.3	Installing ballast weights	56	<b>10 Repairing the machine</b>	<b>76</b>
6.5.4	Adjusting the scraper to the roller	56	<b>10.1 Maintaining the machine</b>	<b>76</b>
6.5.5	Adjusting the central lubrication	57	10.1.1 Maintenance schedule	76
6.5.6	Filling the GreenDrill	58	10.1.2 Replacing the discs	77
<b>6.6</b>	<b>Preparing the machine for road travel</b>	<b>59</b>	10.1.3 Aligning the disc gangs relative to each other	77
6.6.1	Moving the harrow into transport position	59	10.1.4 Checking the rollers	79
6.6.2	Putting on the road safety bars	61	10.1.5 Checking the lower link pins and top link pins	79
6.6.3	Preparing the side disc for road travel	61	10.1.6 Checking the hydraulic hose lines	80
6.6.4	Folding the sections	62	10.1.7 Checking the central lubrication	81
6.6.5	Locking the tractor control units	62	10.1.8 Checking the hose clamps on the slurry spreader	82
			10.1.9 Checking the fastening of the slurry spreader	83
<b>7 Using the machine</b>	<b>63</b>		10.1.10 Cleaning the slurry spreader	83
<b>7.1 Unfolding the sections</b>	<b>63</b>		10.1.11 Checking the cutting ring and cutting blade in the slurry spreader	84
<b>7.2 Preparing the side disc for operation</b>	<b>63</b>		10.1.12 Checking the diaphragm in the slurry spreader	85
<b>7.3 Removing the road safety bars</b>	<b>64</b>		10.1.13 Checking the hydraulic motor adapter of the slurry spreader	85
<b>7.4 Adjusting the working depth</b>	<b>65</b>		10.1.14 Replacing the cutting ring and cutting blade in the slurry spreader	86
7.4.1 Adjusting the working depth of the discs	65		10.1.15 Replacing the seals on the distributor head of the slurry spreader	88
7.4.2 Adjust the working depth of the side guide plates	67			
<b>7.5 Using the implement</b>	<b>67</b>		<b>10.2 Lubricating the implement</b>	<b>91</b>
<b>7.6 Using the slurry spreader</b>	<b>68</b>		10.2.1 Overview of lubrication points	92
<b>7.7 Turning on the headlands</b>	<b>68</b>		<b>10.3 Cleaning the implement</b>	<b>93</b>
<b>7.8 Cleaning the slurry spreader on the field</b>	<b>69</b>			
<b>8 Eliminating faults</b>	<b>70</b>			

---

10.4	Storing the implement	94
<b>11</b>	<b>Loading the implement</b>	<b>95</b>
11.1	Loading the implement with a crane	95
11.2	Lashing the implement	96
<b>12</b>	<b>Disposing of the implement</b>	<b>97</b>
<b>13</b>	<b>Appendix</b>	<b>98</b>
13.1	Bolt tightening torques	98
13.2	Other applicable documents	99
<b>14</b>	<b>Directories</b>	<b>100</b>
14.1	Glossary	100
14.2	Index	101



# About this operating manual

# 1

CMS-T-00000081-J.1

## 1.1 Copyright

CMS-T-00012308-A.1

Reprinting, translation and reproduction in any form, including excerpts, require the written approval of AMAZONEN-WERKE.

## 1.2 Diagrams

CMS-T-005676-G.1

### 1.2.1 Warnings and signal words

CMS-T-00002415-A.1

Warnings are marked with a vertical bar with a triangular safety symbol and the signal word. The signal words "*DANGER*", "*WARNING*" or "*CAUTION*" describe the severity of the potential danger and have the following meanings:



#### **DANGER**

- ▶ Indicates a direct threat with high risk for severe physical injury, such as loss of limbs or death.



#### **WARNING**

- ▶ Indicates a possible threat with moderate risk for severe physical injury or death.



#### **CAUTION**

- ▶ Indicates a threat with low risk for light or moderately severe physical injuries.

## 1.2.2 Further instructions

CMS-T-00002416-A.1



### IMPORTANT

- ▶ Indicates a risk for damage to the implement.



### ENVIRONMENTAL INFORMATION

- ▶ Indicates a risk for environmental damage.



### NOTE

Indicates application tips and instructions for optimal use.

## 1.2.3 Instructions

CMS-T-00000473-E.1

### 1.2.3.1 Numbered instructions

CMS-T-005217-B.1

Actions that have to be performed in a specific sequence are represented as numbered instructions. The specified sequence of the actions must be observed.

Example:

1. Instruction 1
2. Instruction 2

### 1.2.3.2 Instructions and responses

CMS-T-005678-B.1

Reactions to instructions are marked with an arrow.

Example:

1. Instruction 1
- ➔ Reaction to instruction 1
2. Instruction 2



### 1.2.3.3 Alternative instructions

CMS-T-00000110-B.1

Alternative instructions are introduced with the word "or".

Example:

1. Instruction 1

or

Alternative instruction

2. Instruction 2

### 1.2.3.4 Instructions with only one action

CMS-T-005211-C.1

Instructions with only one action are not numbered, but rather shown with a arrow.

Example:

▶ Instruction

### 1.2.3.5 Instructions without sequence

CMS-T-005214-C.1

Instructions that do not require a specific sequence are shown as a list with arrows.

Example:

▶ Instruction

▶ Instruction

▶ Instruction

### 1.2.3.6 Workshop work

CMS-T-00013932-B.1



#### **WORKSHOP WORK**

- ▶ Identifies maintenance work that must be performed at a workshop that is adequately equipped in terms of agricultural technology, safety and environmental technology by specialist personnel with appropriate training.

## 1.2.4 Lists

CMS-T-000024-A.1

Lists without an essential order are shown as a list with bullets.

Example:

- Point 1
- Point 2

## 1.2.5 Item numbers in figures

CMS-T-000023-B.1

A framed number in the text, e.g. a 1, indicates an item number in an adjacent figure.

## 1.2.6 Direction information

CMS-T-00012309-A.1

Unless otherwise specified, all directions are always seen in the direction of travel.

## 1.3 Other applicable documents

CMS-T-00000616-B.1

A list of other applicable documents can be found in the Appendix.

## 1.4 Digital operating manual

CMS-T-00002024-B.1

The digital operating manual and e-learning can be downloaded from the Info Portal on the AMAZONE website.

## 1.5 Your opinion is important

CMS-T-000059-D.1

Dear reader, our documents are updated on a regular basis. Your suggestions for improvement help us to create ever more user-friendly documents. Please send us your suggestions by post, fax or email.

AMAZONEN-WERKE H. Dreyer SE & Co. KG  
Technische Redaktion  
Postfach 51  
D-49202 Hasbergen  
Fax: +49 (0) 5405 501-234  
E-Mail: [tr.feedback@amazone.de](mailto:tr.feedback@amazone.de)

CMS-I-00000638

# Safety and responsibility

# 2

CMS-T-00015811-C.1

## 2.1 Basic safety instructions

CMS-T-00015812-C.1

### 2.1.1 Meaning of the operating manual

CMS-T-00006180-A.1

#### Observe the operating manual

The operating manual is an important document and a part of the implement. It is intended for the user and contains safety-related information. Only the instructions provided in the operating manual are reliable. If the operating manual is not observed, it can result in serious injury or death.

- ▶ The safety section must be completely read and observed before initial operation of the implement.
- ▶ Before starting work, also read and observe each section of the operating manual.
- ▶ Keep the operating manual in a safe place.
- ▶ Keep the operating manual available.
- ▶ Hand over the operating manual to the subsequent user.

### 2.1.2 Safe operating organisation

CMS-T-00002302-E.1

#### 2.1.2.1 Personnel qualification

CMS-T-00002306-C.1

##### 2.1.2.1.1 Requirements for persons working with the implement

CMS-T-00002310-C.1

**If the implement is used improperly, people can be injured or killed: To prevent accidents due to improper use, every person who works with**

**the implement must meet the following minimum requirements:**

- The person is physically and mentally capable of controlling the machine.
- The person can safely perform work with the machine within the scope of this operating manual.
- The person understands the functioning of the machine within the scope of their work and can recognise and prevent dangers arising during operation.
- The person had understood the operating manual and can implement the information that is conveyed in the operating manual.
- The person must be familiar with safe driving of vehicles.
- For road travel, the person knows the relevant road traffic regulations and has the prescribed driving permit.

#### **2.1.2.1.2 Qualification levels**

CMS-T-00002311-A.1

**For working with the machine, the following qualification levels are provided:**

- Farmer
- Agricultural helper

As a matter of principle, the activities described in this operating manual can be performed by persons with the qualification level "Agricultural helper".

#### **2.1.2.1.3 Farmer**

CMS-T-00002312-A.1

Farmers use agricultural implement to cultivate fields. They decide on the use of an implement for a specific purpose.

Farmers are basically familiar with working with agricultural implements and can instruct agricultural helpers in how to use the implements if necessary. They can perform odd tasks and simple maintenance and repair work on agricultural implements themselves.

**Farmers can be e.g.:**

- Farmers with higher education or training from a technical college
- Farmers by experience (e.g. inherited farm, comprehensive practical knowledge)
- Contractors who work by order of farmers

**Activity example:**

- Safety training for agricultural helpers

**2.1.2.1.4 Agricultural helpers**

CMS-T-00002313-A.1

Agricultural helpers use agricultural implements by order of the farmer. They are instructed on the use of the implement by the farmer, and work independently according to the work assignment from the farmer.

**Agricultural helpers can be e.g.:**

- Seasonal workers and labourers
- Prospective farmers in training
- Employees of the farmer (e.g. tractor driver)
- Family members of the farmer

**Activity examples:**

- Driving the machine
- Adjusting the working depth

**2.1.2.2 Workplaces and passengers**

CMS-T-00002307-B.1

**Passengers**

Passengers can fall, be run over and severely injured or killed due to machine movements. Ejected objects can hit and injure passengers.

- ▶ Do not let anybody ride on the machine.
- ▶ Do not let anybody climb onto the driving machine.

### 2.1.2.3 Danger for children

CMS-T-00002308-A.1

#### Danger for children

Children cannot assess dangerous situations and can behave unpredictably. As a result, children are at a higher risk.

- ▶ Keep children away.
- ▶ *When you drive out or actuate machine movements,* make sure that there are no children in the danger area.

### 2.1.2.4 Operational safety

CMS-T-00002309-D.1

#### 2.1.2.4.1 Perfect technical condition

CMS-T-00002314-D.1

#### Only use properly prepared machines

Without correct preparation according to this operating manual, operational safety of the machine is not ensured. This can result in accidents and serious personal injury or even death.

- ▶ Prepare the machine according to this operating manual.

#### Danger due to damage to the machine

Damage to the machine can impede the operational safety of the machine and cause accidents. This can result in serious injury or death.

- ▶ *If you suspect or observe damage:*  
Secure the tractor and machine.
- ▶ Repair safety-relevant damage immediately.
- ▶ Fix the damage according to this operating manual.
- ▶ *If you are not able to fix the damage according to this operating manual yourself:*  
Have the damage repaired by a qualified specialist workshop.

#### Observe the technical limit values

Non-observance of the technical limits values of the machine can result in accidents and serious personal injury or even death. Moreover, the machine can be damaged. The technical limit values can be found in the Technical Data.

- ▶ Comply with the technical limit values.

#### 2.1.2.4.2 Personal protective equipment

CMS-T-00002316-B.1

##### Personal protective equipment

Wearing personal protective equipment is an important safety element. Missing or unsuitable personal protective equipment increases the risk of damage to health and personal injury. Personal protective equipment includes: work gloves, safety shoes, protective clothing, breathing protection, hearing protection, face protection, and eye protection

- ▶ Determine the personal protective equipment required for each job and have it ready.
- ▶ Use only protective equipment that is in proper condition and offers effective protection.
- ▶ Adjust the personal protective equipment to the person, e.g. the size.
- ▶ Observe the manufacturer's instructions regarding operating materials, seed, fertiliser, crop protection products, and cleaning agents.

##### Wear suitable clothing

Loosely worn clothing increases the risk of getting caught or entangled on rotating parts and getting stuck on protruding parts. This can result in serious injury or death.

- ▶ Wear close-fitting, snag-free clothes.
- ▶ Never wear rings, necklaces and other jewellery.
- ▶ *If you have long hair,*  
wear a hairnet.

#### 2.1.2.4.3 Warning symbols

CMS-T-00002317-B.1

##### Keep warning symbols legible

Warning symbols on the machine warn you of risks in danger areas and are an important element of the machine's safety equipment. Missing warning symbols increase the risk of serious and lethal personal injury.

- ▶ Clean dirty warning symbols.
- ▶ Immediately replace any damaged and illegible warning symbols.
- ▶ Put the intended warning symbols on spare parts.

### 2.1.3 Knowing and preventing dangers

CMS-T-00015814-A.1

#### 2.1.3.1 Safety hazards on the implement

CMS-T-00002318-F.1

##### Liquids under pressure

Escaping high pressure hydraulic fluid can penetrate into the body through the skin and cause serious personal injuries. A hole the size of a needle can already result in serious personal injuries.

- ▶ *Before you uncouple the hydraulic hose lines or check for damage,* depressurise the hydraulic system.
- ▶ *If you suspect damage on a pressure system,* have the pressure system checked by a qualified specialist workshop.
- ▶ Never look for leaks with your bare hands.
- ▶ Keep your body and face away from leaks.
- ▶ *If liquids penetrate the body,* consult a doctor immediately.

##### Risk of injury on the universal joint shaft

Persons can be caught, pulled in and severely injured by the universal joint shaft and driven components. If the universal joint shaft is overloaded, the implement can be damaged, parts can be ejected at high speed, and persons can be injured.

- ▶ Maintain sufficient coverage of the profile tube, universal joint shaft guard and PTO shaft protective cap.
- ▶ Maintain the direction of rotation and the permissible speed of the universal joint shaft.
- ▶ *If the universal joint shaft is angled down too strongly:*  
Switch off the universal joint shaft drive.
- ▶ *If you do not need the universal joint shaft:*  
Switch off the universal joint shaft drive.



### **Risk of injury on the PTO shaft**

Persons can be caught, pulled in and severely injured by the PTO shaft and driven components. If the PTO shaft is overloaded, the implement can be damaged, parts can be ejected at high speed, and persons can be injured.

- ▶ Maintain sufficient coverage of the profile tube, universal joint shaft guard and PTO shaft protective cap.
- ▶ Allow the locks on the PTO shaft to engage.
- ▶ *To secure the universal joint shaft guard against rotating:*  
Hook on the safety chains.
- ▶ *To secure the coupled hydraulic pump against rotating:*  
Put on the torque support.
- ▶ Maintain the direction of rotation and the permissible speed of the PTO shaft.
- ▶ *To prevent implement damage due to torque peaks:*  
Slowly couple the PTO shaft at low tractor engine speed.

### **Danger due to machine parts still running**

When the drives are switched off, machine parts can continue running and cause serious personal injury or death.

- ▶ Before approaching the machine, wait until any machine parts that are still running have come to a stop.
- ▶ Only touch machine parts that are standing still.

### 2.1.3.2 Danger areas

CMS-T-00015815-A.1

#### Dangers areas on the machine

The following basic dangers are encountered in the danger areas:

The implement and its work tools move during operation.

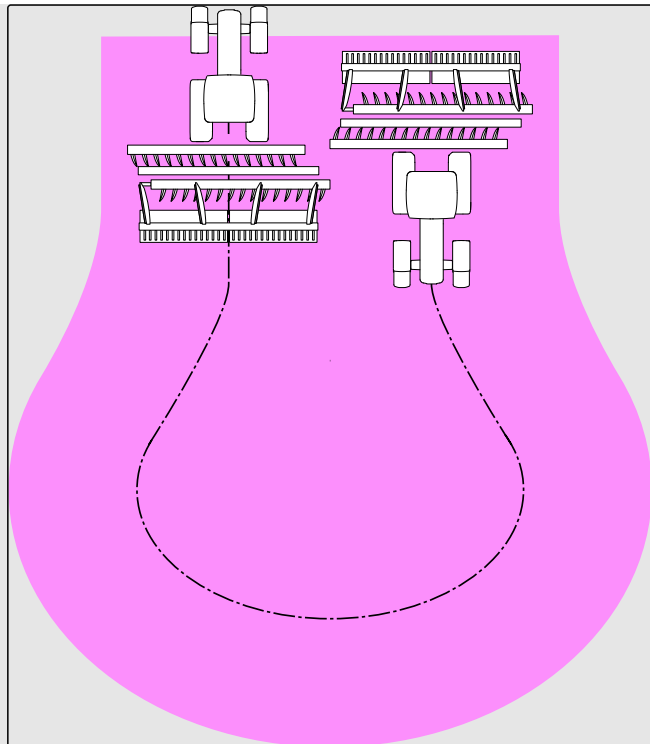
Hydraulically raised machine parts can descend unnoticed and slowly.

The tractor and implement can roll away unintentionally.

Materials or foreign objects can be ejected out of or away from the implement.

If the danger area is not observed, it can result in serious personal injury or death.

- ▶ Keep people out of the danger area of the machine.
  
- ▶ *If people enter the danger area,* immediately switch off the engines and drives.
  
- ▶ *Before you work in the danger area of the implement,* secure the tractor and implement. This also applies for quick checking work.



CMS-I-001131

### Overhead power lines

When unfolding and folding or when folding and lifting out or raising the implement or implement parts during operation, the implement can reach the height of overhead power lines. This can cause voltage to jump over to the machine and cause lethal electrical shocks or fires. Large voltage differences develop on the ground surrounding the machine.

- ▶ When unfolding and folding or when folding and raising or lifting out the implement or implement parts, maintain a sufficient distance from overhead power lines.
- ▶ Never fold or unfold the implement parts close to overhead power line pylons and overhead power lines.
- ▶ When the implement parts are unfolded, maintain a safe distance from overhead power lines.
- ▶ *If voltage has jumped over to the machine:*  
Stay in the cab.
- ▶ Do not touch any metal parts.
- ▶ Warn people to stay away from the machine.
- ▶ Wait for help from a professional rescue team.
- ▶ *If people must exit the cab despite the voltage flashover, e.g. due to direct lethal danger from fire:*  
Jump away from the machine into a stable position.
- ▶ Do not touch the machine.
- ▶ Move away from the machine with small steps.

## 2.1.4 Safe operation and handling of the machine

CMS-T-00002304-L.1

### 2.1.4.1 Coupling implements

CMS-T-00002320-D.1

#### Coupling the implement on the tractor

Incorrectly coupling of the implement to the tractor results in hazards that can cause serious accidents.

There are crushing and shear points in the area of the coupling points between the tractor and the implement.

- ▶ *If you couple or uncouple the implement to or from the tractor,*  
be very careful.
- ▶ Use only suitable tractors for coupling and transporting the implement.
- ▶ *When the implement is coupled onto the tractor,*  
make sure that the tractor's connecting device meets the implement requirements.
- ▶ Couple the implement properly to the tractor.

### 2.1.4.2 Driving safety

CMS-T-00002321-H.1

#### **Risk when driving on roads and fields**

Any mounted or towed implement as well as front or rear ballast weights on the tractor influence the driving behaviour and the steering and braking power of the tractor. The driving characteristics also depend on the operating condition, the fill level of the load, and on the ground. If the driver does not take account of changing driving characteristics, he can cause accidents.

- ▶ Always ensure that the tractor's steering and braking systems are operating correctly.
- ▶ *The tractor must provide the required brake lag for the tractor and mounted implement.*  
Check the function of the brakes before moving off.
- ▶ *The tractor front axle must always be loaded with at least 20 % of the empty tractor weight to ensure sufficient steering capacity.*  
Use front ballast weights if necessary.
- ▶ Always attach the front or rear ballast weights properly on the specified fixing points.
- ▶ Calculate and observe the permitted payload for the mounted or towed implement.
- ▶ Observe the permissible axle loads and drawbar loads of the tractor.
- ▶ Observe the permissible drawbar load of the hitch device and drawbar.
- ▶ Comply with the permissible transport width of the implement.
- ▶ Drive in such a way that you always have full control over the tractor with the mounted or towed implement. In so doing, take your personal abilities into account, as well as the road, traffic, visibility and weather conditions, the driving characteristics of the tractor, and the influence of the mounted implement.

#### **When driving on roads, risk of accident caused by uncontrolled lateral motions of the implement**

- ▶ Lock the tractor lower links for road travel.

#### **Preparing the implement for road travel**

If the machine is not properly prepared for road travel, it can result in serious traffic accidents.

- ▶ Check the lighting and identification for road travel for proper function.
- ▶ Remove coarse dirt from the implement.
- ▶ Use the warning beacon in compliance with the national regulations.
- ▶ Switch off the work lights.
- ▶ Lock the tractor control units.
- ▶ Follow the instructions in the section "Preparing the implement for road travel".

### Parking the implement

The parked machine can tip over. People can be crushed and killed.

- ▶ Only park the machine on stable and even ground.
- ▶ *Before you perform setting or maintenance work,* make sure that the implement is in a stable position. In case of doubt, support the implement.
- ▶ Follow the instructions in the section "*Parking the implement*".

### Unsupervised parking

Parked tractors with coupled implements that are insufficiently secured and unsupervised represent danger for people and playing children.

- ▶ *Before you leave the machine,* shutdown the tractor and the implement.
- ▶ Secure the tractor and machine.

### Do not use the control computer or control terminal during road travel

If the driver is distracted, it can result in accidents and injuries or even death.

- ▶ Do not operate the control computer or control terminal during road travel.

## 2.1.5 Safe maintenance and modification

CMS-T-00002305-K.1

### 2.1.5.1 Changes on the implement

CMS-T-00002322-B.1

#### Only authorised design changes

Design changes and extensions can impede the functioning and operational safety of the machine. This can result in serious injury or death.

- ▶ Have any design changes and extensions performed only by a qualified specialist workshop.
- ▶ *To ensure that the operating permit remains valid in accordance with national and international regulations,* ensure that the specialist workshop only uses conversion parts, spare parts and special equipment approved by AMAZONE.

### 2.1.5.2 Work on the machine

CMS-T-00002323-J.1

#### **Only work on the machine when it is at a standstill**

If the machine is not standing still, part can move unintentionally or the machine can be set in motion. This can result in serious injury or death.

- ▶ *If you have to work on or under raised loads:*  
Lower the loads or secure the loads with a hydraulic or mechanical locking device.
- ▶ Switch off all drives.
- ▶ Actuate the parking brake.
- ▶ Particularly on slopes, additionally secure the machine against rolling away with wheel chocks.
- ▶ Remove the ignition key and carry it with you.
- ▶ Wait until all parts that are still running come to a stop and until hot parts cool down.
- ▶ Do not stand on moving parts.

## Maintenance work

Improper maintenance work, particularly on safety-related components, endangers operational safety. This can result in accidents and serious personal injury or even death. Safety-related components include, for example, hydraulic components, electronic components, frames, springs, trailer coupling, axles and axle suspensions, lines and tanks containing flammable substances.

- ▶ *Before you adjust, maintain or clean the machine,* secure the machine.
  
- ▶ Repair the machine according to this operating manual.
  
- ▶ Only perform the work that is described in this operating manual.
  
- ▶ Have maintenance work that is labelled as "WORKSHOP WORK" performed at a workshop that is adequately equipped in terms of agricultural technology, safety and environmental technology by specialist personnel with appropriate training.
  
- ▶ Never perform welding, drilling, sawing, grinding, and cutting work on the frame, running gear or coupling devices of the implement.
  
- ▶ Never modify safety-related components.
  
- ▶ Never drill out existing holes.
  
- ▶ Perform all maintenance work at the prescribed maintenance intervals.



CMS-I-00007119

### **Raised implement parts**

Raised implement parts can descend unintentionally and crush or kill people.

- ▶ Never linger under raised implement parts.
- ▶ *If you have to work on or under raised machine parts,* lower the implement parts or secure the raised implement parts with a mechanical support or hydraulic locking device.

### **Danger due to welding work**

Improper welding work, particularly on or close to safety-related components, endangers the operational safety of the implement. This can result in accidents and serious personal injury or even death. Safety-related components include, for example, hydraulic components and electronic components, frames, springs, coupling devices to the tractor such as the three-point mounting frame, drawbar, trailer support, trailer coupling or tensioned crosspiece as well as axles and axle suspensions, lines and tanks containing flammable substances.

- ▶ Allow only qualified specialist workshops with suitably approved personnel to perform welding work on safety-related components.
- ▶ Only allow qualified personnel to perform welding work on all other components.
- ▶ *If you have doubts as to whether a component can be welded:*  
Ask a qualified specialist workshop.
- ▶ *Before welding on the implement:*  
Uncouple the implement from the tractor.
- ▶ Do not weld close to a crop protection sprayer that was previously used to spread liquid fertiliser.

### **2.1.5.3 Operating materials**

CMS-T-00002324-C.1

#### **Unsuitable operating materials**

Operating materials that do not meet AMAZONE requirements can cause implement damage and accidents.

- ▶ Only use operating material that meet the requirements in the Technical Data.



#### 2.1.5.4 Special equipment and spare parts

CMS-T-00002325-B.1

##### Special equipment, accessories, and spare parts

Special equipment, accessories, and spare parts that do not meet AMAZONE requirements can impede the operational safety of the implement and cause accidents.

- ▶ Only use original parts or parts that meet AMAZONE requirements.
- ▶ *If you have any questions regarding special equipment, accessories or spare parts, contact your dealer or AMAZONE.*

## 2.2 Safety routines

CMS-T-00002300-D.1

##### Securing the tractor and implement

If the tractor and implement are not secured against unintentional starting and rolling away, the tractor and implement can be set in motion in an uncontrolled manner, and can run over, crush and kill people.

- ▶ Lower the raised implement or raised implement parts.
- ▶ Relieve pressure in the hydraulic hose lines by actuating the operating devices.
- ▶ *If you have to stand under the raised implement or components, secure the raised implement and components against lowering with a mechanical safety support or hydraulic locking device.*
- ▶ Switch off the tractor.
- ▶ Apply the tractor's parking brake.
- ▶ Remove the ignition key.

##### Securing the machine

After uncoupling, the implement has to be secured. If the implement and implement parts are not secured, there is a risk of personal injury due to crushing and cutting.

- ▶ Only park the implement on stable and level ground.
- ▶ *Before you depressurise the hydraulic hose lines and disconnect them from the tractor, move the implement into working position.*
- ▶ Protect people against direct contact with sharp-edged or protruding implement parts.

### **Make sure that the protective equipment is functional**

If protective equipment is missing, damaged or removed, implement parts can cause serious personal injury or even death.

- ▶ Check the implement at least once a day for damage, proper installation, and functioning of the protective equipment.
- ▶ *If you are not sure if the protective equipment is properly installed and functional,* have the protective equipment checked by a qualified specialist workshop.
- ▶ Make sure that the protective devices are properly installed and functional before any work on the implement.
- ▶ Replace damaged protective equipment.

### **Climbing on and off**

Negligent behaviour while climbing on and off can cause people to fall off the ladder. People who climb onto the implement without using the intended access steps can slip, fall, and suffer severe injury. Dirt and operating materials can impair stepping and standing safety. Accidental actuation of control elements can unintentionally activate potentially dangerous functions.

- ▶ Use only the intended access steps.
- ▶ *To ensure safe stepping and standing:*  
Always keep steps and platforms clean and in proper condition.
- ▶ *When the implement is moving:*  
Never climb onto or off of the implement.
- ▶ Climb up and down facing the implement.
- ▶ When climbing up and down, maintain contact with at least 3 points on the steps and handrails: always keep 2 hands and one foot or 2 feet and one hand on the implement.
- ▶ When climbing up and down, never hold onto the control elements.
- ▶ When climbing down, never jump off of the implement.

## Intended use

# 3

CMS-T-00017249-A.1

- The implement is intended solely for professional use for soil tillage on agricultural crop lands according to Good Agricultural Practices.
- The implement is an agricultural implement to be mounted on the three-point power lift of a tractor that meets the technical requirements.
- With the slurry spreader implement equipment, the implement can be mounted and operated on a vacuum tanker and on a pump tanker.
- The implement is suitable and intended for shallow stubble cultivation or breaking up fallow land, for seedbed preparation and incorporating catch crops or farm manure.
- With the slurry spreader implement equipment, the implement is also suitable and intended for spreading and distributing natural fertilisers such as slurry or digestates.
- The implement can be used on fields with a soil strength of up to 3.0 MPa.
- When driving on public roads, the implement, depending on the provisions of the applicable road traffic regulations, can be mounted and transported at the rear of a tractor that meets the technical requirements.
- The implement may only be used and maintained by persons who fulfil the requirements. The personnel requirements are described in the section "*Personnel qualification*".
- The operating manual is part of the implement. The implement is solely intended for use in compliance with this operating manual. Uses of the implement that are not described in this operating manual can lead to serious personal injuries or even death and to implement and material damage.
- The applicable accident prevention regulations as well as generally accepted safety-related, occupational health and road traffic regulations must also be observed by the users and the owner.

### 3 | Intended use

---

- Further instructions for intended use in special cases can be requested from AMAZONE.
- Uses other than those specified under the intended use are considered as improper. The manufacturer is not liable for any damage resulting from improper use, solely the operator is responsible.

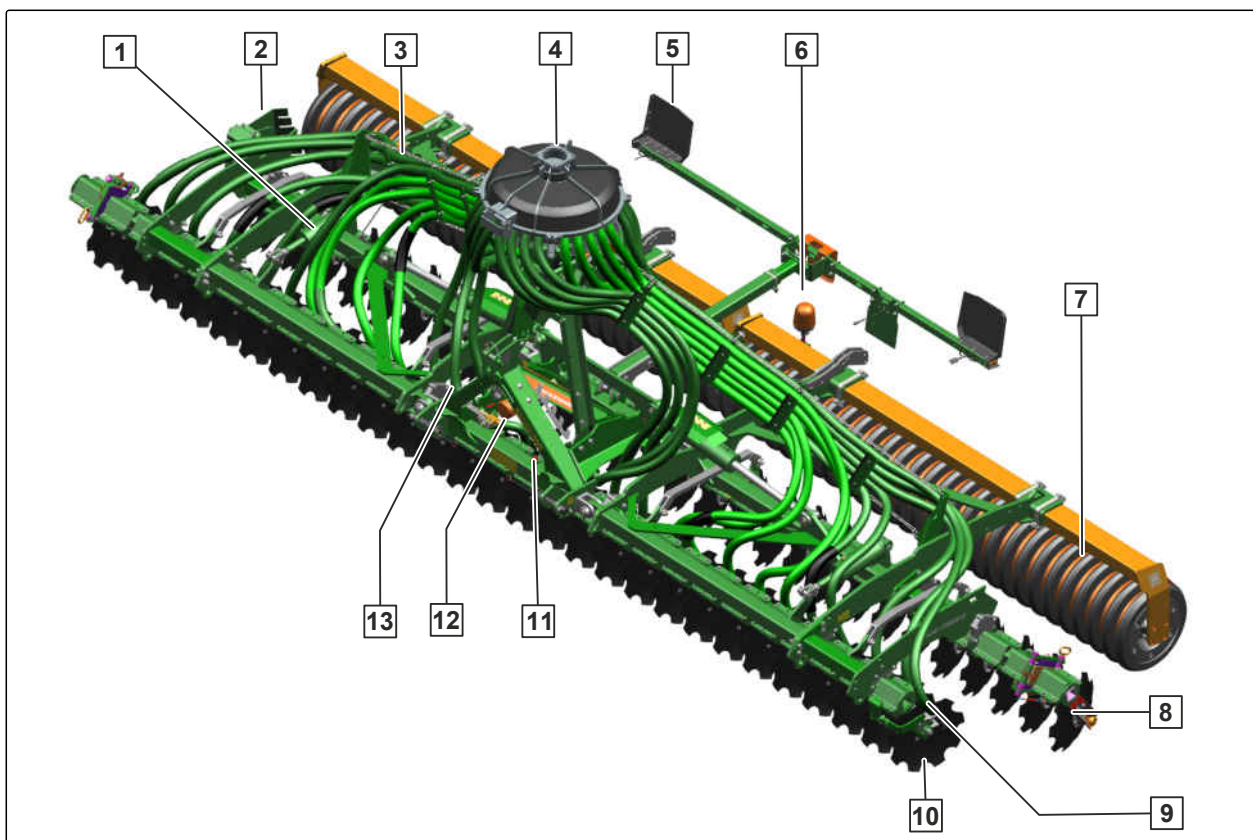
# Product description

# 4

CMS-T-00017260-B.1

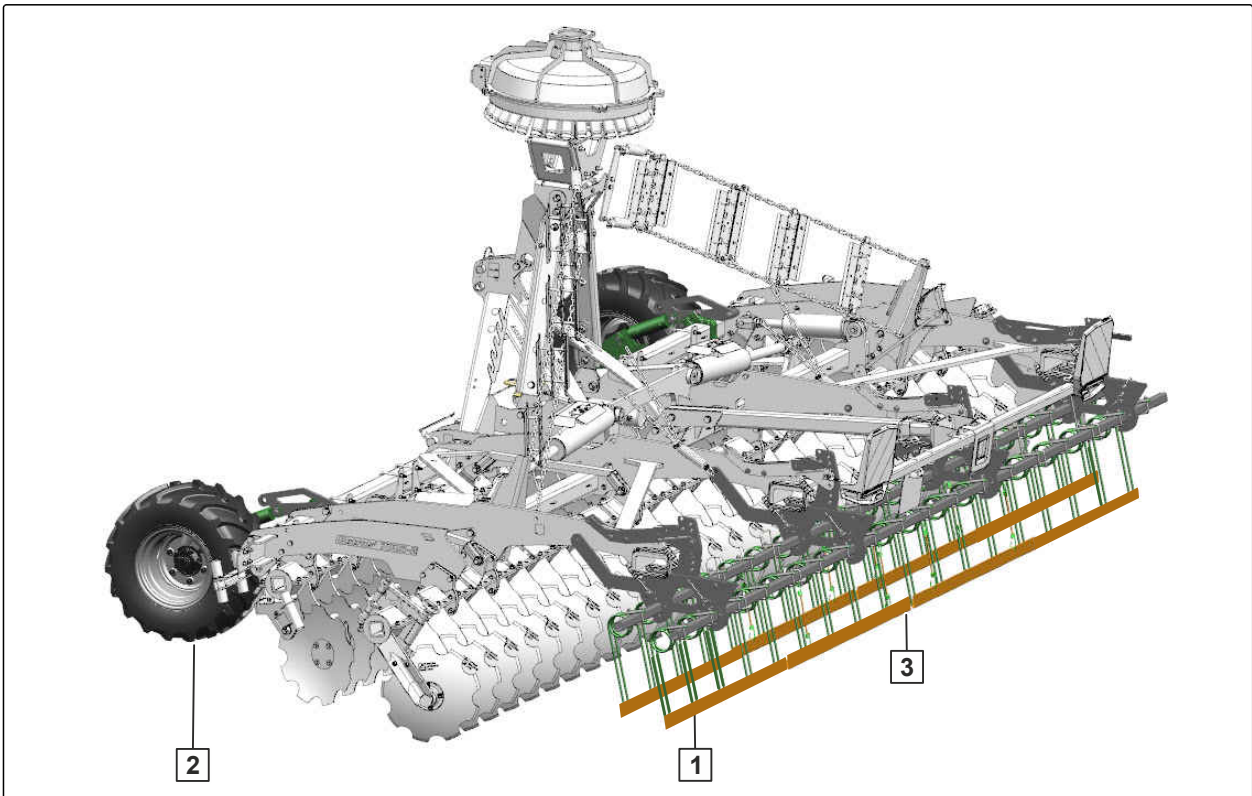
## 4.1 Implement overview

CMS-T-00017261-B.1



CMS-I-00011630

- |   |                              |
|---|------------------------------|
| <b>1</b> Working depth adjustment                         | <b>2</b> Side guide plate    |
| <b>3</b> Working depth indicator for the discs            | <b>4</b> Slurry spreader     |
| <b>5</b> Lighting and identification for road travel      | <b>6</b> Warning beacon      |
| <b>7</b> Roller   | <b>8</b> Side disc           |
| <b>9</b> Slurry spreading                                 | <b>10</b> Front discs        |
| <b>11</b> Spirit level                                    | <b>12</b> Threaded cartridge |
| <b>13</b> Rating plate and embossed identification number |                              |



CMS-I-00011785

- 1** Double harrow
- 2** Support wheels
- 3** Road safety bars

## 4.2 Function of the implement

CMS-T-00017330-A.1

The leading tool prepares the soil.

The disc gangs till and mix the soil.

The roller reconsolidates the soil.

The trailing element crumbles the soil and deposits cut-off plant residues on the soil surface.

The slurry spreader distributes natural fertiliser from a tanker to the individual discs of the front disc gang.

## 4.3 Special equipment

CMS-T-00017265-A.1

Special equipment is equipment that is not fitted on the implement or is only available in certain markets. The sales documents provide information on the equipment of your implement, or consult your dealer for more detailed information.

The following equipment is considered special equipment:

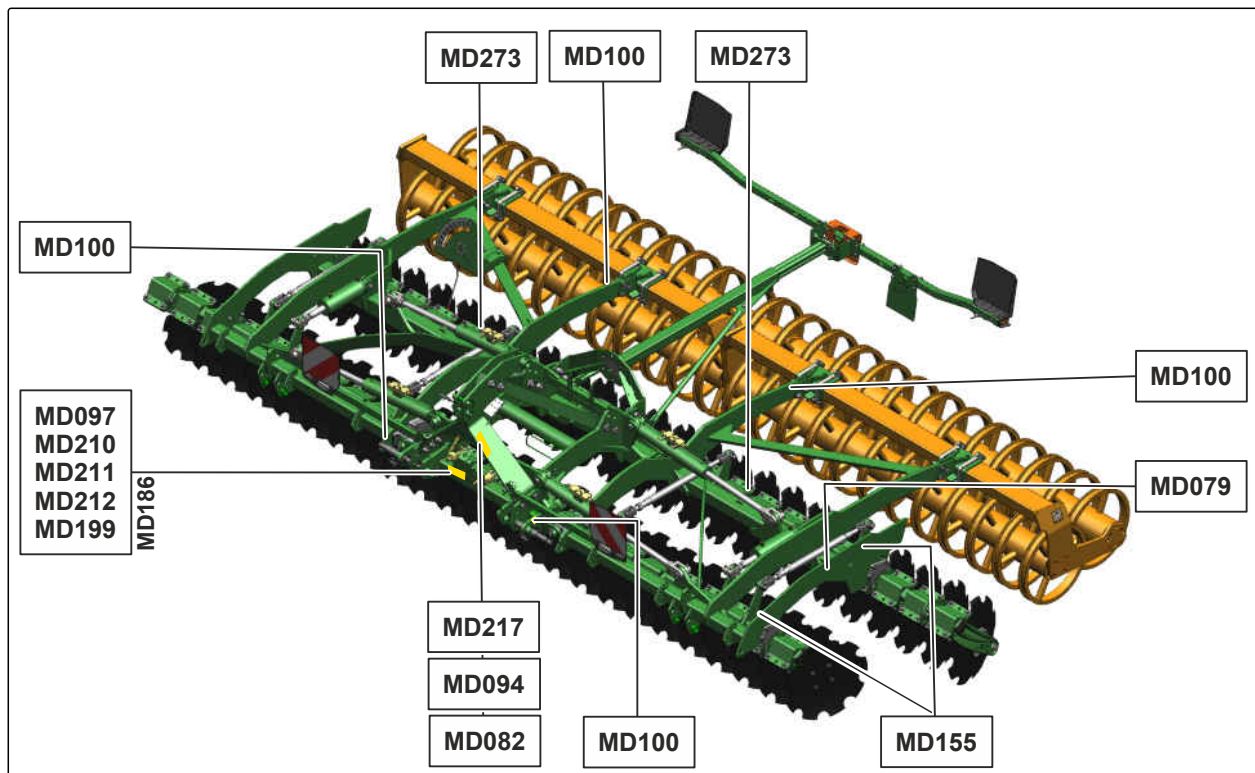
- Category 4 adapter frame
- Lighting and identification for road travel
- Double harrow
- Spring blade system
- Slurry spreader
- Clearer system
- Warning beacon
- Side guide plate
- Harrow system
- Support wheels
- Ballast weights
- Central lubrication

## 4.4 Warning symbols

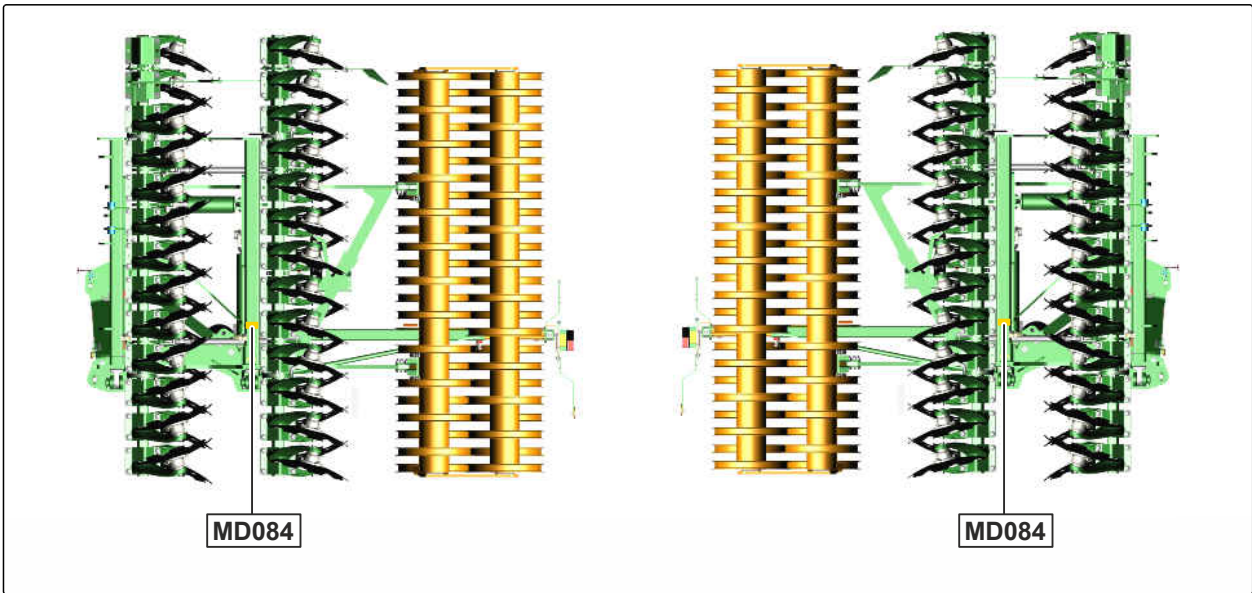
CMS-T-00017262-B.1

### 4.4.1 Positions of the warning symbols

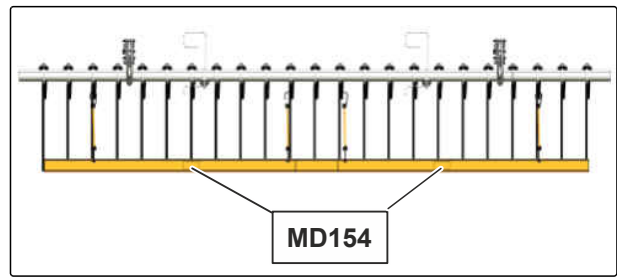
CMS-T-00017263-B.1



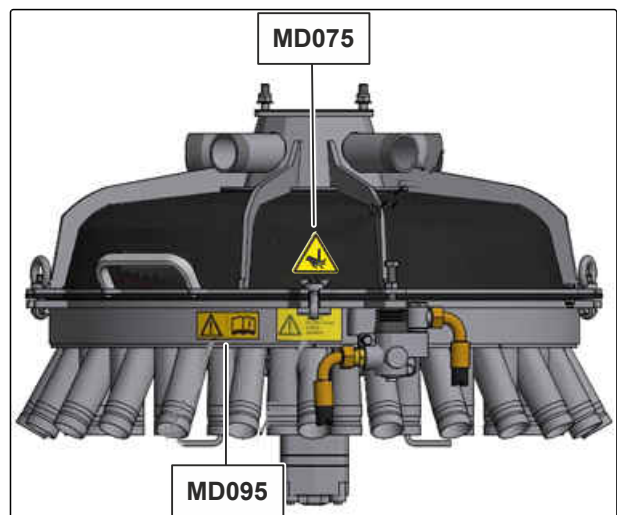
CMS-I-00003208



CMS-I-00003482

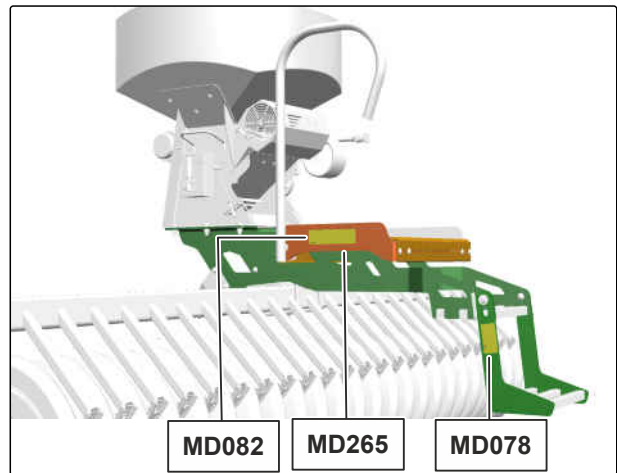


CMS-I-00007680



CMS-I-00011607





CMS-I-00008710

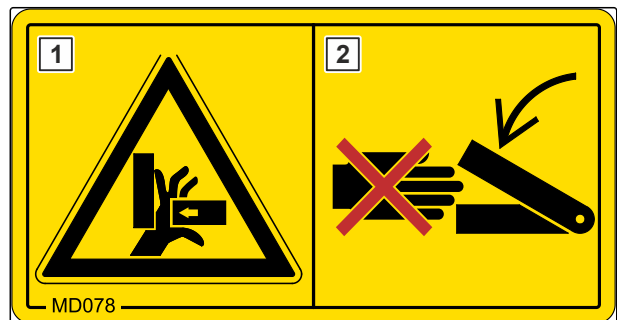
#### 4.4.2 Layout of the warning symbols

Warning symbols indicate danger areas on the machine and warn against residual dangers. In these danger areas, there are permanent or unexpected dangers.

A warning symbol consists of two fields:

- Field **1** shows the following:
  - A pictogram depicting the danger area, surrounded by triangular safety symbol
  - The order number
- Field **2** shows a pictogram depicting how to avoid the danger.

CMS-T-000141-D.1



CMS-I-00000416

#### 4.4.3 Description of the warning symbols

##### MD 075

##### Risk of cuts for fingers, hands, and arms

- ▶ Disconnect the power supply from the implement before approaching the danger zone.
- ▶ Wait until all moving parts are at a standstill before reaching into the danger area.
- ▶ Make sure that there is nobody standing in the danger area or close to the moving parts.

CMS-T-00017264-B.1

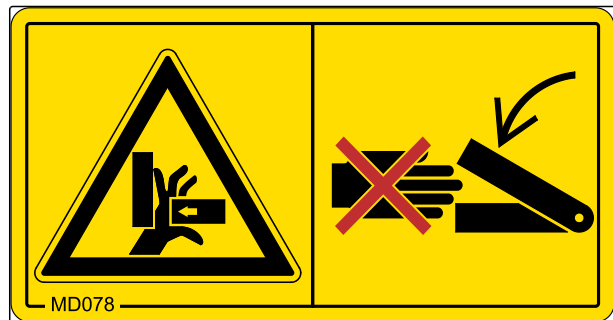


CMS-I-00000418

**MD 078**

**Risk of crushing fingers or hands**

- ▶ Disconnect the power supply from the implement before approaching the danger zone.
- ▶ Wait until all moving parts are at a standstill before reaching into the danger area.
- ▶ Make sure that there is nobody standing in the danger area or close to the moving parts.

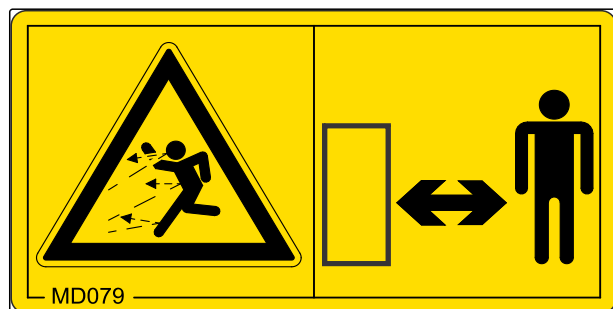


CMS-I-000074

**MD 079**

**Danger due to ejected material**

- ▶ Make sure that there is nobody standing in the danger area or close to the moving parts.

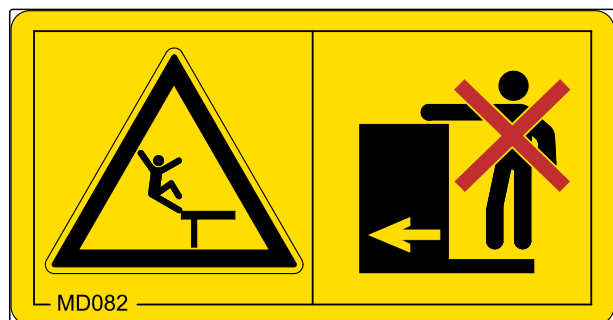


CMS-I-000076

**MD 082**

**Risk of falling from tread surfaces and platforms**

- ▶ Do not let anybody ride on the implement.
- ▶ Do not let anybody climb onto the driving implement.

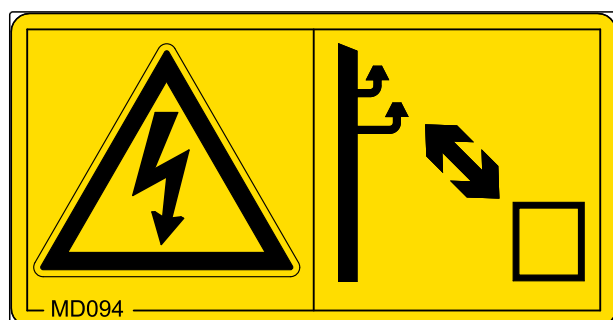


CMS-I-000081

**MD094**

**Danger due to transmission lines**

- ▶ Never touch transmission lines with the implement.
- ▶ Maintain an adequately safe distance from electrical transmission lines, especially when folding or unfolding implement parts.
- ▶ Please note that the voltage can flash over when the distance is too small.

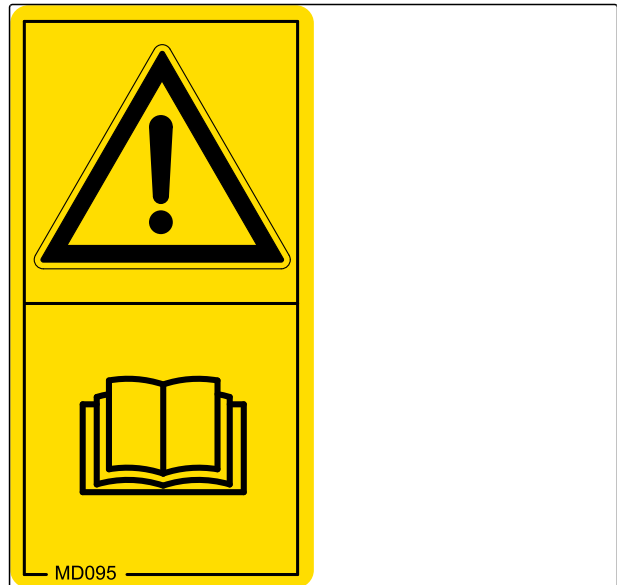


CMS-I-000692

**MD095**

**Risk of accident due to non-compliance with the instructions in this operating manual**

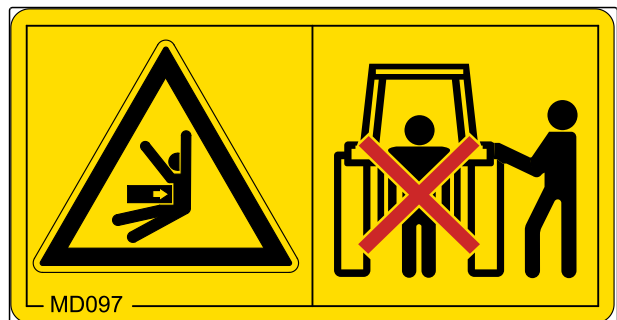
- ▶ Before your work on or with the implement, read and understand the operating manual.



**MD 097**

**Risk of crushing between the tractor and the implement**

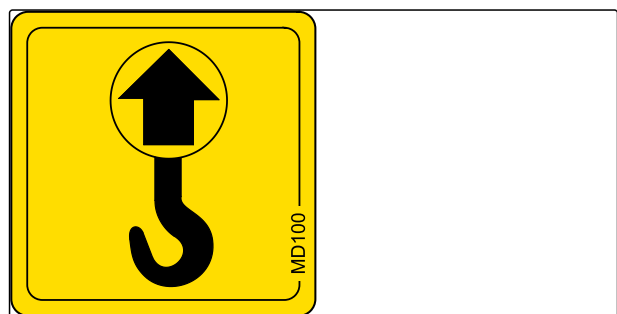
- ▶ *Before you actuate the tractor hydraulic system, instruct persons away from the area between the tractor and the implement.*
- ▶ Actuate the tractor hydraulic system only from the designated work station.



**MD 100**

**Risk of accidents due to improperly attached lifting gear**

- ▶ Only attach the lifting gear at the marked positions.



**MD 102**

**Danger due to unintentional starting as well as unintentional and uncontrolled movements of the implement**

- ▶ Before all tasks, secure the implement against unintentional starting as well as unintentional and uncontrolled movements.

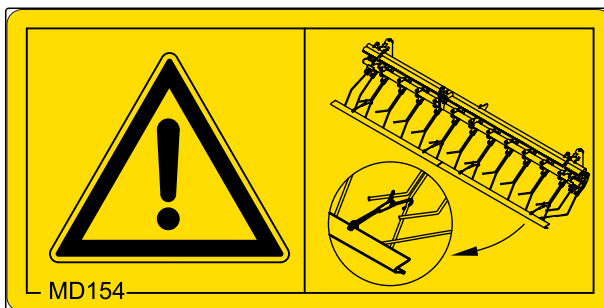


CMS-I-00002253

**MD 154**

**Risk of injury or even death due to unprotected seeding harrow tines**

- ▶ *Before driving on public roads,* put on the road safety bar as described in the operating manual.

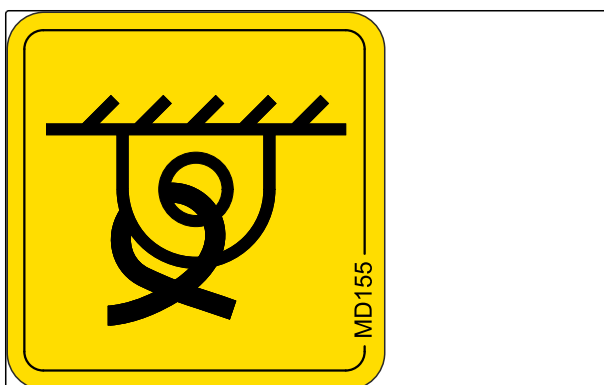


CMS-I-00003657

**MD 155**

**Risk of accident and machine damage during transport due to improperly secured machine**

- ▶ Only attach the lashing belts at the marked lashing positions for transporting the machine.

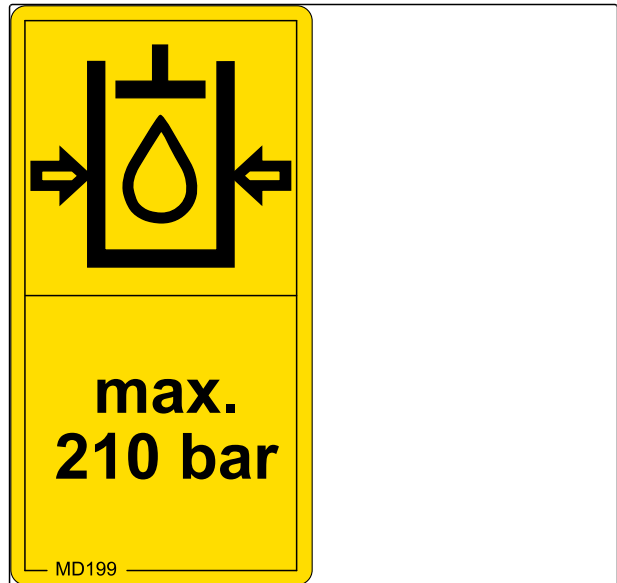


CMS-I-00000450

**MD 199**

**Risk of accident if the hydraulic system pressure is too high**

- ▶ Only couple the implement to tractors with a maximum tractor hydraulic pressure of 210 bar.

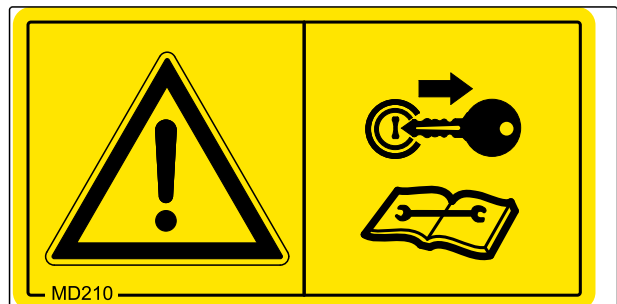


CMS-I-00000486

**MD210**

**Risk due to unintentional starting and unintentional rolling away of the implement**

- ▶ Before performing any work, secure the implement against unintentional starting and rolling away.

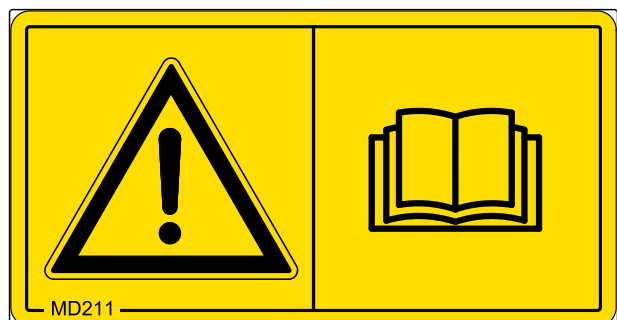


CMS-I-00002251

**MD211**

**Risk of accident due to non-compliance with the instructions in this operating manual**

- ▶ Before your work on or with the implement, read and understand the operating manual.

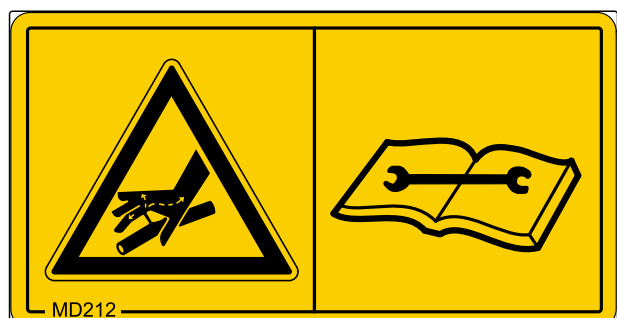


CMS-I-00003658

**MD212**

**Risk of infection from escaping hydraulic fluid under high pressure**

- ▶ Never look for leaks in hydraulic hose lines using your hand or fingers.
- ▶ Never attempt to plug leaks in hydraulic hose lines using your hand or fingers.
- ▶ *If you are injured by hydraulic oil, consult a doctor immediately.*

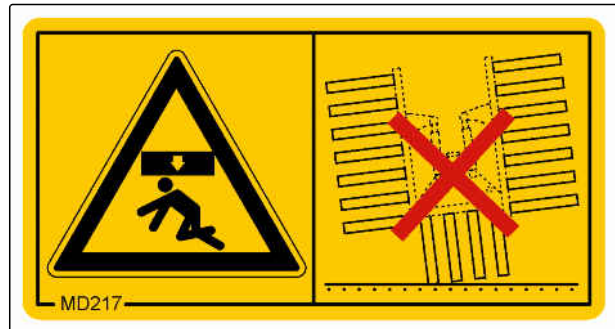


CMS-I-00004384

**MD 217**

**Danger due to the implement tipping over**

- ▶ Never park the implement in transport position.

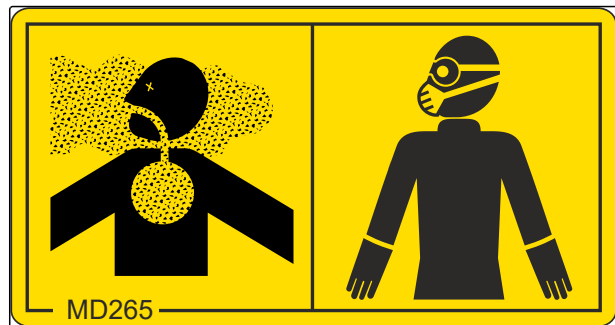


CMS-I-000141

**MD 265**

**Risk of chemical burns by dressing dust**

- ▶ Do not breathe in the harmful substance.
- ▶ Avoid contact with eyes and skin.
- ▶ Before working with hazardous materials, put on the protective clothing recommended by the manufacturer.



CMS-I-00003659

- ▶ Follow the manufacturer's safety instructions for handling harmful substances.

**MD 273**

**Risk of crushing for the whole body from lowering implement parts**

- ▶ Make sure that there is nobody standing in the danger area.



CMS-I-00004833

**Risk of injury**

- ▶ Before opening the slurry spreader, turn off the drive.



CMS-I-00011608

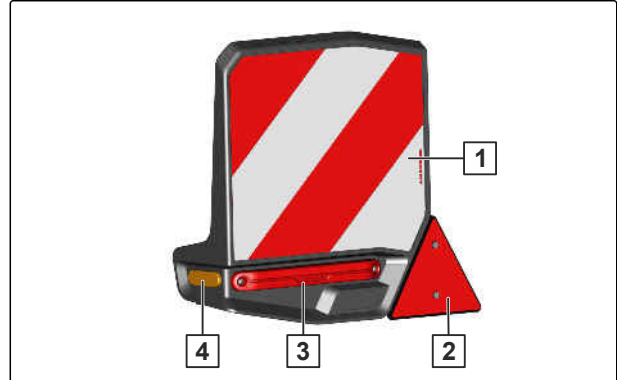
## 4.5 Lighting and identification for road travel

CMS-T-00009969-B.1

### 4.5.1 Rear lighting and identification

CMS-T-00009970-B.1

- 1 Warning signs
- 2 Reflector, red
- 3 Rear lights, brake lights, and turn indicators
- 4 Reflector, yellow



CMS-I-00003575

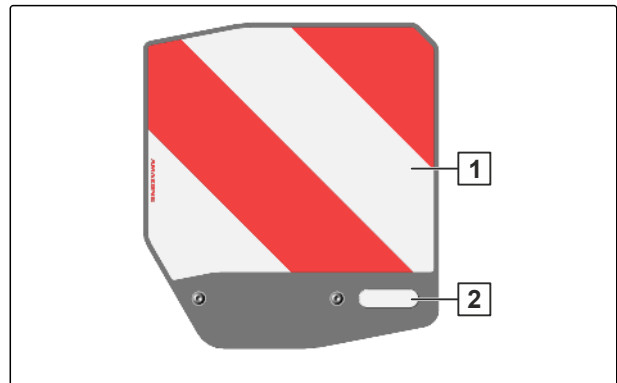
#### **i** NOTE

The lighting and identification for road travel can vary depending on the national regulations.

### 4.5.2 Front lighting and identification

CMS-T-00009971-B.1

- 1 Warning signs
- 2 Reflector, white



CMS-I-00004522

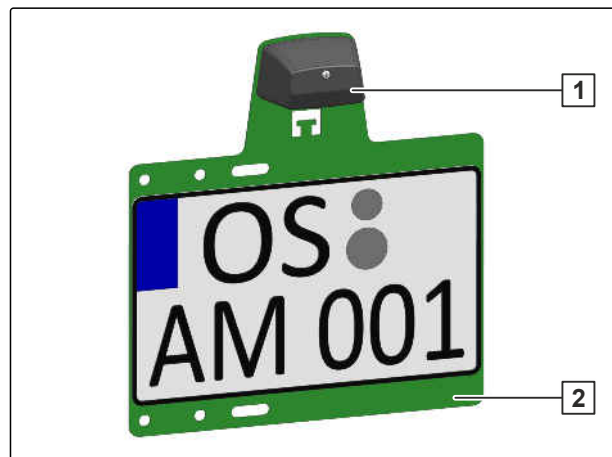
#### **i** NOTE

The lighting and identification for road travel can vary depending on the national regulations.

### 4.5.3 Additional license plate

CMS-T-00003999-C.1

- 1 Licence plate lighting
- 2 Licence plate holder

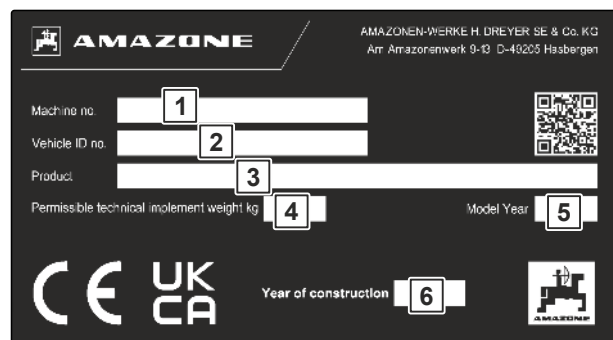


CMS-I-00003163

## 4.6 Rating plate on the implement

CMS-T-00004505-J.1

- 1 Implement number
- 2 Vehicle ID number
- 3 Product
- 4 Permissible technical implement weight
- 5 Model year
- 6 Year of manufacture



CMS-I-00004294

## 4.7 Threaded cartridge

CMS-T-00001776-E.1

The threaded cartridge contains the following items:

- Documents
- Aids



CMS-I-00002306

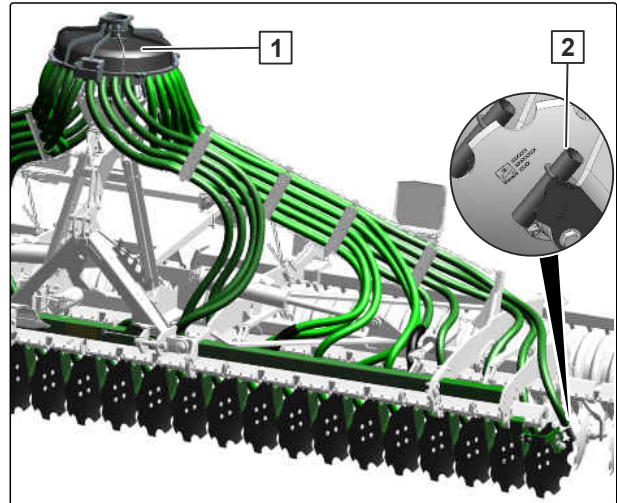


## 4.8 Slurry spreader and slurry spreading

CMS-T-00017267-B.1

The slurry spreader chops and distributes the filled natural fertiliser.

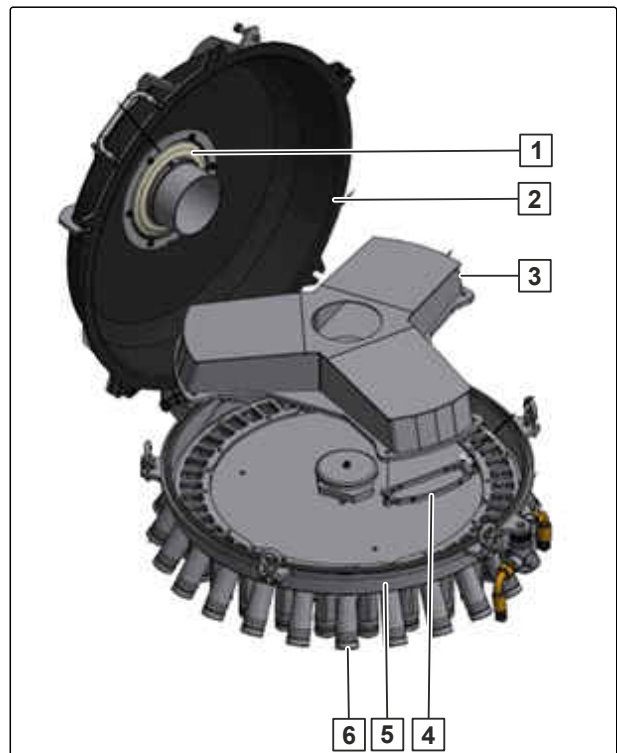
- 1 Slurry spreader
- 2 Slurry spreading



CMS-I-00011606

**Components of the slurry spreader:**

- 1 Diaphragm
- 2 Cover
- 3 Rotor
- 4 Cutting blade
- 5 Housing
- 6 Outlet fitting



CMS-I-00011764

## 4.9 GreenDrill pack top seed drill

CMS-T-000196-G.1

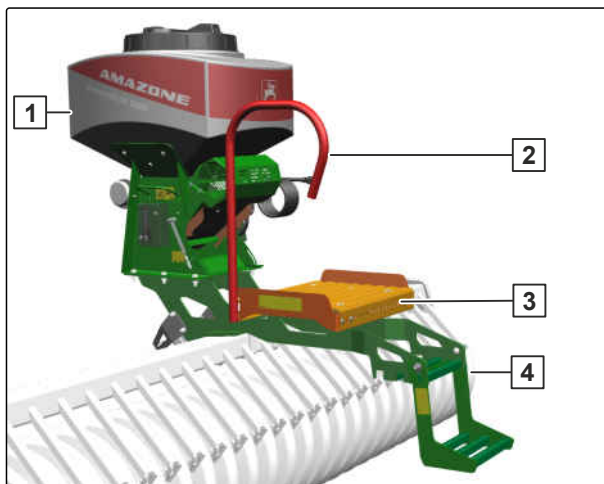
The GreenDrill pack top seed drill enables the seeding of fine seeds and catch crops.

#### 4 | Product description

##### GreenDrill pack top seed drill

---

- 1 Hopper
- 2 Handrail
- 3 Loading board
- 4 Folding step



CMS-I-00010250

## Technical data

# 5

CMS-T-00017251-A.1

### 5.1 Dimensions

CMS-T-00017252-A.1

Catros	5003-2	6003-2	7003-2
Working width	5 m	6 m	7
Transport height	2.9 m	3.4 m	3.9 m
Transport width	3 m		
Total length	2.8 m		
Centre of gravity distance	0.95 m		

### 5.2 Soil tillage tools

CMS-T-00017269-A.1

Catros	5003-2	6003-2	7003-2
Disc thickness	5 mm		
Disc spacing	25 cm		
Disc diameter	51 cm		
Working depth	5-14 cm		

Catros	5003-2	6003-2	7003-2
<b>X-Cutter disc</b>			
Disc thickness	5 mm		
Disc spacing	25 cm		
Disc diameter	48 cm		
Working depth	2-8 cm		

### 5.3 Slurry spreader

CMS-T-00017271-A.1

Permissible medium temperature	0-45 °C
Maximum operating pressure in the slurry spreader	0.5 bar
Optimum volume flow of the hydraulic motor	35-55 l/min
Maximum volume flow of the hydraulic motor	60 l/min
Diameter of the inlet fitting	DN 150
Diameter of the outlet fitting	DN 50
Weight	109 kg
Hydraulic motor	200 cm <sup>3</sup> /rev
Maximum speed during continuous operation	300 1/min

### 5.4 Permitted mounting categories

CMS-T-00004394-B.1

Standard three-point mounting frame	Category 3 and Category 4N
Category 4 adapter frame	Category 4

### 5.5 Forward speed

CMS-T-00002294-E.1

Optimal working speed	12-18 km/h
Permissible transport speed	60 km/h

### 5.6 Performance characteristics of the tractor

CMS-T-00017270-A.1

Catros	5003-2	6003-2	7003-2
Engine rating	Starting at 110 kW/155 hp	Starting at 130 kW/180 hp	Starting at 154 kW/210 hp

Electrical system	
Battery voltage	12 V
Lighting socket	7-pin

<b>Hydraulic system</b>	
Maximum operating pressure	210 bar
Tractor pump output	at least 15 l/min at 150 bar
Implement hydraulic oil	HLP68 DIN51524 The hydraulic fluid is suitable for the combined hydraulic fluid circuits of all standard tractor brands.
Control units	Depending on the implement equipment For folding sections, a lockable tractor control unit is required as a tractor-side protective device.

## 5.7 Noise development data



CMS-T-00002296-D.1



The workplace-related emission sound pressure level is lower than 70 dB(A), measured in operating condition at the ear of the tractor driver with the cab closed.

The emission sound pressure level mainly depends on the vehicle used.

## 5.8 Drivable slope inclination

CMS-T-00002297-E.1

<b>Across the slope</b>		
On left in direction of travel	15 %	
On right in direction of travel	15 %	

<b>Up the slope and down the slope</b>		
Up the slope	15 %	
Down the slope	15 %	

## 5.9 Lubricants

CMS-T-00002396-B.1

<b>Manufacturer</b>	<b>Lubricant</b>
ARAL	Aralub HL2
FINA	Marson L2
ESSO	Beacon 2
SHELL	Retinax A

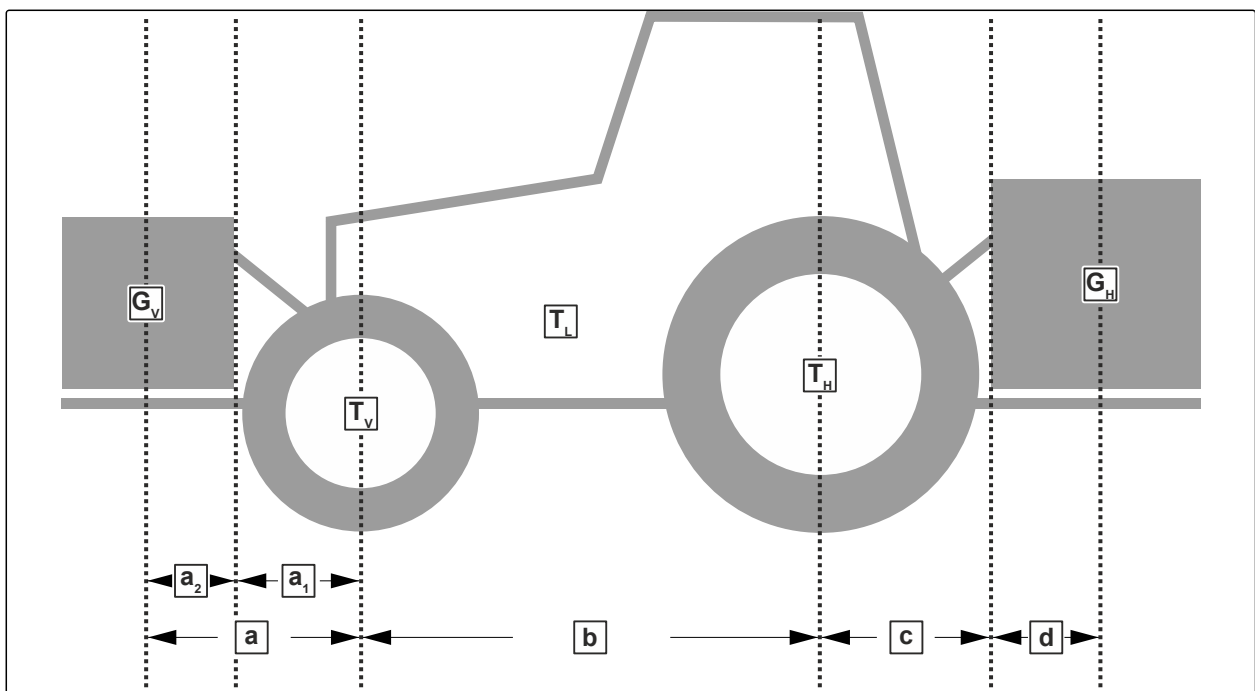
# Preparing the machine

# 6

CMS-T-00017253-B.1

## 6.1 Calculating the required tractor characteristics

CMS-T-00000063-F.1



CMS-I-00000581

Designation	Unit	Description	Calculated values
$T_L$	kg	Tractor empty weight	
$T_V$	kg	Front axle load of the operational tractor without mounted implement or ballast weights	
$T_H$	kg	Rear axle load of the operational tractor without mounted implement or ballast weights	
$G_V$	kg	Total weight of front-mounted implement or front ballast	
$G_H$	kg	Permissible total weight of rear-mounted implement or rear ballast	
$a$	m	Distance between the centre of gravity of the front-mounted implement or the front ballast and the centre of the front axle	

**6 | Preparing the machine**  
**Calculating the required tractor characteristics**

Designation	Unit	Description	Calculated values
a <sub>1</sub>	m	Distance between the centre of the front axle and the centre of the lower link connection	
a <sub>2</sub>	m	Centre of gravity distance: Distance between the centre of gravity of the front-mounted implement or the front ballast and the centre of the lower link connection	
b	m	Wheelbase	
c	m	Distance between the centre of the rear axle and the centre of the lower link connection	
d	m	Centre of gravity distance: Distance between the centre of the lower link coupling point and centre of gravity of the rear-mounted implement or rear ballast.	

1. Calculate the minimum front ballasting.

$$G_{Vmin} = \frac{G_H \cdot (c + d) - T_V \cdot b + 0,2 \cdot T_L \cdot b}{a + b}$$

G<sub>Vmin</sub> = \_\_\_\_\_

G<sub>Vmin</sub> =

CMS-I-00000513

2. Calculate the actual front axle load.

$$T_{Vtat} = \frac{G_V \cdot (a + b) + T_V \cdot b - G_H \cdot (c + d)}{b}$$

T<sub>Vtat</sub> = \_\_\_\_\_

T<sub>Vtat</sub> =

CMS-I-00000516



3. Calculate the actual total weight of the tractor-implement combination.

$$G_{tat} = G_V + T_L + G_H$$

$$G_{tat} =$$

$$G_{tat} =$$

CMS-I-00000515

4. Calculate the actual rear axle load.

$$T_{Htat} = G_{tat} - T_{Vtat}$$

$$T_{Htat} =$$

$$T_{Htat} =$$

CMS-I-00000514

5. Determine the tyre load capacity for two tractor tyres in the manufacturer specifications.
6. Write down the determined values in the following table.



### IMPORTANT

**Danger of accident due to implement damage caused by excessive loads**

- Make sure that the calculated loads are smaller or equal to the permissible loads.

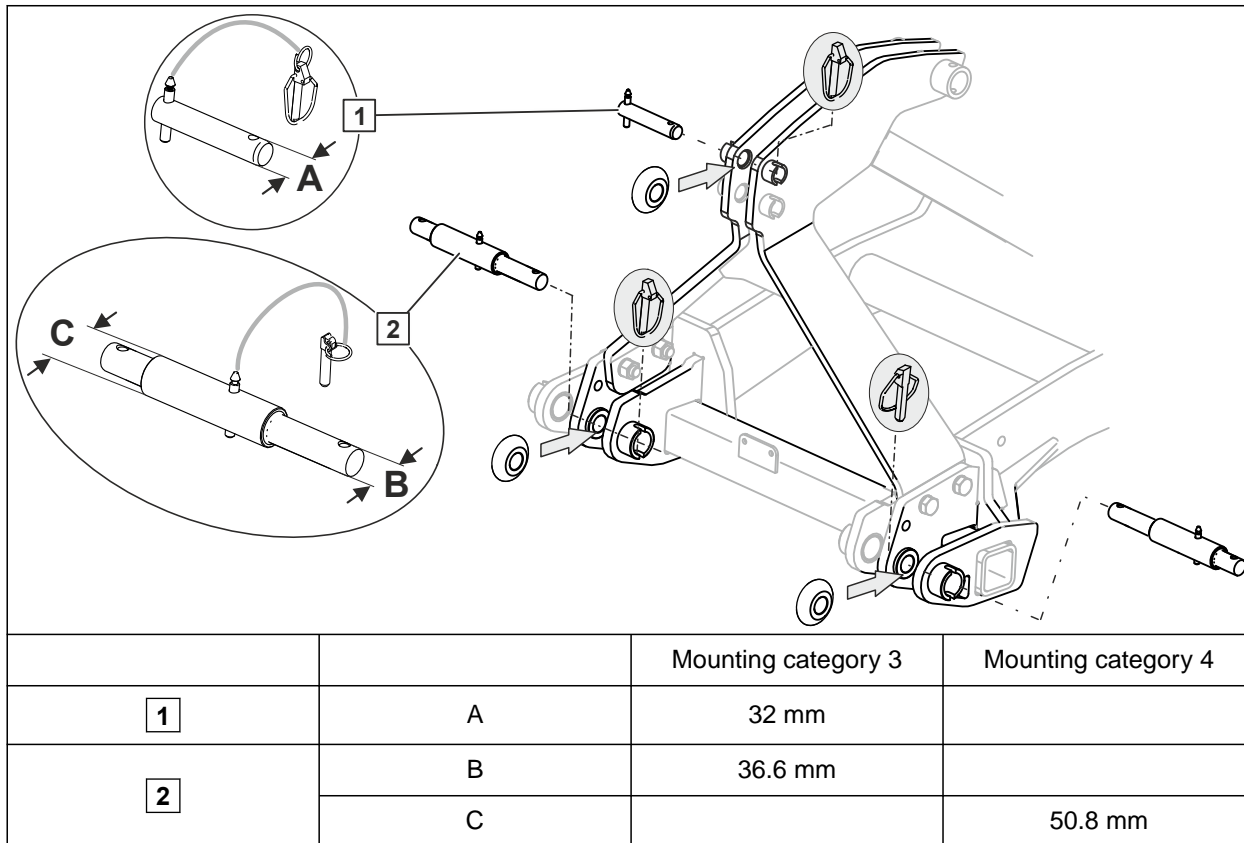
	Actual value according to calculation			Permitted value according to tractor operating manual			Tyre load capacity for two tractor tyres	
Minimum front ballasting		kg	≤		kg		-	-
Total weight		kg	≤		kg		-	-
Front axle load		kg	≤		kg	≤		kg
Rear axle load		kg	≤		kg	≤		kg

## 6.2 Adjusting the three-point mounting frame

CMS-T-00004764-D.1

### 6.2.1 Adjusting the three-point mounting frame for mounting category 3

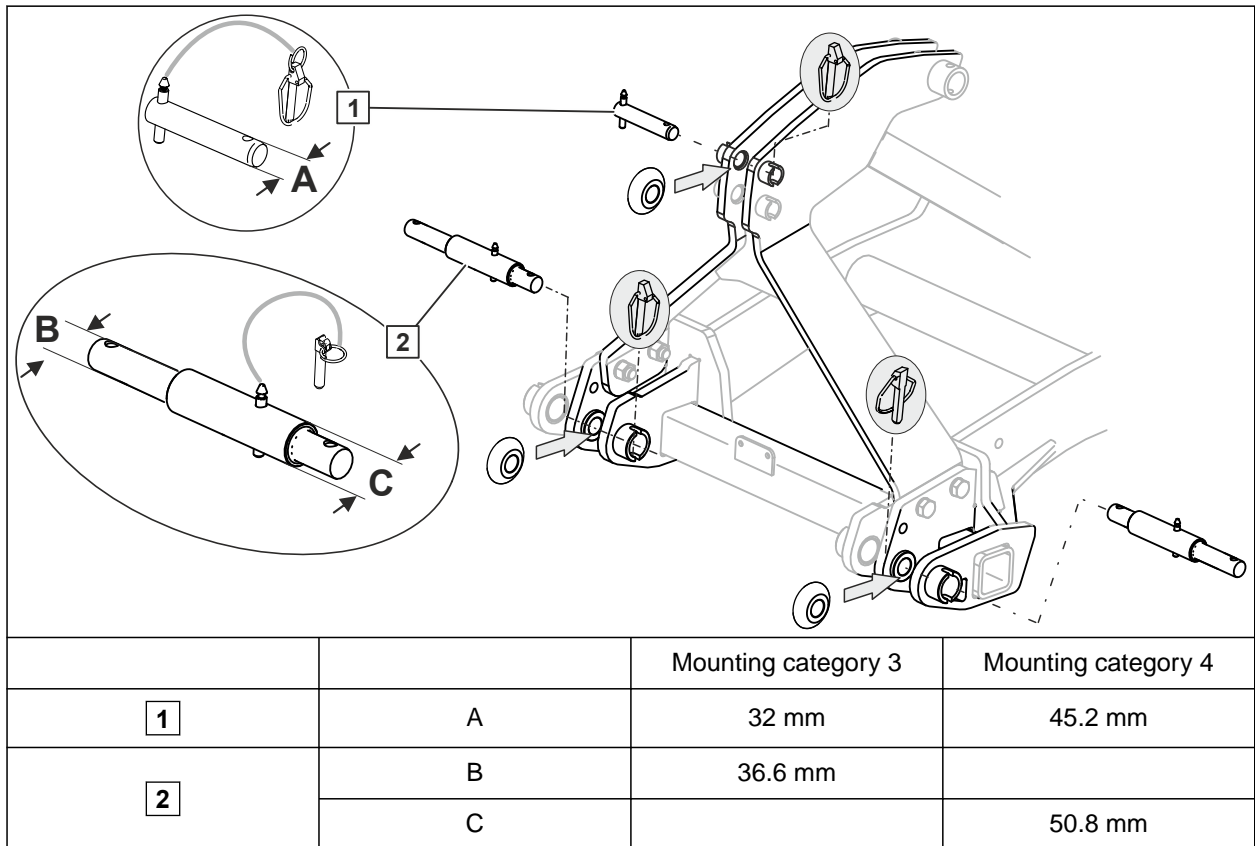
CMS-T-00004424-D.1



1. Install the ball sleeve with the top link pin **1**.
2. Secure the top link pin with a linch pin.
3. Install the ball sleeves with lower link pins **2** from the side shown.
4. Secure the lower link pins with linch pins.

### 6.2.2 Adjusting the three-point mounting frame for mounting category 4

CMS-T-00004423-D.1



1. Install the ball sleeve with the top link pin **1**.
2. Secure the top link pin with a linch pin.
3. Install the ball sleeves with lower link pins **2** from the side shown.
4. Secure the lower link pins with linch pins.

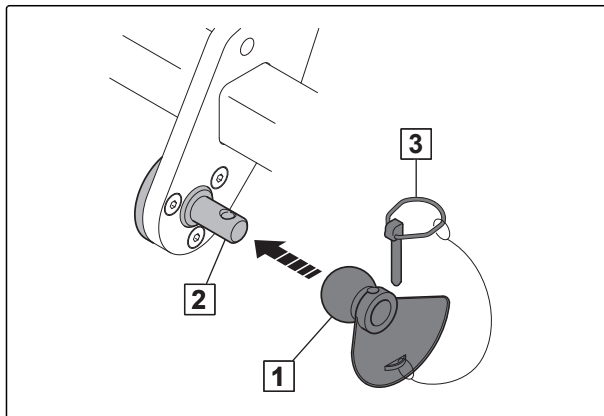
## 6.3 Coupling the implement

CMS-T-00017254-A.1

### 6.3.1 Attaching the backstop profiles for the lower links

CMS-T-00001398-A.1

1. Put the backstop profiles **1** on the lower link pins **2**.
2. Secure the backstop profiles with the linch pin **3**.



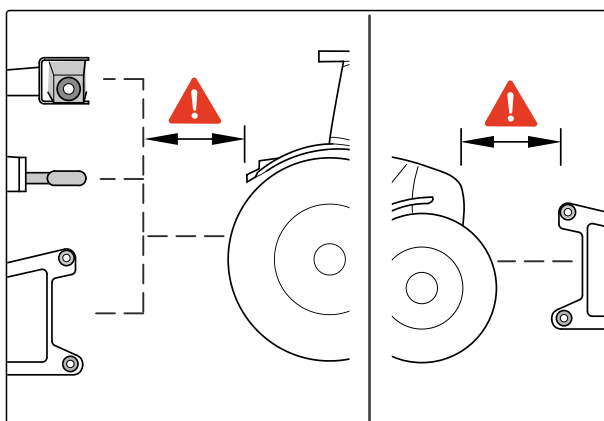
CMS-I-00001219

### 6.3.2 Driving the tractor towards the implement

CMS-T-00005794-D.1

Enough space must remain between the tractor and implement so that the supply lines can be coupled without obstructions.

- ▶ Drive the tractor towards the implement, leaving a sufficient distance.



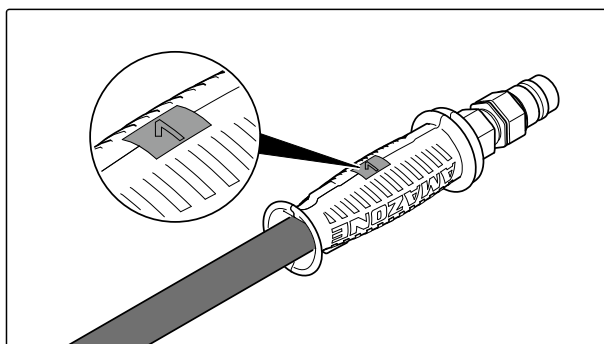
CMS-I-00004045

### 6.3.3 Coupling the hydraulic hose lines




CMS-T-00017255-A.1


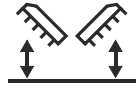



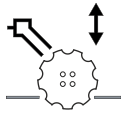







All hydraulic hoses are equipped with handles. The handles have colour markings with a code number or a code letter. The markings are assigned to the respective hydraulic functions of the pressure line of a tractor control unit. Stickers are applied on the implement for the markings, which illustrate the respective hydraulic functions.

The tractor control unit is used with different types of actuation, depending on the hydraulic function:



CMS-I-00000121

Type of actuation	Function	Symbol
Latching	Permanent oil circulation	
Momentary	Oil circulation until action is executed	
Floating	Free oil flow in the tractor control unit	

Designation		Function			Tractor control unit	
Blue			Section	Fold	Double-acting lockable	
				Unfold		
Green			Working depth of the concave discs	Increase	Double-acting	
				Reduce		
Red			Slurry spreader	running	Double-acting	
				Return flow		
Red			Leakage oil line			



#### NOTE

Maximum pressure in the return flow line: 15 bar

Maximum pressure in the leakage oil line: 2 bar



#### WARNING

##### Risk of injury or even death

If the hydraulic hose lines are incorrectly connected, the hydraulic functions may be faulty.

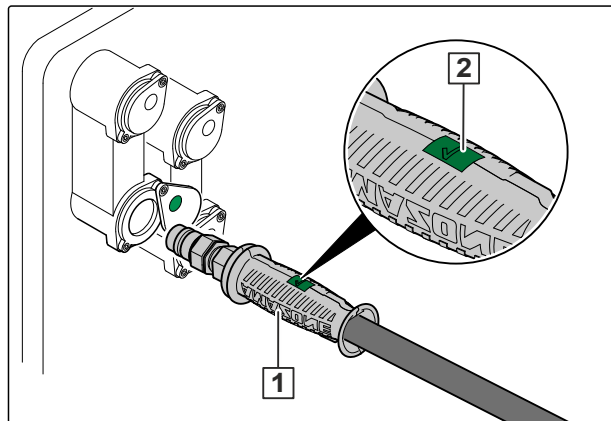
- ▶ When coupling the hydraulic hose lines, observe the coloured markings on the hydraulic plugs.

1. Depressurise the hydraulic system between the tractor and the implement using the tractor control unit.
2. Clean the hydraulic plugs.

## 6 | Preparing the machine

### Coupling the implement

3. Couple the hydraulic hose lines **1** to the hydraulic sockets of the tractor according to the marking **2**.
- ➔ The hydraulic plugs lock perceptibly.
4. Route the hydraulic hose lines with sufficient freedom of movement and without chafing points.

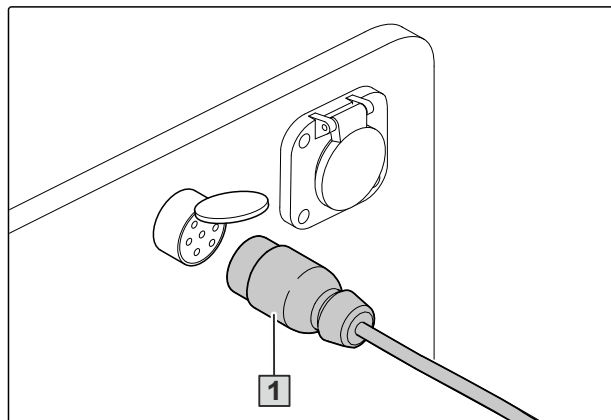


CMS-I-00001045

### 6.3.4 Coupling the power supply

1. Insert the plug **1** for the power supply.
2. Route the power supply cable with sufficient freedom of movement and without chafing or pinching points.
3. Check the lighting on the implement for proper function.

CMS-T-00001399-G.1

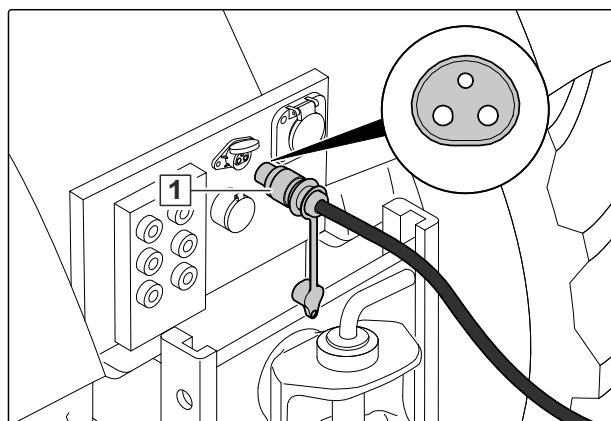


CMS-I-00001048

### 6.3.5 Coupling the power supply for the central lubrication

1. Connect the plug **1** for the power supply to the central lubrication.

CMS-T-00006309-C.1



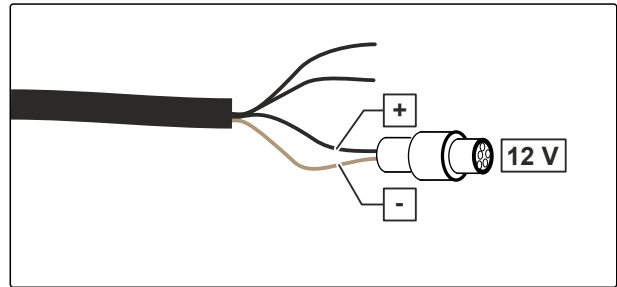
CMS-I-00004518

2. If a different plug is used, connected the lines as shown.

**i** NOTE

- **+** Black
- **-** Brown

The direction of rotation of the pump must match with the arrow on the tank.

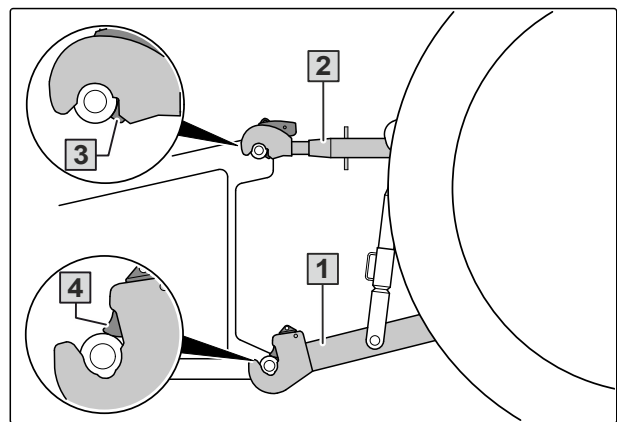


CMS-I-00004517

### 6.3.6 Coupling the three-point mounting frame

CMS-T-00001400-H.1

1. Set the lower link **1** at the same height.
2. Couple the lower links from the tractor seat.
3. Couple the top link **2**.
4. Check whether the top link catch hooks **3** and lower link catch hooks **4** are correctly locked.



CMS-I-00001225

### 6.3.7 Aligning the implement horizontally

CMS-T-00003221-E.1

A spirit level is attached to the implement frame. The spirit level shows the alignment of the implement in the direction of travel.

1. Drive the tractor and implement onto a level surface.
2. Align the implement horizontally using the top link.

## 6.4 Installing the supply hose on the slurry spreader

CMS-T-00017272-A.1



### WARNING

**Risk of falling from higher positions on the implement**

- ▶ *To perform work on the slurry spreader:*  
Use suitable ascents, such as a scaffolding or a ladder.
- ▶ *Before performing work on the slurry spreader:*  
Place the ascents in a stable position.

1. *To ensure that the supply hose has enough play when the cover is open:*  
Make sure that the supply hose is long enough.
2. Install the supply hose with the adapter installed by the customer on the square flange of the filling fitting.



### IMPORTANT

**Risk of breaking of the slurry spreader**

- ▶ Install the supply hose without tension.

## 6.5 Preparing the implement for operation

CMS-T-00017310-B.1

### 6.5.1 Unfolding the sections

CMS-T-00004426-E.1

1. Completely raise the implement.
  2. Actuate the "blue" tractor control unit.
- ➔ The sections unfold.
3. Unfold the sections up to the end position.



## 6.5.2 Adjusting the trailing elements

CMS-T-00017318-A.1

### 6.5.2.1 Adjusting the harrow system 12-125 HI

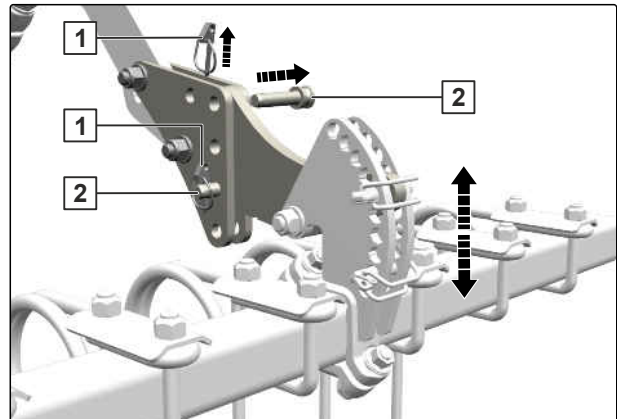
CMS-T-00012142-B.1

#### 6.5.2.1.1 Adjusting the height of the harrow system 12-125 HI

CMS-T-00012144-A.1

Four height settings can be pegged with the two pins on the adjustment units.

1. Secure the harrow with suitable lifting gear and slings against lowering.
2. Pull out the linch pins **1** from the two pins **2**.
3. Pull out the two pins.
4. Remove the pins on the second adjustment unit in the same way.
5. Lift or lower the harrow to the desired height.
6. Secure the setting with the pins.
7. Secure the pins with the linch pins.

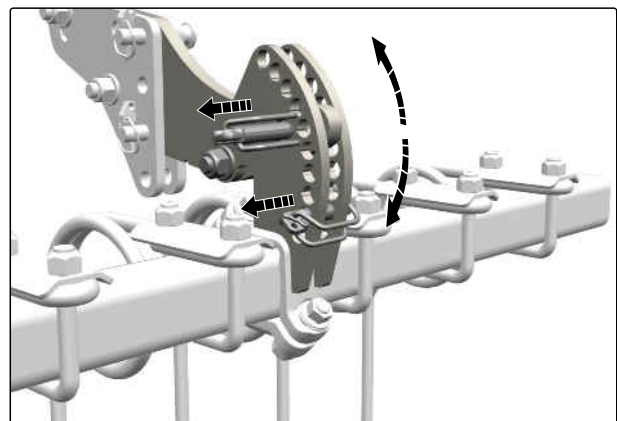


CMS-I-00007854

#### 6.5.2.1.2 Adjusting the tilt of the harrow system 12-125 HI

CMS-T-00012143-B.1

1. Pull out the both linch pins on both adjustment units.
2. Turn the harrow to the desired position.

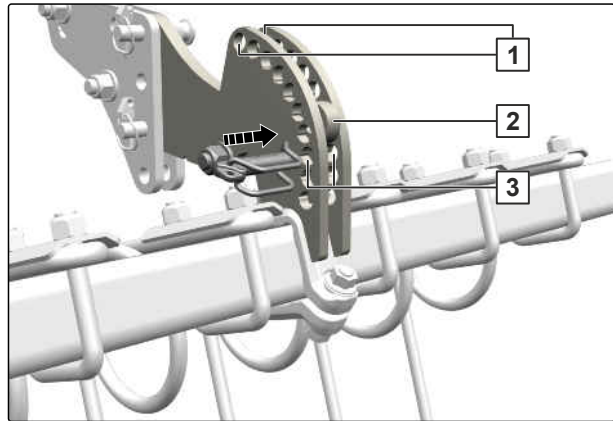


CMS-I-00007852

## 6 | Preparing the machine

### Preparing the implement for operation

3. Insert a lynch pin through each of the holes **3** directly below the bracket **2**.
4. Park the second lynch pin in each of the topmost holes **1**.



CMS-I-00007853

#### 6.5.2.2 Adjusting harrow system 12-125 HI KWM/DW

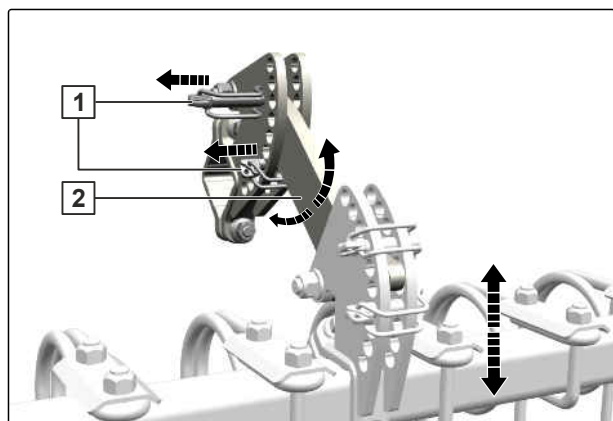
CMS-T-00012148-B.1

##### 6.5.2.2.1 Adjusting the height of harrow system 12-125 HI KWM/DW

CMS-T-00012150-A.1

Six height settings can be pegged with the two lynch pins on the adjustment units.

1. Pull out the both lynch pins **1** on both adjustment units.
2. Lift or lower the harrow to the desired height.
3. Insert a lynch pin through each of the holes directly above the bracket **2**.

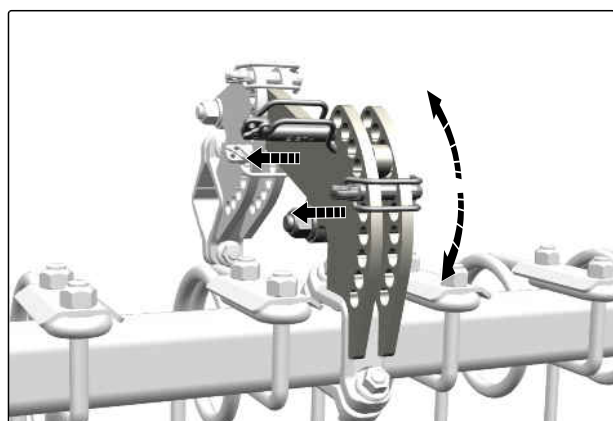


CMS-I-00007870

##### 6.5.2.2.2 Adjusting the tilt of harrow system 12-125 HI KWM/DW

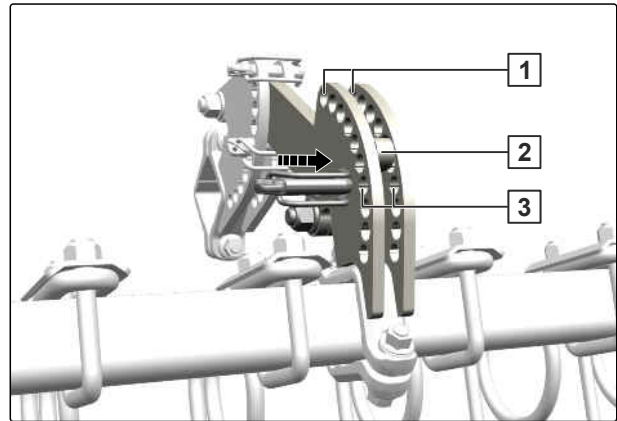
CMS-T-00012149-B.1

1. Pull out the both lynch pins on both adjustment units.
2. Turn the harrow to the desired position.



CMS-I-00007866

3. Insert a linch pin through each of the holes **3** directly below the bracket **2**.
4. Park the second linch pin in each of the topmost holes **1**.



CMS-I-00007869

### 6.5.2.3 Adjusting the harrow system 12-250 HI

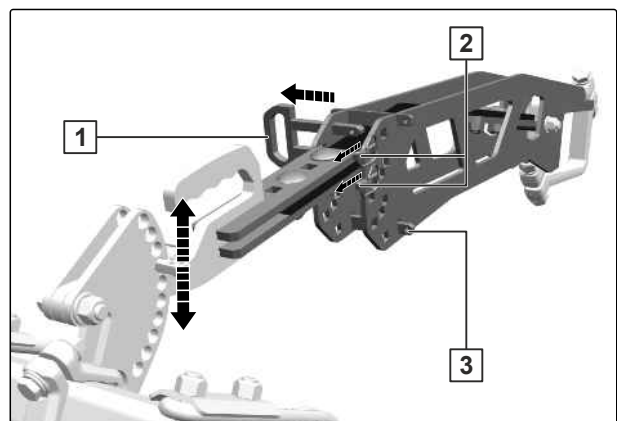
CMS-T-00012163-B.1

#### 6.5.2.3.1 Adjusting the height of the harrow system 12-250 HI

CMS-T-00012166-A.1

Five height settings can be pegged with the double pin on the adjustment units.

1. On both adjustment units, pull the two linch pins **2** out of the double pin **1** and insert them in the parking positions **3**.
2. Pull out the double pin.
3. Lift or lower the harrow to the desired height.
4. Secure the setting with the double pins.
5. Pull the linch pins out of the parking position and secure the double pin with the linch pins.

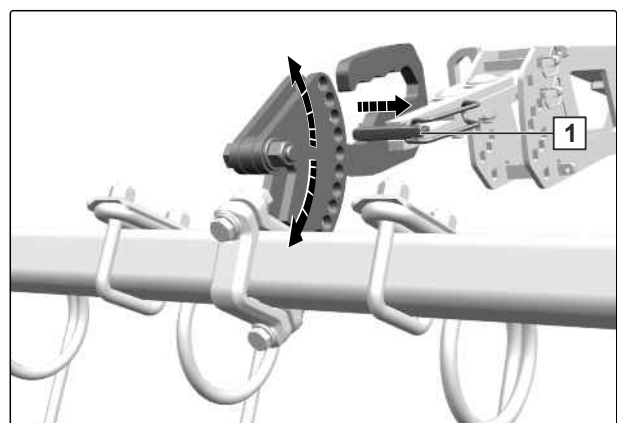


CMS-I-00007880

#### 6.5.2.3.2 Adjusting the tilt of the harrow system 12-250 HI

CMS-T-00012164-B.1

1. Pull out the the linch pins **1** on both adjustment units.
2. Turn the harrow to the desired position.

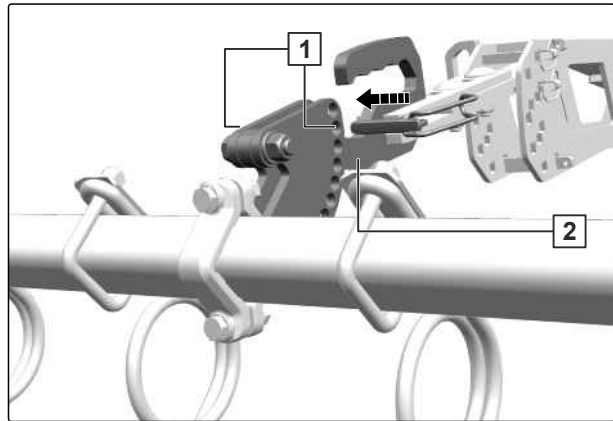


CMS-I-00007871

## 6 | Preparing the machine

### Preparing the implement for operation

3. Insert a lynch pin through each of the holes **1** directly above the bracket **2**.



CMS-I-00007874

#### 6.5.2.4 Adjusting the double harrow

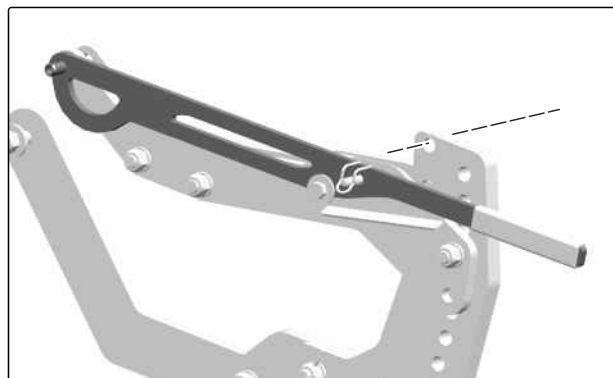
CMS-T-00017319-A.1

##### 6.5.2.4.1 Adjusting the height of the double harrow

CMS-T-00017320-A.1

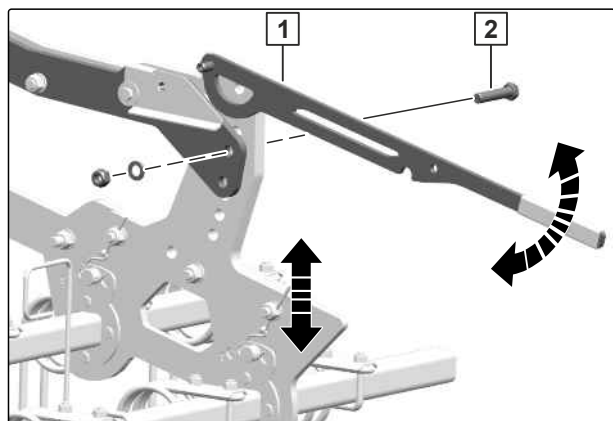
The double harrows can be pegged at different height settings.

1. Take the setting lever out of the parking position.



CMS-I-00011765

2. Loosen the bolt **2**.
3. Put the setting lever **1** on the double harrow.
4. Lift or lower the harrow to the desired height.
5. Fasten the bolts **2**.
6. Repeat the setting on all of the adjustment units.



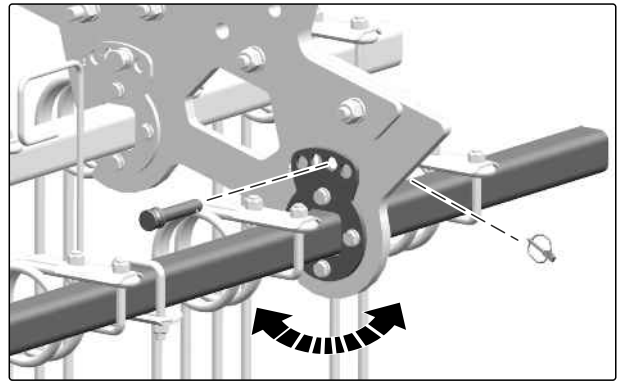
CMS-I-00011766

##### 6.5.2.4.2 Adjusting the tilt of the double harrow

CMS-T-00017321-A.1

If there is lots of organic material, the double harrow is set shallow.

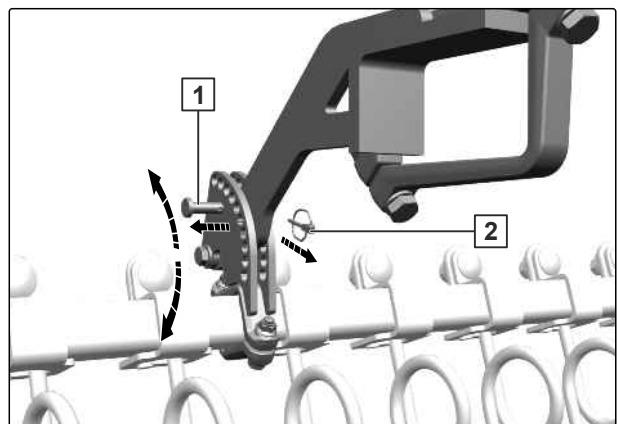
1. Remove the linch pin on the double harrow.
2. Remove the pin.
3. Turn the harrow to the desired position.
4. Insert the pin in the desired hole. Secure with the linch pin.



CMS-I-00011767

#### 6.5.2.5 Adjusting the spring blade system or spring clearer system

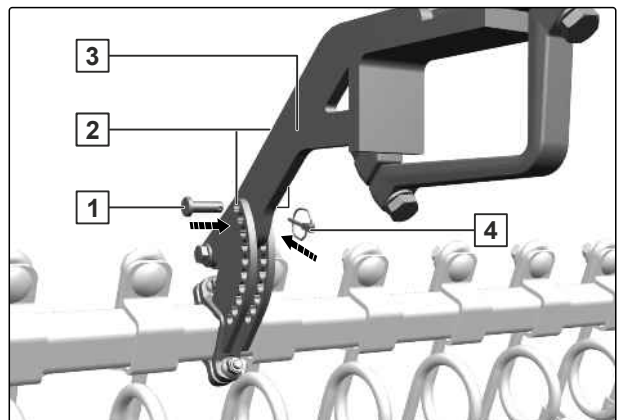
1. Pull the linch pin **2** out of the pin **1** on both adjustment units of a spring blade bar or spring clearer bar.
2. Pull out the pin.
3. Turn the spring blade bar or spring clearer bar to the desired position.



CMS-T-00012170-C.1

CMS-I-00007888

4. Insert a pin **1** through each of the holes **2** and one of the holes in the bracket **3**.
5. Secure the pins with the linch pins **4**.



CMS-I-00007889

#### 6.5.2.6 Adjusting the scraper on the clearer system WW 142 HI

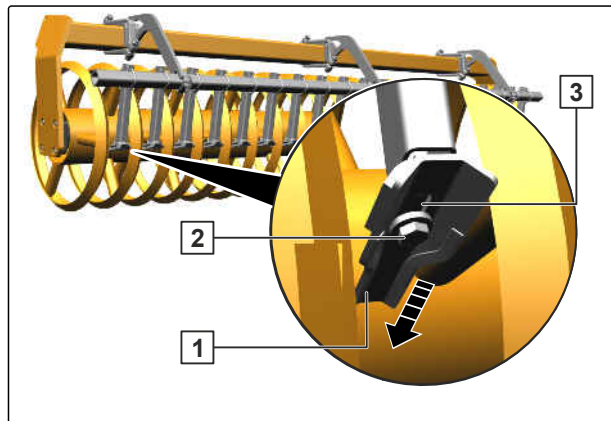
In case of wear, the scrapers on clearer system WW 142 HI can be moved closer towards the angle profile roller.

CMS-T-00012171-A.1

## 6 | Preparing the machine

### Preparing the implement for operation

1. Loosen the bolt **2** on the scraper **1**.
2. Move the scraper in the elongated slot **3** towards the roller.
3. Tighten the bolt.



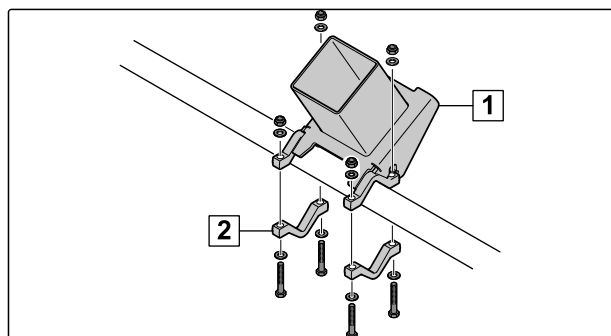
CMS-I-00007890

### 6.5.3 Installing ballast weights

CMS-T-00000069-E.1

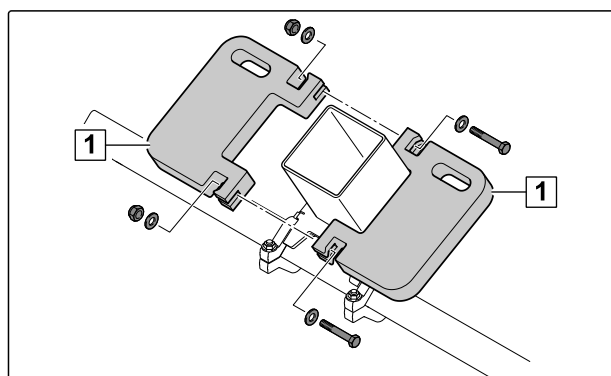
The ballast weights optimise the penetration of the discs into the soil under dry and extremely hard soil conditions. One set of ballast weights consists of 4 elements, each with a weight of 25 kg.

1. Screw on the bracket **1** for the additional weights with the clamp **2** at the centre of the rear frame carrier.



CMS-I-00000643

2. Put two ballast weights **1** on each bracket.
3. Screw two ballast weights together respectively.



CMS-I-00000533

### 6.5.4 Adjusting the scraper to the roller

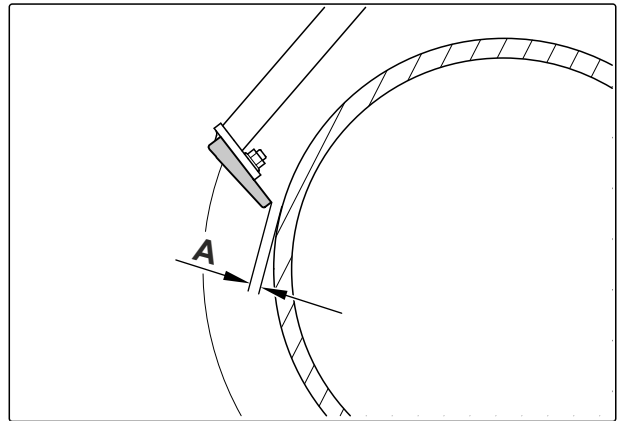
CMS-T-00000076-F.1

The scrapers on the roller are set at the factory. The scrapers can be adapted to the working conditions.

**i NOTE**

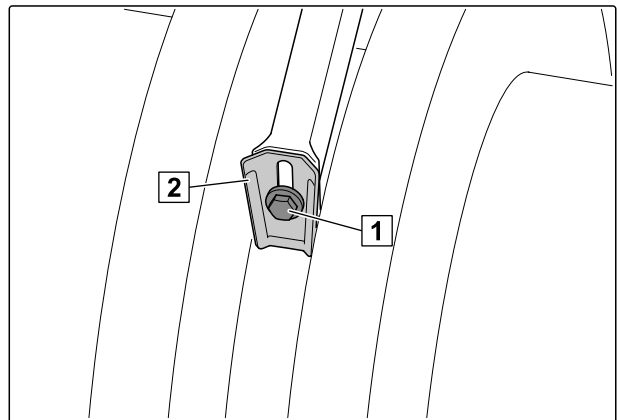
Permitted distances **A** between the roller element and scraper:

- Wedge ring roller: 12 mm ± 2 mm
- Wedge ring roller with matrix tyre profile: 13 mm ± 2 mm
- Tooth packer roller: at least 1 mm



CMS-I-00002071

1. Loosen the bolt **1** on the scraper **2**.
2. Move the scraper in the elongated slot.
3. Tighten the bolt **1**.
4. Check the distances when the implement is lowered.



CMS-I-00000521

**6.5.5 Adjusting the central lubrication**

CMS-T-00006314-D.1

Pause times															
Blue rotary knob	1	2	3	4	5	6	7	8	9	A	B	C	D	E	F
Hours	1	2	3	4	5	6	7	8	9	10	11	12	13	14	15

Lubrication times															
Red rotary knob	1	2	3	4	5	6	7	8	9	A	B	C	D	E	F
Minutes	2	4	6	8	10	12	14	16	18	20	22	24	26	28	30

**i NOTE**

The rotary knob position "0" is only intended for manufacturer purposes.

**Recommended lubrication time:**

- 8 minutes

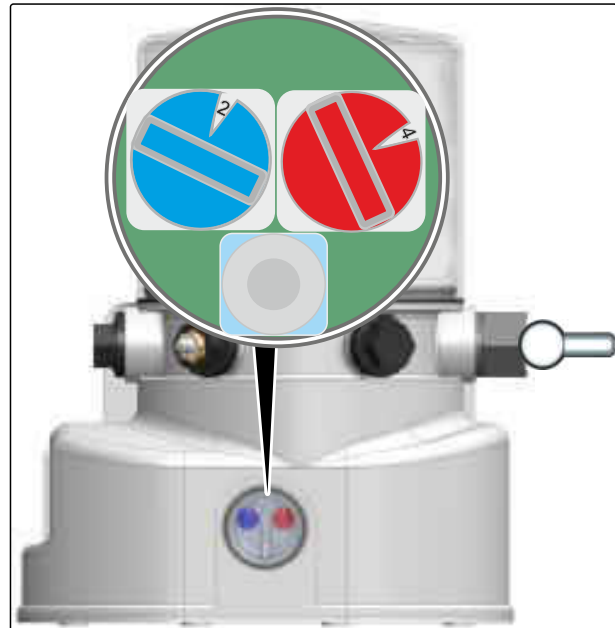
**Recommended pause times when applying slurry:**

- Initial operation: 1 hour
- Later: 1-2 hours

**Recommended pause times without slurry:**

- ensure 3 lubrication times per day of operation

When the power supply is connected, the central lubrication starts with the set pause times and lubricating times. When the power supply is interrupted during a pause time, the pause time will be continued.



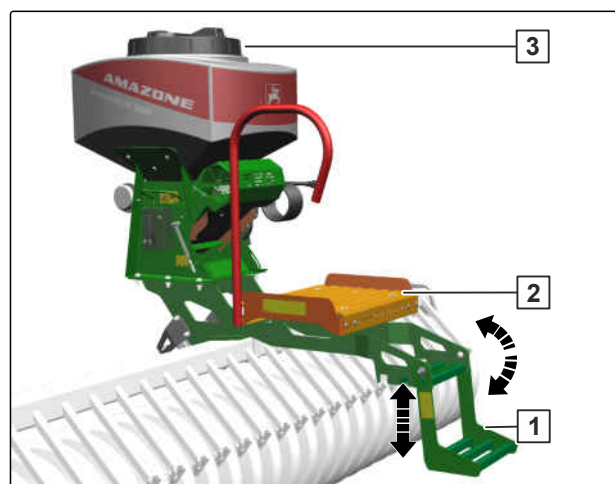
CMS-I-00004514

1. Remove the plastic cover from the adjustment unit.
2. Adjust the pause times using the blue rotary knob.
3. Adjust the lubricating times using the red rotary knob.
4. Reinstall the plastic cover to protect against the penetration of moisture.

**6.5.6 Filling the GreenDrill**

CMS-T-00015706-A.1

1. Switch off the fan.
2. Switch off the control terminal.
3. Lift the folding step **1** and swivel it down.
4. Climb onto the loading board **2**.
5. *To fill the hopper on the GreenDrill **3**:*  
Refer to the GreenDrill operating manual.
6. Swivel up the folding step and lower into parking position.



CMS-I-00010251



## 6.6 Preparing the machine for road travel

CMS-T-00004398-E.1

### 6.6.1 Moving the harrow into transport position

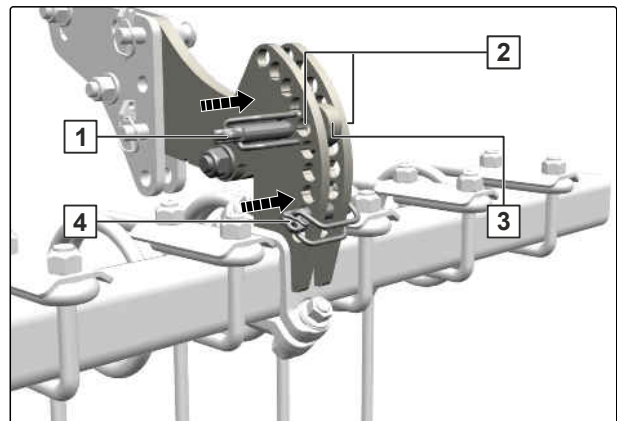
CMS-T-00015729-B.1

#### 6.6.1.1 Moving harrow system 12-125 HI into transport position

CMS-T-00012324-B.1

On folding implements, the harrow tines together with the road safety bars may not exceed the transport width of 3 m.

1. Pull out the both lynch pins on both adjustment units.
2. *If the harrow tines exceed the transport width when the implement is folded:*  
Turn the harrow bar to a flatter tilt.
3. Insert a lynch pin **1** through each of the holes **2** and the hole in the bracket **3**.
4. Park each of the second lynch pins **4** below the bracket.



CMS-I-00007934

#### 6.6.1.2 Moving harrow system 12-125 HI KWM/DW into transport position

CMS-T-00012322-B.1

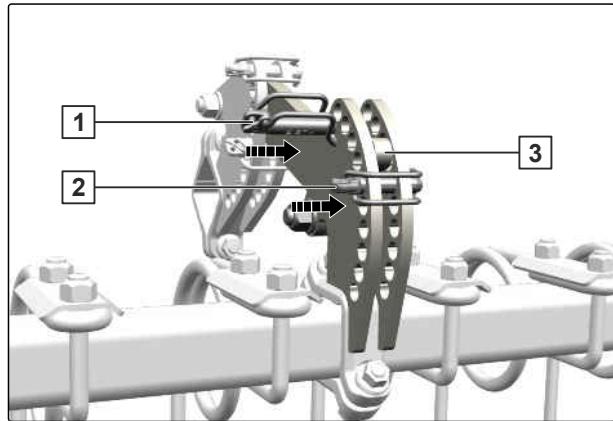
On folding implements, the harrow tines together with the road safety bars may not exceed the transport width of 3 m.

1. Pull out the both lynch pins on both adjustment units.
2. *If the harrow tines exceed the transport width when the implement is folded:*  
Turn the harrow bar to a flatter tilt.

## 6 | Preparing the machine

### Preparing the machine for road travel

3. Insert the linch pins **1** and **2** through each of the holes directly above and below the bracket **3**.



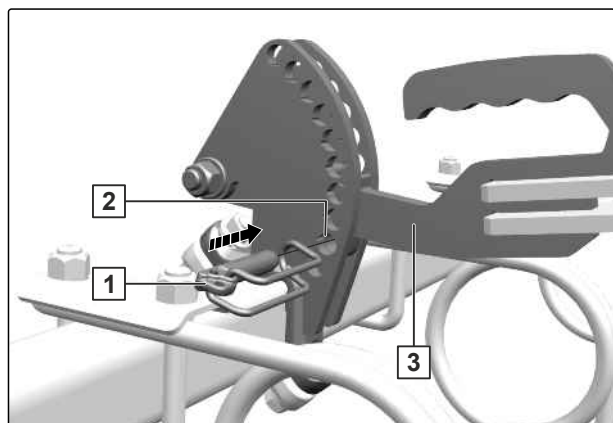
CMS-I-00007936

#### 6.6.1.3 Moving harrow system 12-250 HI into transport position

CMS-T-00012326-B.1

On folding implements, the harrow tines together with the road safety bars may not exceed the transport width of 3 m.

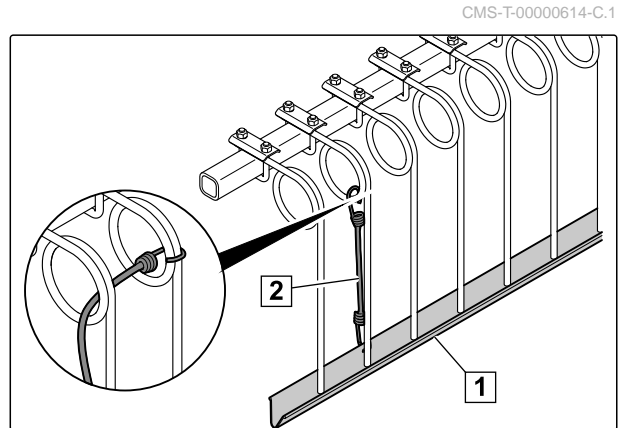
1. Pull out the the linch pins on both adjustment units.
2. *If the harrow tines exceed the transport width when the implement is folded:*  
Turn the harrow bar to a flatter tilt.
3. Insert a linch pin **1** through each of the holes **2** and the hole at the bottom of the bracket **3**.



CMS-I-00007907

### 6.6.2 Putting on the road safety bars

1. Remove coarse dirt from the tines.
2. Push the road safety bars **1** over the tines.
3. Secure the road safety bars with the tensioners **2**.
4. Check for firm seating.
5. *If the tensioners do not provide enough tension, guide the tensioner through the tine coils.*

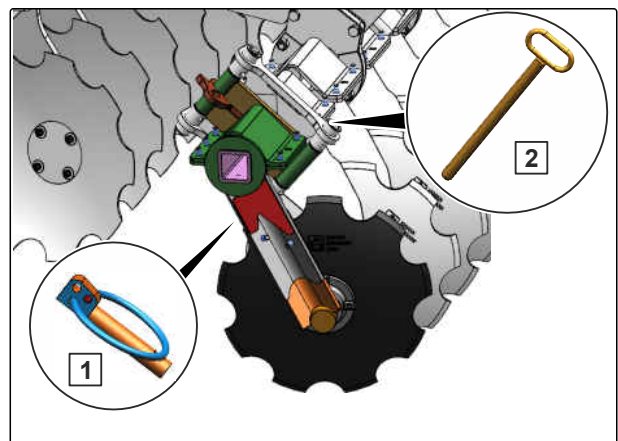


CMS-I-00000517

### 6.6.3 Preparing the side disc for road travel

To comply with the permitted transport height, the side discs on the Catros 7003-2 can be swivelled.

1. Pull out the lynch pin **1**.
2. Pull out the pin **2**.



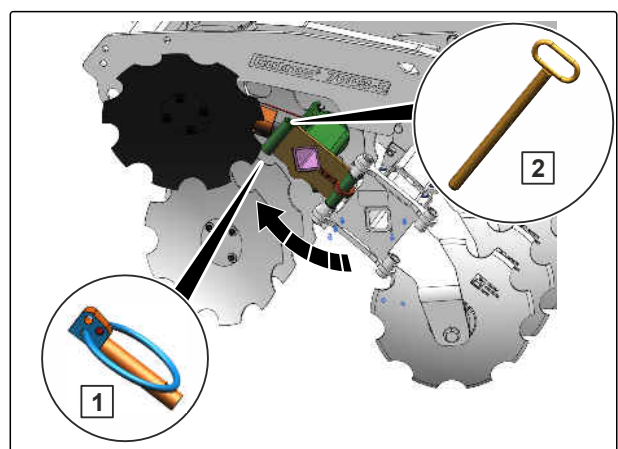
CMS-I-00011761

#### **WARNING**

##### **Risk of crushing**

- ▶ Swivel the side discs carefully to the desired position.

3. Swivel up the side disc.
4. Secure the side disc with a pin **2**.
5. Secure the pin with a lynch pin **1**.
6. Swivel up both side discs in the same way.



CMS-I-00011760

### **6.6.4 Folding the sections**

CMS-T-00004551-D.1

1. Set the working depth of the discs to the minimum.
2. Completely lift the implement with the lower link or the hydraulic drawbar.
3. Actuate the "*blue*" tractor control unit.

➔ The sections fold.

4. Fold the sections up to the end position.
5. Secure the "*blue*" tractor control unit against unintentional actuation.

### **6.6.5 Locking the tractor control units**

CMS-T-00006337-D.1

- ▶ Depending on the equipment, the tractor control units are locked mechanically or electrically.

# Using the machine

# 7

CMS-T-00017247-B.1

## 7.1 Unfolding the sections

CMS-T-00004426-E.1

1. Completely raise the implement.
  2. Actuate the "blue" tractor control unit.
- ➔ The sections unfold.
3. Unfold the sections up to the end position.

## 7.2 Preparing the side disc for operation

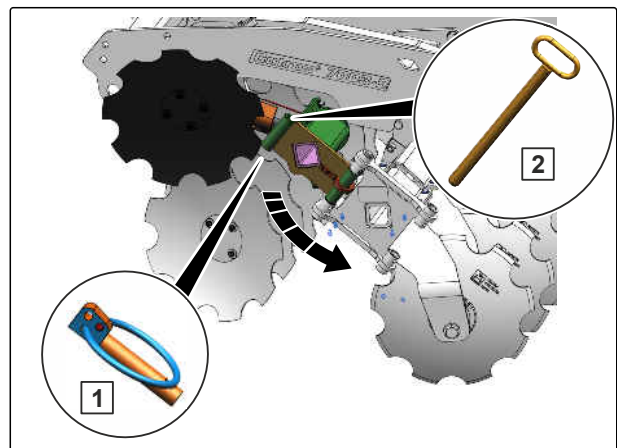
CMS-T-00017317-A.1

1. Remove the linch pin **1**.
2. Pull out the pin **2**.

**!** **WARNING**  
**Risk of crushing**

▶ Swivel the side discs carefully to the desired position.

3. Swivel down the side disc.

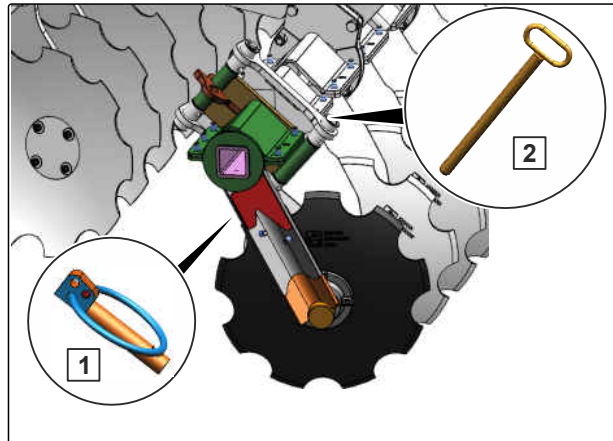


CMS-I-00011762

## 7 | Using the machine

### Removing the road safety bars

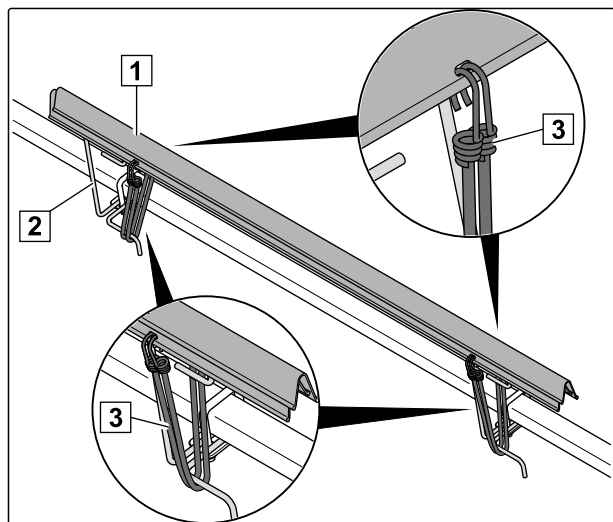
4. Secure the side disc with a pin **2**.
5. Secure the pin with a linch pin **1**.
6. Swivel down both side discs in the same way.



CMS-I-00011761

### 7.3 Removing the road safety bars

1. Remove the road safety bars from the harrow system.
2. Turn the traffic safety bars **1** by 180°, place on top of each other on the brackets **2**.
3. Secure the road safety bars with tensioners **3**.



CMS-T-00000091-D.1

CMS-I-00000518

## 7.4 Adjusting the working depth

CMS-T-00016278-C.1

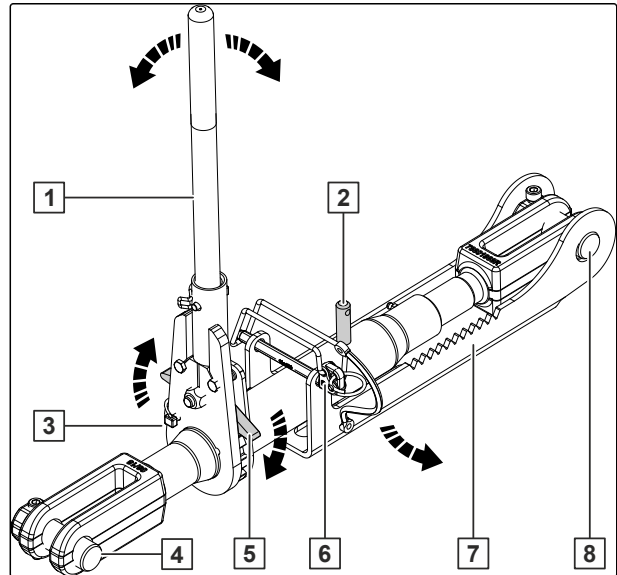
### 7.4.1 Adjusting the working depth of the discs

CMS-T-00017315-A.1

#### 7.4.1.1 Manually adjusting the working depth of the discs

CMS-T-00004404-B.1

1. Slightly raise the implement.
2. Insert the hand lever **1**.
3. Secure the hand lever with a linch pin.
4. Remove the linch pin **3**.
5. Engage the swivelling lever **5** according to the desired direction of rotation.
6. Remove the linch pin **6**.
7. Swivel down the safety clip **7**.



CMS-I-00000886

Adjustment spindle	Working depth
shorten	increase
lengthen	reduce

8. Set the adjustment spindle to the desired length using the hand lever.
9. Set the locking pin **2** vertically.
10. Swivel up the safety clip.
11. Secure the safety clip with a linch pin.
12. Set the swivelling lever horizontally.
13. Secure the swivelling lever with a linch pin.
14. Measure the distance between the middle of pin **4** and the middle of pin **8**.
15. Set the adjustment spindle on the second disc array to the same length.
16. Put the hand lever in parking position.
17. Secure the hand lever with a linch pin.

### 7.4.1.2 Hydraulic adjustment of the working depth of the discs

CMS-T-00004403-B.1

#### **i** NOTE

If a uniform working depth cannot be adjusted, the hydraulic cylinders must be synchronised.

1. To synchronise the hydraulic cylinders, completely extend the hydraulic cylinders with the "green" tractor control unit.
2. Hold the "green" tractor control unit for 10 seconds.

➔ The hydraulic cylinders will be synchronised.

The arrow **1** on the scale **2** shows the set working depth.

#### **i** NOTE

The scale value only serves for orientation. The scale value does not represent the working depth in centimetres.

3. Adjust the working depth hydraulically using the "green" tractor control unit.



CMS-I-00003201

### 7.4.1.3 Adjusting the working depth of the side discs

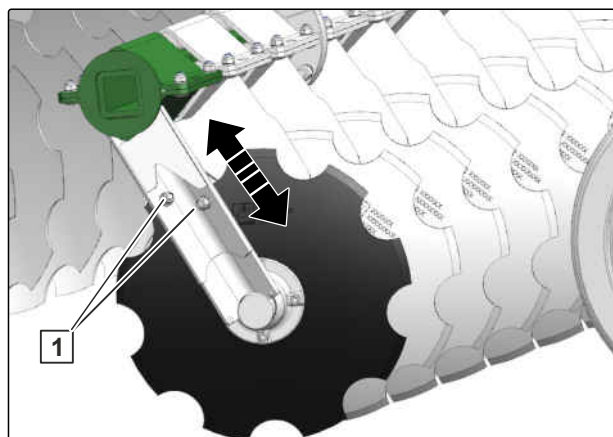
CMS-T-00017316-A.1

The working depth of the side discs is adjusted to prevent the formation of soil ridges during operation.

1. Raise the implement.
2. Loosen both bolts **1**.

The bearing journal and the hub of the side disc serve as handles.

3. Slide the side disc up or down in the elongated slots.
4. Tighten the bolts.



CMS-I-00011759

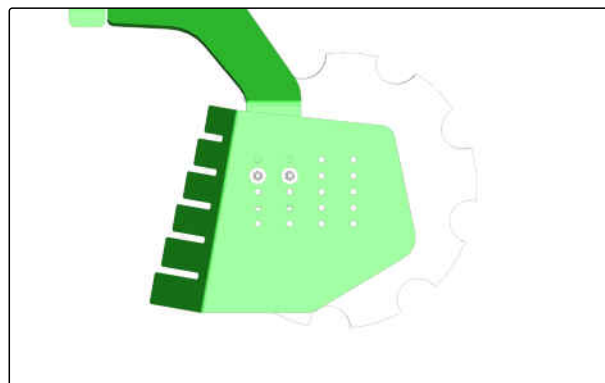


### 7.4.2 Adjust the working depth of the side guide plates

CMS-T-00004430-G.1

The side guide plates keep the displaced soil within the implement. The side guide plates must be adjusted so that the side discs do not form soil ridges and soil furrows.

The height and length of the side guide plates can be adjusted on the holding arms and via the hole patterns.



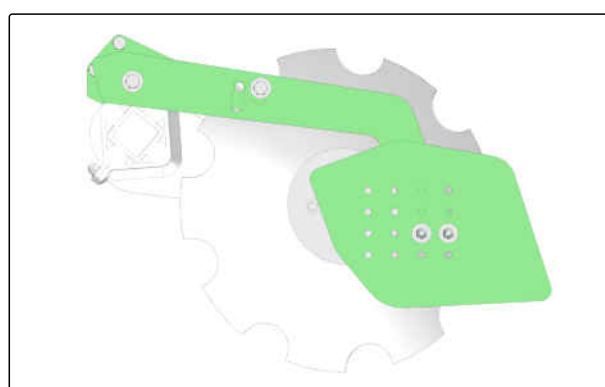
CMS-I-00003484



#### IMPORTANT

**Damage due to the side guide plates being set too deep**

- ▶ Set the side guide plates at a distance of at least 30 mm from the ground.



CMS-I-00003277

1. Slightly raise the implement.
2. Loosen the bolts on the side guide plates.
3. Adjust the height and longitudinal spacing of the side guide plates.
4. Tighten the bolts.
5. Check the setting when operating the implement.

## 7.5 Using the implement

CMS-T-001727-G.1

1. Lower the implement on the field.
2. Move the hydraulic system of the three-point power lift into float position.

## 7.6 Using the slurry spreader

CMS-T-00017273-A.1



### IMPORTANT

#### Damage to the slurry spreader due to foreign objects

Stones, metal parts or other foreign objects that cannot be chopped in the slurry spreader cause premature wear.

- ▶ Prevent foreign objects from entering the slurry spreader.

1. Set the hydraulic oil volume flow for the "red" tractor control unit at 35-60 l/min.
2. *To prevent dry running:*  
Switch on the slurry spreader with the "red/1" tractor control unit just before the medium flows into the slurry spreader.



### IMPORTANT

#### Damage to the hydraulic motor

If the tractor control unit is locked when the rotor speed is too high, it can cause damage to the hydraulic motor.

- ▶ *As long as the rotor of the slurry spreader is rotating:*  
Do not lock the tractor control unit.

3. *To switch off the slurry spreader:*  
Put the "red" tractor control unit in float position.

## 7.7 Turning on the headlands

CMS-T-00017248-A.1

1. *To prevent lateral loads when driving in curves on the headlands:*  
raise the soil tillage tools.
  2. *To prevent blockages in the slurry spreader:*  
Move the "red" tractor control unit into float position on the headlands. Then briefly actuate the "red/2" tractor control unit and move it back to float position.
- ➔ Changing the direction of rotation prevents blockages.

3. *When the direction of the implement matches that of the direction of travel:*  
lower the soil tillage tools.
4. *To switch the slurry spreader back on after the headlands:*  
Actuate the "red/1" tractor control unit.

## 7.8 Cleaning the slurry spreader on the field

CMS-T-00017274-A.1



### WARNING

#### Damage to the slurry spreader due to residues

Residues in the supply hoses can freeze, ferment or dry up.

- ▶ *To flush remaining residues out of the slurry spreader:*  
Run the slurry spreader with water after operation.
- 
- ▶ Spread the water on the field.

## Eliminating faults

# 8

CMS-T-00017250-A.1

Errors	Cause	Solution
The working depth is uneven across the entire implement width	The hydraulic cylinders have different lengths.	▶ see page 72
Slurry spreader vibrates	Rotor speed is too low	▶ Increase the hydraulic oil volume flow of the spreading vehicle.
	Rotor is clogged	▶ Clean the slurry spreader.
	Diaphragm is displaced	▶ Slide the displaced diaphragm onto the filling tube. Fasten with the hose clamp.
Insufficient cutting action in the slurry spreader	Flow rate is too high	▶ Reduce the pump speed.
	Cutting parts are worn	▶ Replace the cutting parts.
	Rotor speed is too low	▶ Increase the hydraulic oil volume flow of the spreading vehicle.
Poor slurry spreading	Rotor speed is too low	▶ Increase the hydraulic oil volume flow of the spreading vehicle.
	Rotor speed is too high	▶ Reduce the hydraulic oil volume flow of the spreading vehicle.
	Formation of sagging in the drain hoses	▶ Optimise the hose routing.
	Diaphragm is displaced	▶ Slide the displaced diaphragm onto the filling tube. Fasten with the hose clamp.
	Fibres under the cutting blades	▶ Remove the fibres.
Only a few drain hoses are supplied with slurry	Rotor is blocked	▶ Reverse the rotor several times. ▶ Remove foreign objects.
Strong pulsation in the drain hoses for slurry	Rotor speed is too low	▶ Increase the hydraulic oil volume flow of the spreading vehicle.

---

<b>Errors</b>	<b>Cause</b>	<b>Solution</b>
	Diaphragm is displaced	▶ Slide the displaced diaphragm onto the filling tube. Fasten with the hose clamp.

### The working depth is uneven across the entire implement width

CMS-T-00005120-B.1

1. completely extend the hydraulic cylinders with the "green" tractor control unit.
  2. Hold the "green" tractor control unit for 10 seconds.
- ➔ The hydraulic cylinders will be synchronised.

# Parking the machine

# 9

CMS-T-00004407-H.1

## 9.1 Unfolding the sections

CMS-T-00004426-E.1

1. Completely raise the implement.
  2. Actuate the "blue" tractor control unit.
- ➔ The sections unfold.
3. Unfold the sections up to the end position.

## 9.2 Uncoupling the three-point mounting frame

CMS-T-00004433-B.1

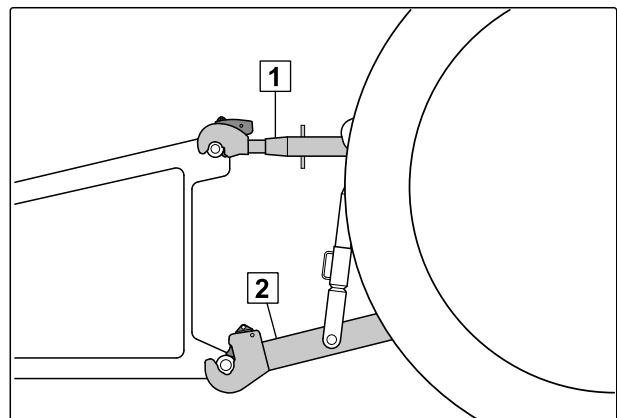


### WARNING

**Risk of the folded implement tipping over due to insufficient stability.**

- ▶ Unfold the implement sections before uncoupling.
- ▶ Never uncouple the implement when it is folded.

1. Park the implement on a level surface with solid ground.
2. Release the top link **1**.
3. Uncouple the top link **1** from the implement from the tractor seat.
4. Release the lower links **2**.
5. Uncouple the lower links **2** from the implement from the tractor seat.
6. Drive the tractor forward.



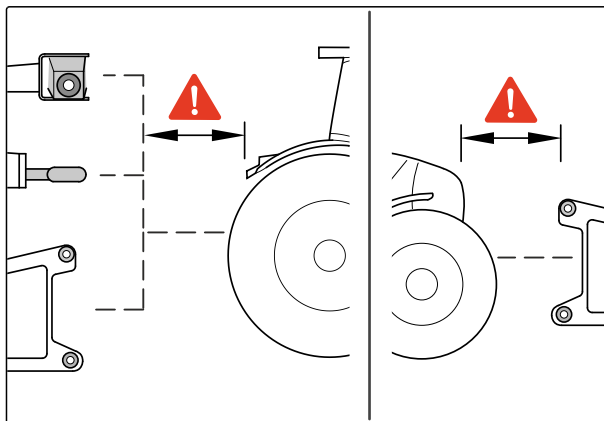
CMS-I-00001249

### 9.3 Driving the tractor away from the implement

CMS-T-00005795-D.1

There must be enough space between the tractor and implement so that the supply lines can be uncoupled without obstructions.

- ▶ Drive the tractor away from the implement, leaving a sufficient distance.

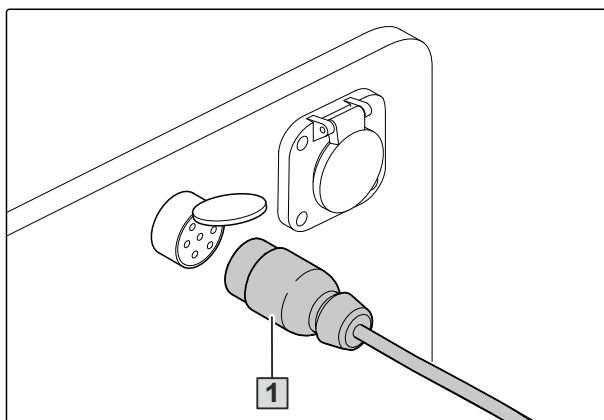


CMS-I-00004045

### 9.4 Uncoupling the power supply

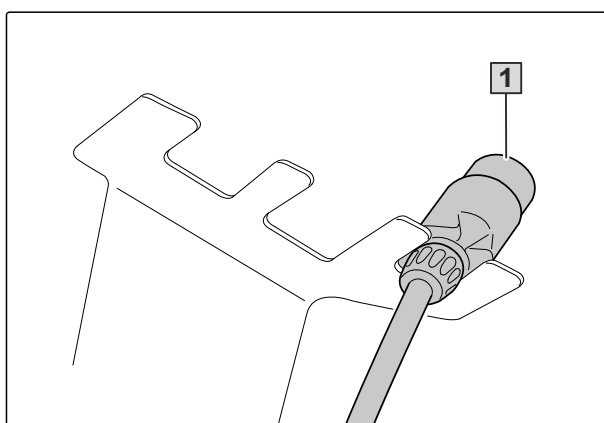
CMS-T-00001402-H.1

1. Pull out the plug **1** for the power supply.



CMS-I-00001048

2. Hang the plugs **1** in the hose cabinet.



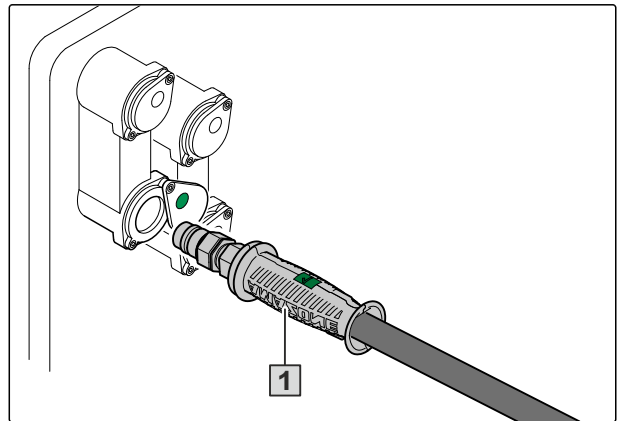
CMS-I-00001248



## 9.5 Disconnecting the hydraulic hose lines

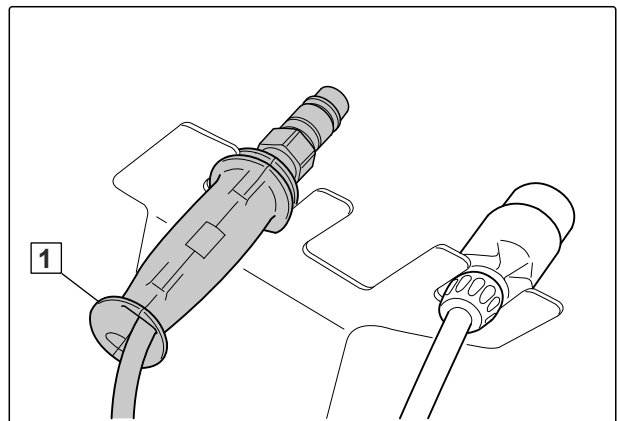
CMS-T-00000277-F.1

1. Secure the tractor and implement.
2. Put the control lever on the tractor control unit in float position.
3. Disconnect the hydraulic hose lines **1**.
4. Put the dust caps on the hydraulic sockets.



CMS-I-00001065

5. Hang the hydraulic hose lines **1** in the hose cabinet.



CMS-I-00001250

# Repairing the machine

# 10

CMS-T-00017256-B.1

## 10.1 Maintaining the machine

CMS-T-00017259-B.1

### 10.1.1 Maintenance schedule

<b>After initial operation</b>		
Checking the rollers	see page 79	
Checking the hydraulic hose lines	see page 80	
Checking the hose clamps on the slurry spreader	see page 82	
Checking the fastening of the slurry spreader	see page 83	

<b>As required</b>		
Replacing the discs	see page 77	
Aligning the disc gangs relative to each other	see page 77	<b>WORKSHOP WORK</b>
Replacing the cutting ring and cutting blade in the slurry spreader	see page 86	
Replacing the seals on the distributor head of the slurry spreader	see page 88	

<b>Daily</b>		
Checking the lower link pins and top link pins	see page 79	
Checking the central lubrication	see page 81	

<b>Every 50 operating hours / Weekly</b>		
Checking the hydraulic hose lines	see page 80	
Cleaning the slurry spreader	see page 83	
Checking the cutting ring and cutting blade in the slurry spreader	see page 84	
Checking the diaphragm in the slurry spreader	see page 85	
Checking the hydraulic motor adapter of the slurry spreader	see page 85	

Every 200 operating hours / Every 3 months		
Checking the rollers	see page 79	

Every 500 operating hours / Every 12 months		
Checking the hose clamps on the slurry spreader	see page 82	
Checking the fastening of the slurry spreader	see page 83	

### 10.1.2 Replacing the discs

CMS-T-00002327-I.1

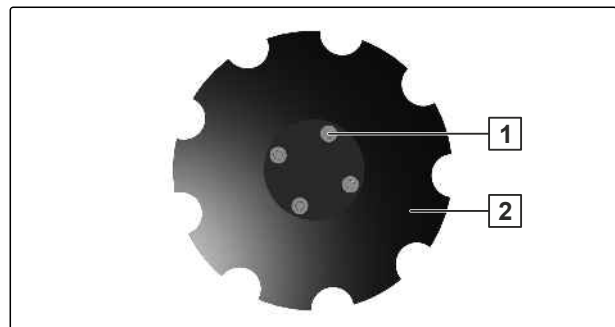


#### INTERVAL

- As required

Original disc diameter	Wear limit
46 cm	36 cm
48 cm	40 cm
51 cm	36 cm
61 cm	43 cm
66 cm	46 cm

1. Slightly raise the implement.



CMS-I-00002450

2. Loosen the 4 bolts **1** for the disc fastening.
3. Remove the washer **2**.
4. Fasten the new disc with the 4 bolts.

### 10.1.3 Aligning the disc gangs relative to each other

CMS-T-00015517-A.1



#### WORKSHOP WORK

- As required

The disc gangs are aligned relative to each other using adjustment spindles.

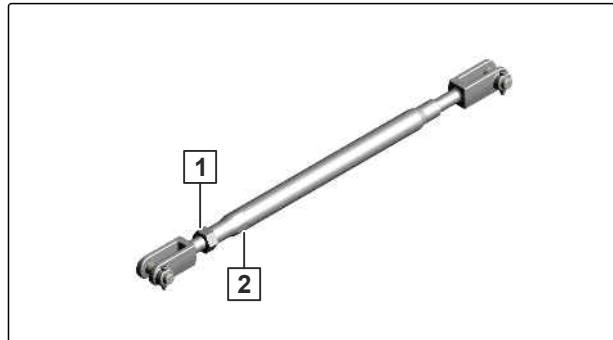
**The alignment of the disc gangs is suitable for the following:**

- Optimising the working depth of the disc gangs relative to each other
- Correcting lateral pull of the implement
- Preventing uneven wear of the discs

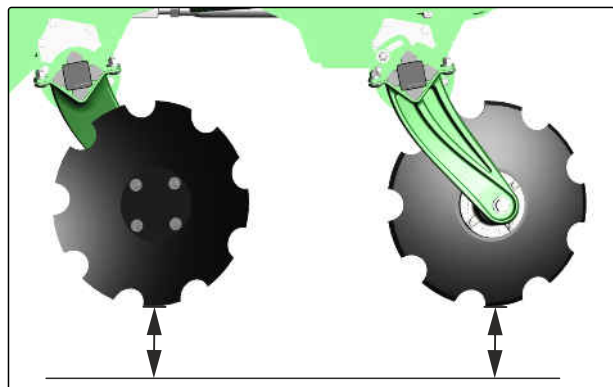
1. Align the implement horizontally.
2. Set the working depth of the disc gangs to the smallest value.

➔ The discs are not standing on the ground.

3. Loosen the lock nuts **1** on all of the adjustment spindles.
4. Align the disc gangs using the hexagonal profile **2** on the adjustment spindle.
5. Check that all of the disc carriers are aligned evenly.
6. Tighten the lock nuts.



CMS-I-00003204



CMS-I-00003385

### 10.1.4 Checking the rollers

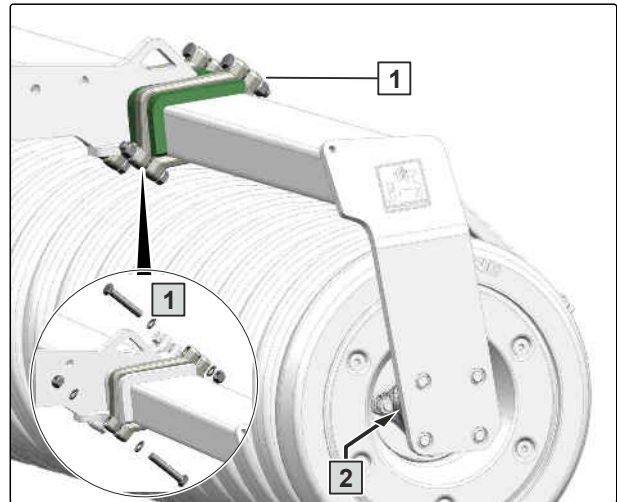
CMS-T-00002329-E.1



#### INTERVAL

- After initial operation
- Every 200 operating hours  
or  
Every 3 months

- ▶ Check the bolts **1** for tightness.
- ▶ *If the bolts need to be replaced,* pay attention to the alignment of the bolts.
- ▶ Check the roller bearing **2** for ease of movement.



CMS-I-00000099

### 10.1.5 Checking the lower link pins and top link pins

CMS-T-00002330-K.1



#### INTERVAL

- Daily

#### Criteria for visual inspection of lower link pins and top link pins:

- Cracks
  - Fractures
  - Permanent deformations
  - Permissible wear: 2 mm
1. Check the lower link pins and top link pins for the listed criteria.
  2. Replace worn pins.

### 10.1.6 Checking the hydraulic hose lines

CMS-T-00002331-G.1



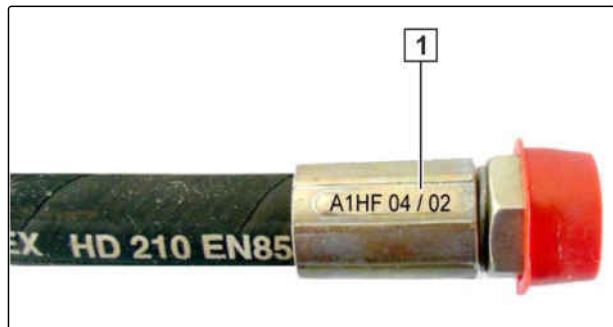
#### INTERVAL

- After initial operation
  - Every 50 operating hours
- or
- Weekly

1. Check the hydraulic hose lines for damage, such as chafing point, cuts, tears and deformation.
2. Check the hydraulic hose lines for leaks.
3. Retighten loose bolted connections.

Hydraulic hose lines must not be more than 6 years old.

4. Check the manufacturing date **1**.



CMS-I-00000532



#### WORKSHOP WORK

5. Replace worn, damaged or aged hydraulic hose lines.

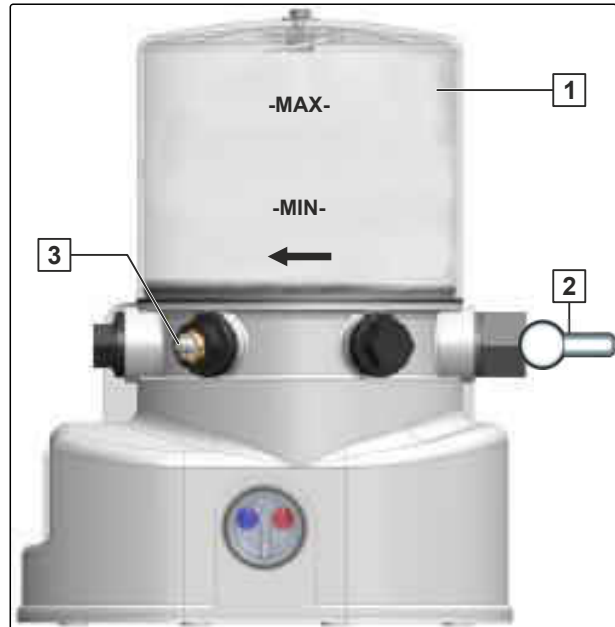
### 10.1.7 Checking the central lubrication

CMS-T-00006317-C.1

#### INTERVAL

- Daily

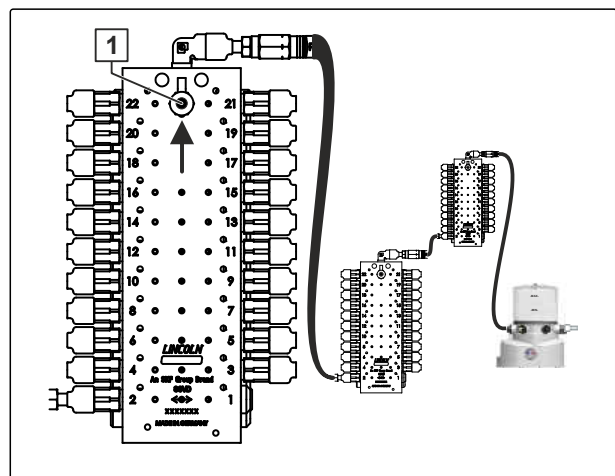
1. Check the fill level in the reservoir.
  2. *If the fill level in the reservoir **1** is low:* fill in grease through the filling nipple **3** until just below the "MAX" mark.
  3. Check the pressure relief valve **2** to determine whether grease escapes.
- ➔ Grease emerging at the pressure relief valve indicates a blockage on the lubrication points.



CMS-I-00004515

Depending on the equipment, the central lubrication system consists of several distributors that are connected to each other.

4. *To eliminate blockages:* Pump in the grease through the grease nipple **1** on the last distributor as seen from the pump.
5. Check for grease emerging from the lubrication points belonging to the distributor.
6. *If no grease emerges from a lubrication point:* remove the grease nipple from the faulty lubrication point and clean it.
7. Clean faulty lubrication points.
8. Reinstall the grease nipple on the faulty lubrication point.
9. Pump in grease again through the grease nipple **1**.
10. Check the cleaned lubrication points for emerging grease.
11. Repeat the procedure on all of the distributors.



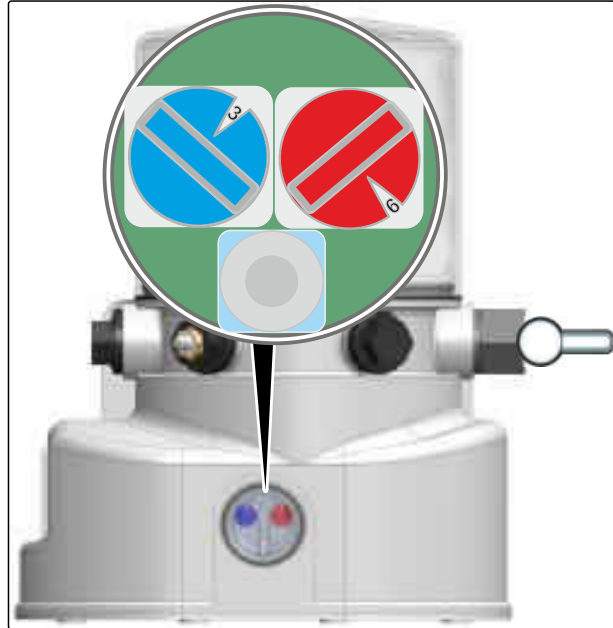
CMS-I-00004521

## 10 | Repairing the machine

### Maintaining the machine

When all of the faulty lubrication points have been cleaned, the central lubrication system can be tested over a longer period of time as follows:

12. Set the blue rotary knob on the pump at "3" and the red rotary knob at "9".
13. Supply the central lubrication system with power for 12 hours.
14. *If grease emerges on the pump after 12 hours:* Repeat the procedure as described.



CMS-I-00004520

### 10.1.8 Checking the hose clamps on the slurry spreader

CMS-T-00017275-A.1



#### INTERVAL

- After initial operation
  - Every 500 operating hours
- or
- Every 12 months

1. Use a suitable external ascent.
2. Check the hose clamps on the drain hoses for tight fit.
3. Check the hose clamps on the supply hoses for tight fit.
4. Tighten loose hose clamps.



### 10.1.9 Checking the fastening of the slurry spreader

CMS-T-00017276-A.1



#### INTERVAL

- After initial operation
- Every 500 operating hours  
or  
Every 12 months

1. Use a suitable external ascent.
2. Check the bolted connections for fastening the implement for tight fit.
3. Tighten loose bolted connections.

### 10.1.10 Cleaning the slurry spreader

CMS-T-00017282-A.1



#### INTERVAL

- Every 50 operating hours  
or  
Weekly

1. Use a suitable external ascent.
2. Open and lock the cover.



#### NOTE

When using a high-pressure cleaner, the diaphragm must be removed from the cover of the slurry spreader.

3. Clean the distributor head with water.
4. Remove foreign objects from the distributor head.
5. Remove the diaphragm. Clean with water.
6. Clean the air intake tubes with water.
7. Clean the cover with water.
8. Reinstall the diaphragm.
9. Close and lock the cover.

### 10.1.11 Checking the cutting ring and cutting blade in the slurry spreader

CMS-T-00017277-A.1

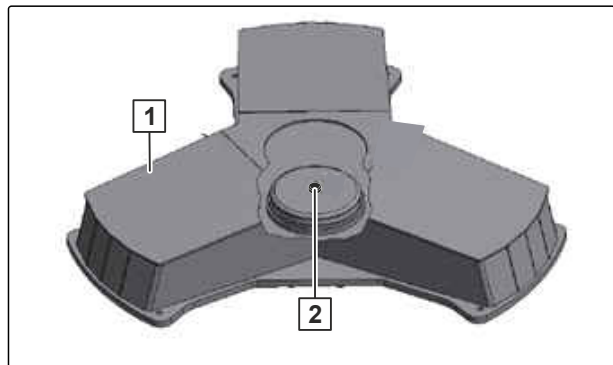


#### INTERVAL

- Every 50 operating hours  
or  
Weekly

1. Use a suitable external ascent.
  2. Open and lock the cover.
  3. Check the cutting ring and cutting blade for wear.
  4. Replace if necessary.
  5. Check the bolts in the cutting ring on the underside of the slurry spreader for tight fit.
  6. Tighten loose bolts.
  7. Check the preload of the cutting blade.
- ➔ If the rotor can only just be turned by hand, the preload is correctly set.

8. *If the rotor **1** is too tight or too loose:*  
Adjust the preload with the hexagonal nut **2**.
9. Close and lock the cover.



CMS-I-00011609

### 10.1.12 Checking the diaphragm in the slurry spreader

CMS-T-00017278-A.1



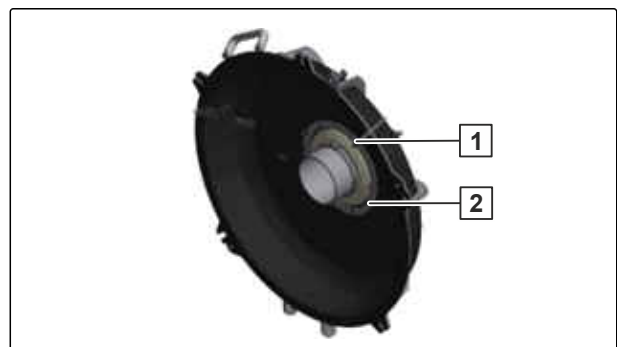
#### INTERVAL

- Every 50 operating hours  
or  
Weekly

1. Use a suitable external ascent.
2. Open and lock the cover.
3. Check the diaphragm **1** for damage and correct position.
4. Replace the diaphragm if damaged.
5. Slide the displaced diaphragm **2** onto the filling tube and secure it with the hose clamp **3**.
6. Check the bolted connections **1** of the ring flange **2** for tight fit.
7. Tighten loose bolted connections.
8. Close and lock the cover.



CMS-I-00011611



CMS-I-00011610

### 10.1.13 Checking the hydraulic motor adapter of the slurry spreader

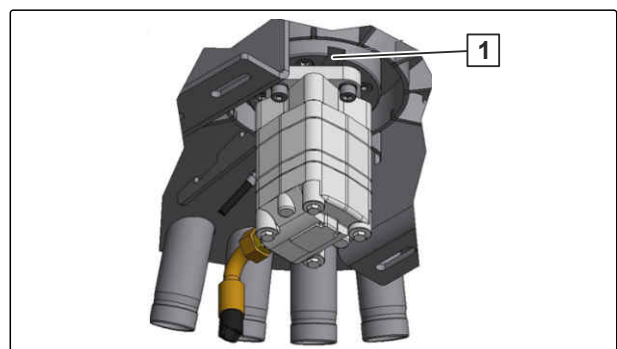
CMS-T-00017279-A.1



#### INTERVAL

- Every 50 operating hours  
or  
Weekly

1. Use a suitable external ascent.
2. Check the hydraulic motor adapter for leaks on the leak inspection opening **1**.
3. If there are medium leaks, replace the seals of the slurry spreader.



CMS-I-00011612



## WORKSHOP WORK

4. If there are oil leaks, replace the hydraulic motor.
  5. Check the bolts on the hydraulic motor for tight fit.
- ➔ Required tightening torque: 95 Nm

### 10.1.14 Replacing the cutting ring and cutting blade in the slurry spreader

CMS-T-00017280-A.1



## INTERVAL

- As required

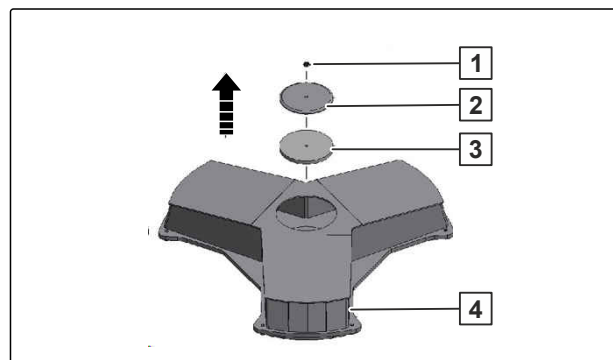


## CAUTION

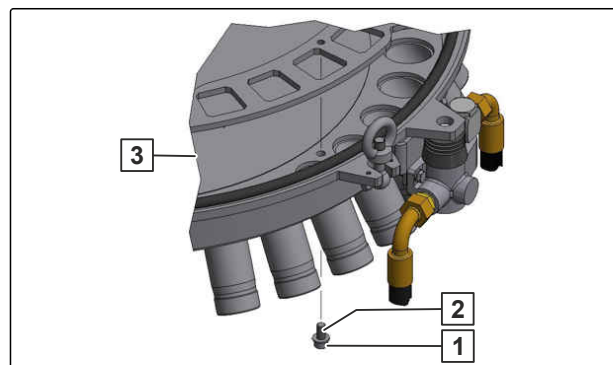
**Risk of injury due to sharp edges**

- ▶ *When you replace the cutting ring and the cutting blade:*  
Wear work gloves.

1. Use a suitable external ascent.
2. Open and lock the cover.
3. Loosen the hexagonal nut **1**.
4. Remove the preload washer **2** and the rubber washer **3**.
5. Remove the rotor **4**.
6. Remove the bolts **1** and washers **2** of the cutting ring **3** from the underside.
7. Clean the contact area on the slurry spreader.

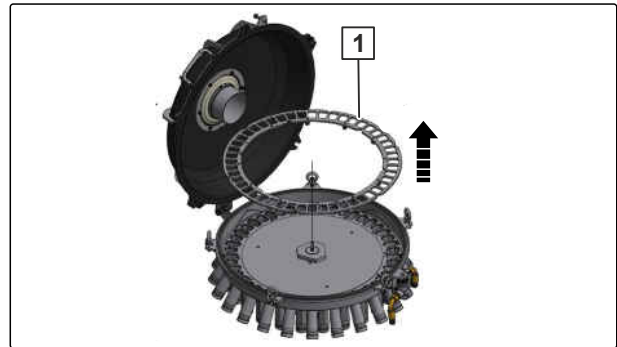


CMS-I-00011618



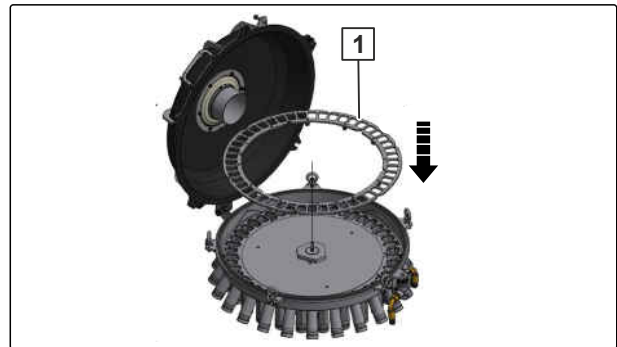
CMS-I-00011617

8. Take out the worn cutting ring **1**.



CMS-I-00011616

9. Insert the new cutting ring **1** into the distributor head.



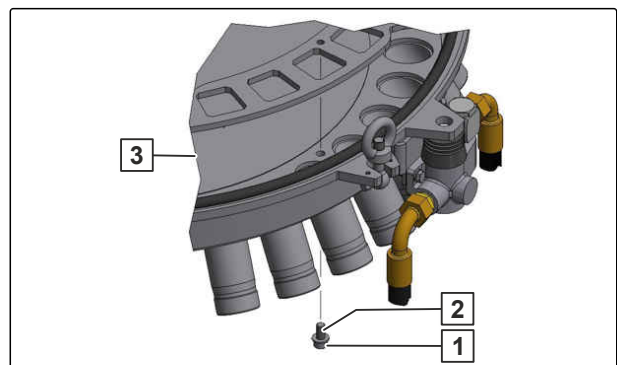
CMS-I-00011615

10. Coat the bolts **1** with thread lock adhesive, e.g. Weicon Lock AN 302-70.

11. Install the cutting ring **3** with the bolts and the washers **2** from the underside.

➔ Required tightening torque: 50 Nm

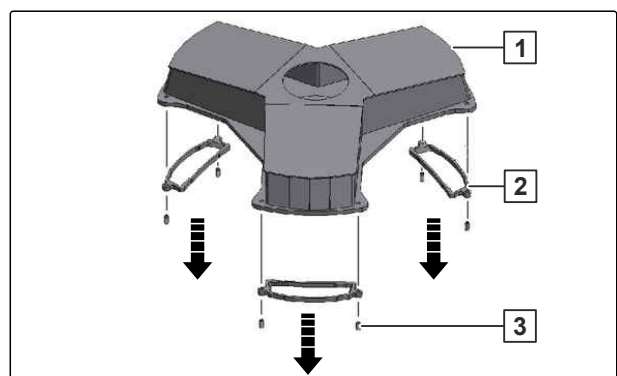
12. *If bolts protrude over the cutting ring:*  
Cut off the ends of the bolts flush with an angle grinder.



CMS-I-00011617

13. Remove the worn cutting blade **2** and the roll pins **3** from the rotor **1**.

14. Clean the seat of the cutting blade.

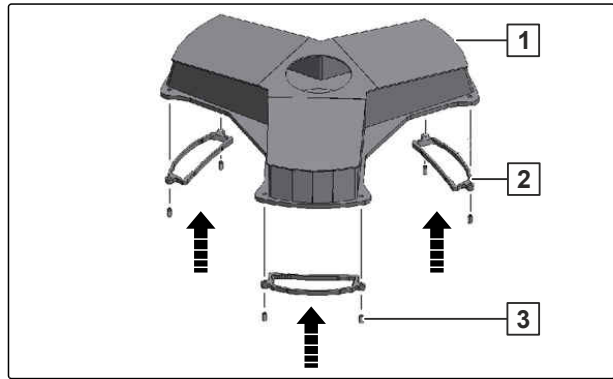


CMS-I-00011614

## 10 | Repairing the machine

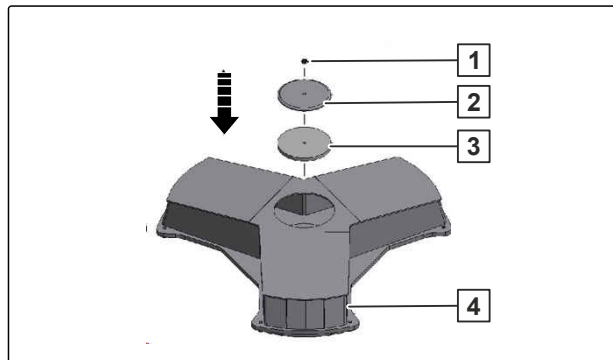
### Maintaining the machine

15. Insert the new cutting blade **2** with the narrow contour into the rotor **1**. Knock it in with a rubber mallet.
16. Knock in the new roll pins **3** until they are flush with the cutting blades.



CMS-I-00011613

17. Place the rotor **4** on the rotor adapter.
18. Install the rubber washer **3** and the preload washer **2**.
19. Tighten the hexagonal nut **1**.
20. Adjust the preload of the hexagonal nut.



CMS-I-00011626

➔ If the rotor can only just be turned by hand, the preload is correctly set.

21. Close and lock the cover.

### 10.1.15 Replacing the seals on the distributor head of the slurry spreader

CMS-T-00017281-A.1

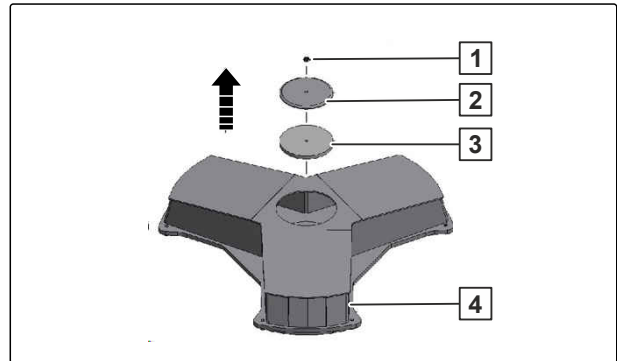


#### INTERVAL

- As required

Spare parts	
Quantity	Designation
2	Radial shaft sealing rings WAY 72 x 60 x 7
1	Cellular PU ring 95 mm x 12.5 mm x 10 mm
1	Inner ring
1	O-ring 50 x 3
1	Sealing ring A 8 x 14 x 1
12	Shims A 10 x 31 x 0.2

1. Use a suitable external ascent.
2. Open and lock the cover.
3. Loosen the hexagonal nut **1**.
4. Remove the preload washer **2** and the rubber washer **3**.
5. Remove the rotor **4**.
6. Remove the hexagonal nut **1**, sealing ring **2**, preload washer **3** and the O-ring **4**.

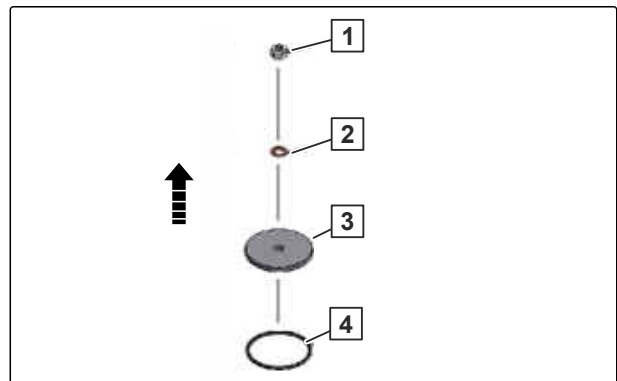


CMS-I-00011618

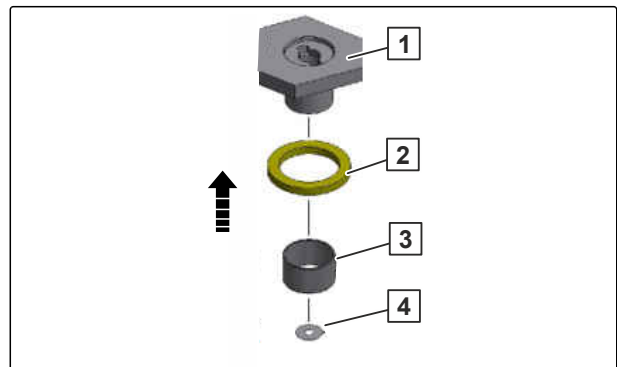
7. Remove the rotor adapter **1**.
8. Remove the cellular PU sealing ring **2**, inner ring **3** and the shims **4**.

**i NOTE**

Pay attention to the number of shims.



CMS-I-00011622

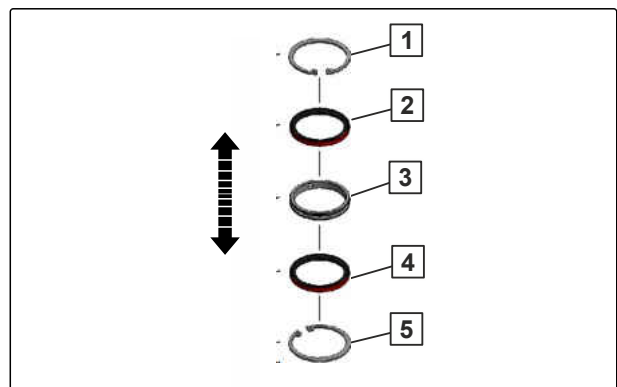


CMS-I-00011619

9. Remove the locking rings **1** and **5**, the radial shaft sealing rings **2** and **4**, and the spacer ring **3**.

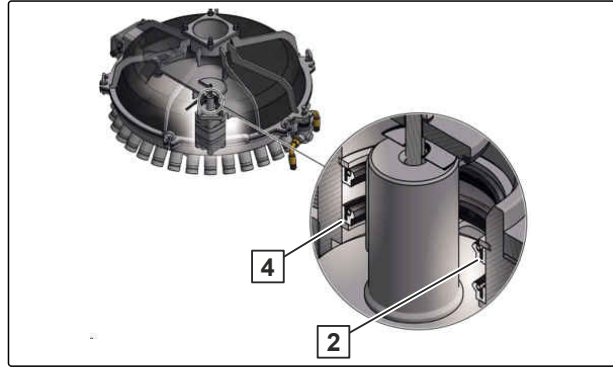
**i NOTE**

Seal the radial shaft sealing rings towards the motor.



CMS-I-00011621

11. Insert the new radial shaft sealing rings **4** and **2** with the locking rings and the spacer ring into the housing.



CMS-I-00011624

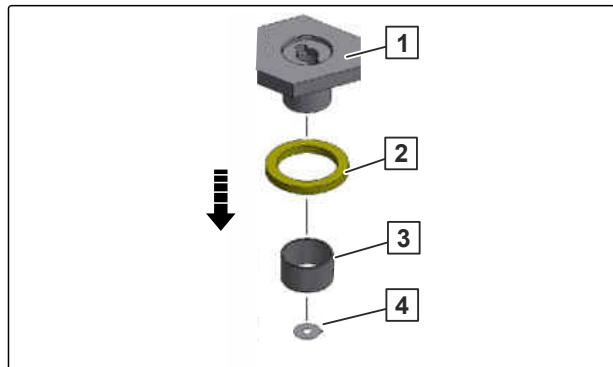
12. Put the new cell PU sealing ring **2** and the new inner ring **3** on the rotor adapter **1**.

13. Grease the inner ring.

14. Insert new shims into the housing.

**i NOTE**

Pay attention to the number of shims.

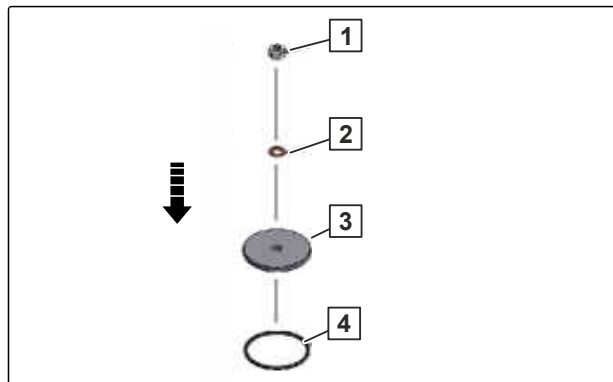


CMS-I-00011620

15. *To prevent damage to the radial shaft sealing rings:*  
Insert the rotor adapter into the housing with a slight rotational motion.

16. Install the new O-ring **4**, preload washer **3**, sealing ring **2** and the hexagonal nut **1**.

➔ Tightening torque for the hexagonal nut: 20 Nm



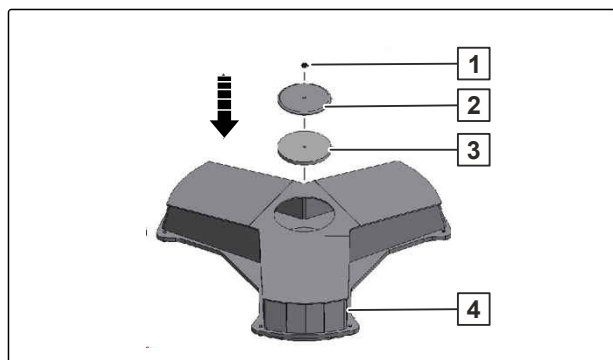
CMS-I-00011625

17. Place the rotor **4** on the rotor adapter.

18. Install the rubber washer **3** and the preload washer **2**.

19. Tighten the hexagonal nut **1**.

20. Adjust the preload with the hexagonal nut.



CMS-I-00011626



## 10.2 Lubricating the implement

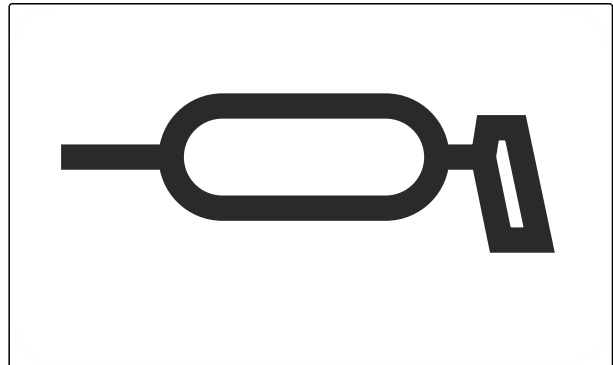
CMS-T-00017257-B.1



### IMPORTANT

#### Implement damage due to improper lubrication

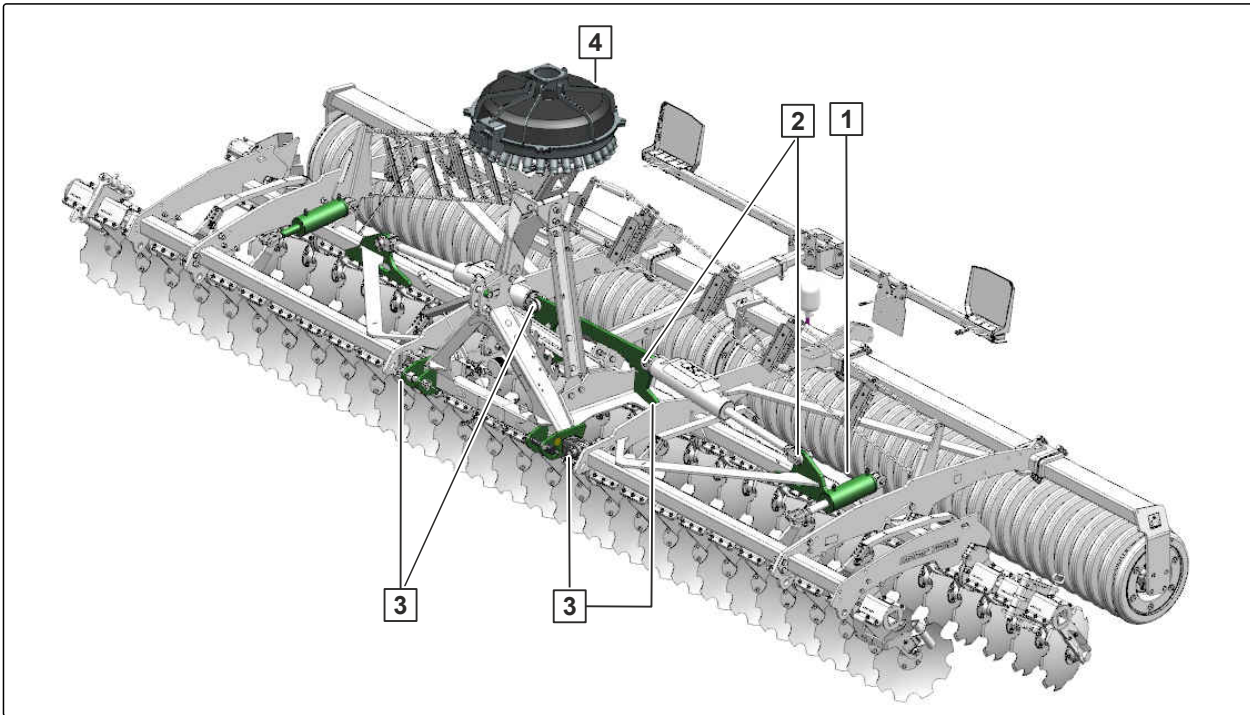
- ▶ Grease the implement at the lubrication points marked in the lubrication point overview.
- ▶ *To ensure that dirt is not pressed into the lubrication points:*  
Thoroughly clean the grease nipples and the grease gun.
- ▶ Only grease the implement with the lubricants listed in the technical data.
- ▶ Press the dirty grease completely out of the bearings.



CMS-I-00002270

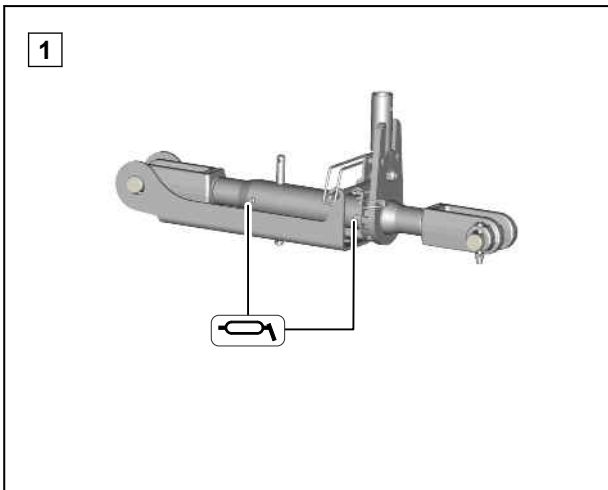
10.2.1 Overview of lubrication points

CMS-T-00017290-B.1

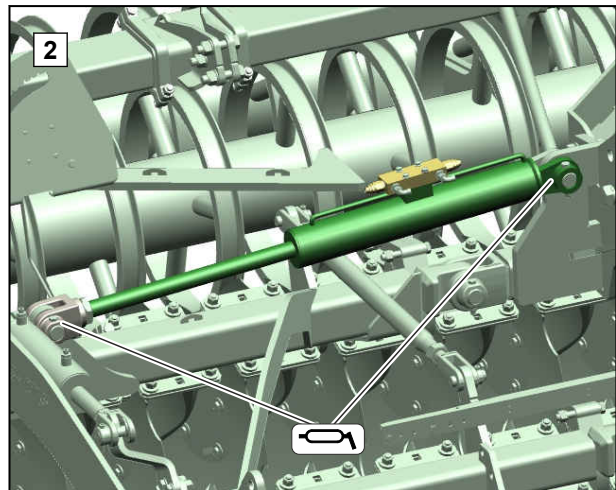


CMS-I-00011628

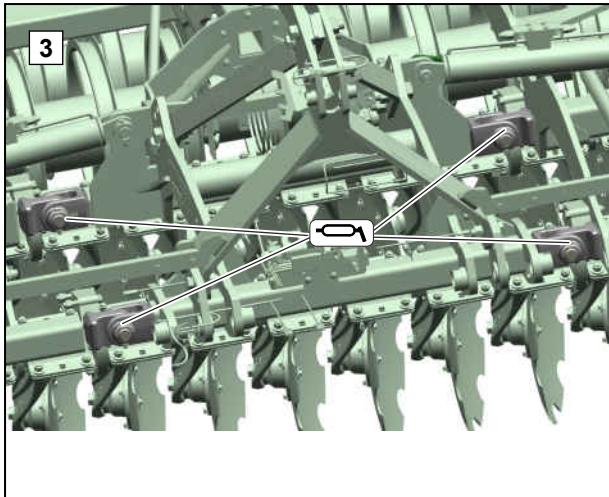
Every 50 operating hours



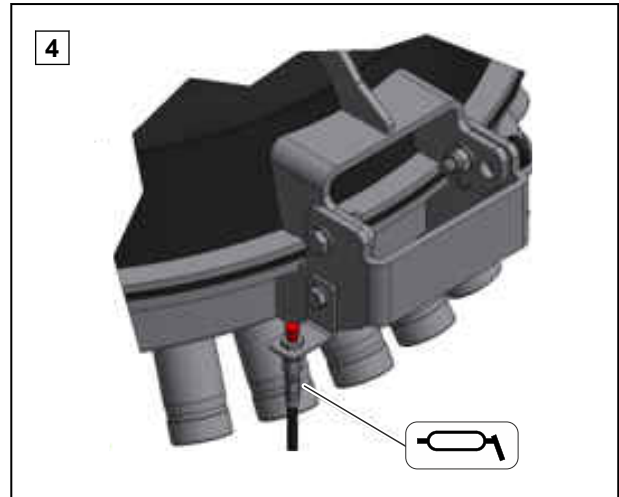
CMS-I-00002245



CMS-I-00003282



CMS-I-00003283



CMS-I-00011629

### 10.3 Cleaning the implement

CMS-T-00000593-F.1



#### IMPORTANT

##### Risk of machine damage due to cleaning jet of the high-pressure nozzle

- ▶ Never direct the cleaning jet of the high-pressure cleaner or hot water high-pressure cleaner onto the marked components.
- ▶ Never aim the cleaning jet of high-pressure cleaners or hot water high-pressure cleaners on electrical or electronic components.
- ▶ Never aim the cleaning jet of the high pressure cleaner directly on lubrication points, bearings, rating plates, warning signs, and stickers.
- ▶ Always maintain a minimum distance of 30 cm between the high-pressure nozzle and the implement.
- ▶ Do not exceed a water pressure of 120 bar.



CMS-I-00002692

- ▶ Clean the machine with a high-pressure cleaner or a hot water high-pressure cleaner.

## 10.4 Storing the implement

CMS-T-00005282-A.1



### IMPORTANT

#### Implement damage due to corrosion

Dirt attracts moisture and leads to corrosion.

- ▶ Store the implement only in a clean state and protected from the weather.

1. Clean the machine.
2. Protect unpainted components from corrosion using a suitable corrosion inhibitor.
3. Grease all lubrication points. Remove excess grease.
4. Park the implement in a sheltered place.

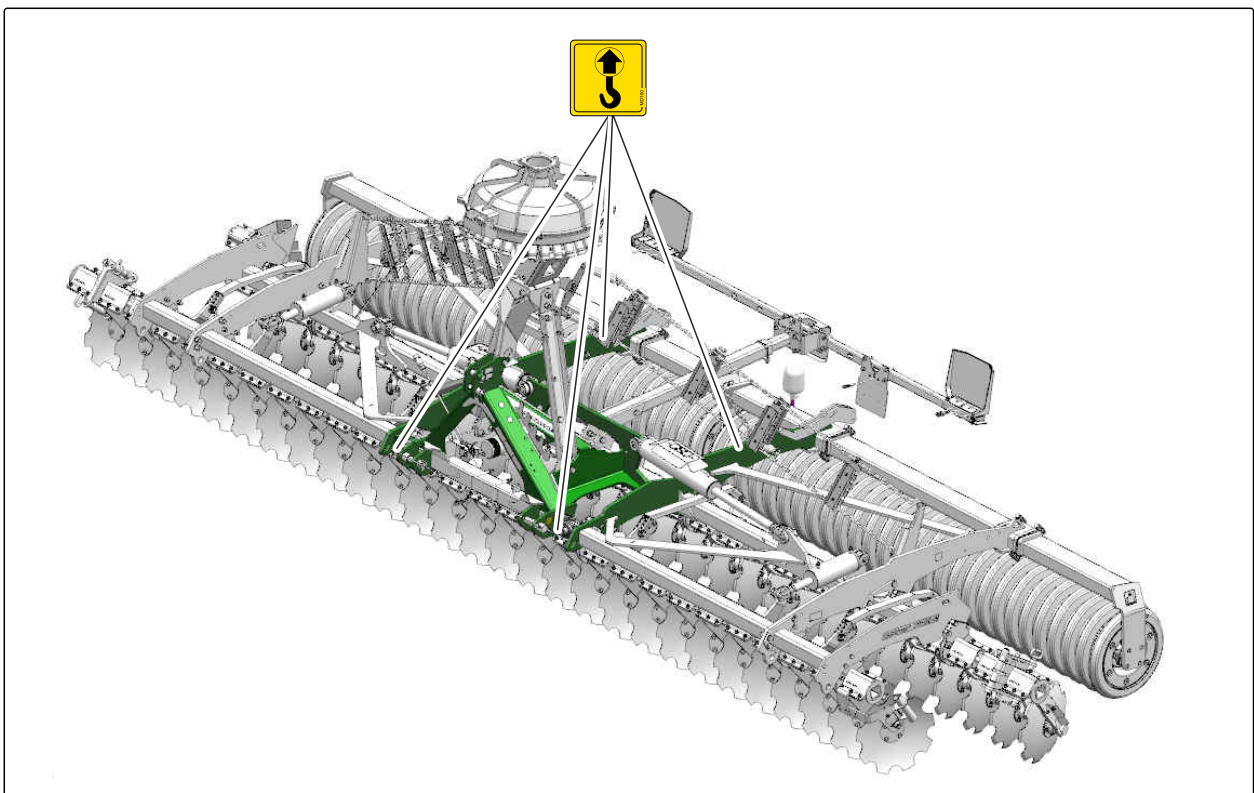
# Loading the implement

# 11

CMS-T-00017349-A.1

## 11.1 Loading the implement with a crane

CMS-T-00017350-A.1



CMS-I-00011793

The implement has 4 lashing points for slings for lifting.



### WARNING

#### Risk of accidents due to improperly attached slings for lifting

If the slings are not attached at the marked lashing points, the implement can be damaged during lifting and endanger safety.

- ▶ Only attach the slings for lifting at the marked lashing points.

## 11 | Loading the implement

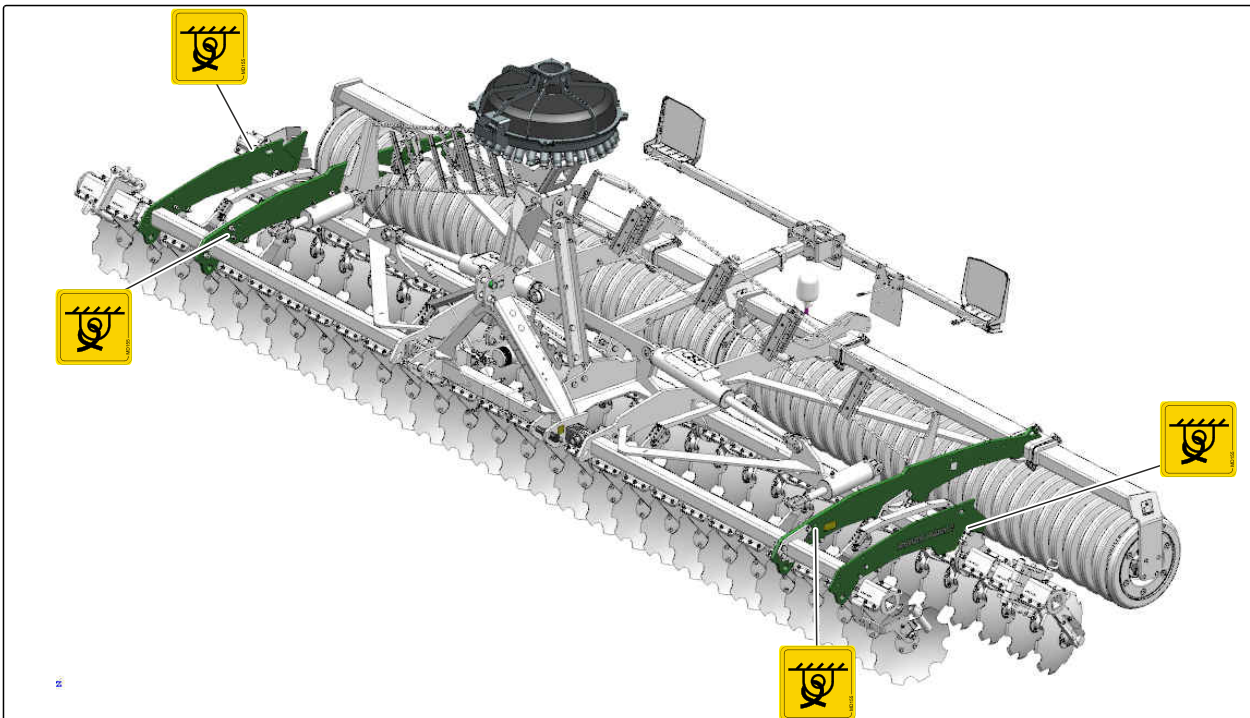
### Lashing the implement

1. Attach the slings for lifting on the intended lashing points.
2. Slowly lift the implement.

## 11.2 Lashing the implement

CMS-T-00017351-A.1

The implement has 4 lashing points for lashing straps.



CMS-I-00011795



### WARNING

#### Risk of accidents due to improperly attached lashing straps

If the lashing straps are not attached at the marked lashing points, the implement can be damaged during lashing and endanger safety.

- ▶ Attach the lashing straps only at the marked lashing points.

1. Put the implement on the transport vehicle.
2. Attach the lashing straps at the marked points.
3. Lash down the implement in compliance with the national regulations for load securing.

# Disposing of the implement

# 12

CMS-T-00010906-B.1

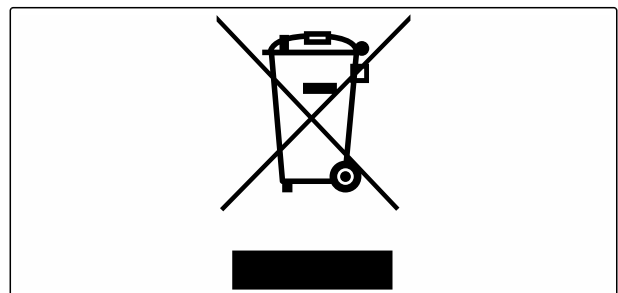


## ENVIRONMENTAL INFORMATION

### Environmental damage due to improper disposal

- ▶ Observe the regulations of the local authorities.
- ▶ Observe the symbols on the implement regarding disposal.
- ▶ Observe the following instructions.

1. Components with this symbol should not be disposed of with household waste.



CMS-I-00007999

2. Return batteries to the distributor  
or  
Dispose of batteries at a collection point.
3. Put recyclable materials in the recycling.
4. Treat operating materials like hazardous waste.



## WORKSHOP WORK

5. Dispose of the coolant.

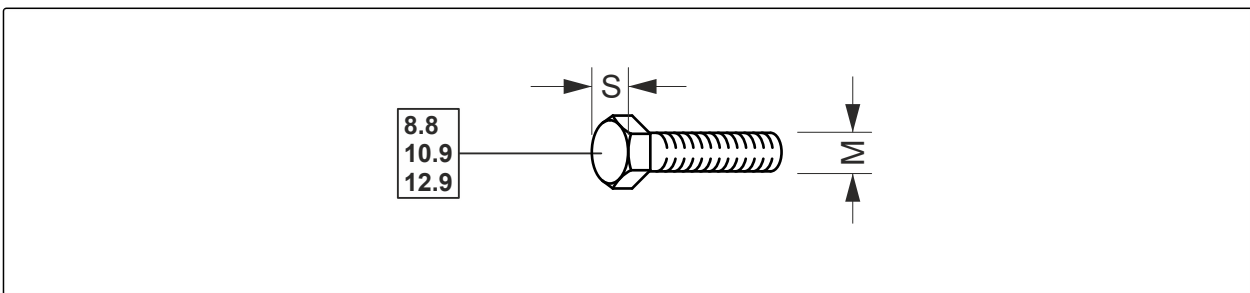
# Appendix

# 13

CMS-T-00017311-A.1

## 13.1 Bolt tightening torques

CMS-T-00000373-E.1



CMS-I-000260

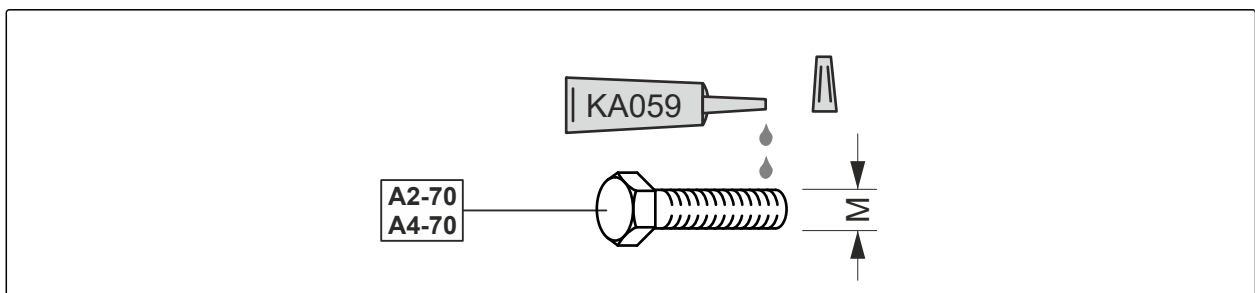
**NOTE**

Unless specified otherwise, the bolt tightening torques listed in the table apply.

M	S	Strength classes		
		8.8	10.9	12.9
M8	13 mm	25 Nm	35 Nm	41 Nm
M8x1		27 Nm	38 Nm	41 Nm
M10	16(17) mm	49 Nm	69 Nm	83 Nm
M10x1		52 Nm	73 Nm	88 Nm
M12	18(19) mm	86 Nm	120 Nm	145 Nm
M12x1.5		90 Nm	125 Nm	150 Nm
M14	22 mm	135 Nm	190 Nm	230 Nm
M 14x1.5		150 Nm	210 Nm	250 Nm
M16	24 mm	210 Nm	300 Nm	355 Nm
M16x1.5		225 Nm	315 Nm	380 Nm
M18	27 mm	290 Nm	405 Nm	485 Nm
M18x1.5		325 Nm	460 Nm	550 Nm
M20	30 mm	410 Nm	580 Nm	690 Nm
M20x1.5		460 Nm	640 Nm	770 Nm



M	S	Strength classes		
		8.8	10.9	12.9
M22	32 mm	550 Nm	780 Nm	930 Nm
M22x1.5		610 Nm	860 Nm	1,050 Nm
M24	36 mm	710 Nm	1,000 Nm	1,200 Nm
M24x2		780 Nm	1,100 Nm	1,300 Nm
M27	41 mm	1,050 Nm	1,500 Nm	1,800 Nm
M27x2		1,150 Nm	1,600 Nm	1,950 Nm
M30	46 mm	1,450 Nm	2,000 Nm	2,400 Nm
M30x2		1,600 Nm	2,250 Nm	2,700 Nm



CMS-I-0000065

M	Tightening torque	M	Tightening torque
M4	2.4 Nm	M14	112 Nm
M5	4.9 Nm	M16	174 Nm
M6	8.4 Nm	M18	242 Nm
M8	20.4 Nm	M20	342 Nm
M10	40.7 Nm	M22	470 Nm
M12	70.5 Nm	M24	589 Nm

## 13.2 Other applicable documents

CMS-T-00017312-A.1

- Tractor operating manual

# Directories

# 14

## 14.1 Glossary

CMS-T-00000513-B.1

### M

#### Machine

*Mounted implements are accessory parts of the tractor. However, mounted implements are always referred to as the implement in this operating manual.*

### O

#### Operating materials

*Operating materials serve to ensure operational readiness. Operating materials include e.g. cleaning agents and lubricants such as lubricating oil, greases or cleaners.*

### T

#### Tractor

*In this operating manual, the designation tractor is always used, even for other agricultural tractor units. Implements are mounted on the tractor or towed by the tractor.*

## 14.2 Index

<b>A</b>		Double harrow	
Additional license plate	34	<i>Adjusting the tilt</i>	54
Address		<i>height adjustment</i>	54
<i>Technical editing</i>	4	<i>Position</i>	23
Aids	34	<b>F</b>	
<b>B</b>		Folding	50, 62, 63, 73
Backstop profiles for lower links		<i>Secure sections</i>	62
<i>attachment</i>	46	Front axle load	
Ballasting		<i>calculation</i>	41
<i>Installing ballast weights</i>	56	Front ballasting	
Ballast weights		<i>calculation</i>	41
<i>installing</i>	56	Front lighting	33
Bolt tightening torques	98	<b>G</b>	
<b>C</b>		GreenDrill	
Central lubrication		<i>Description</i>	35
<i>adjustment</i>	57	<i>filling</i>	58
<i>checking</i>	81	<b>H</b>	
cleaning		Harrow system	
<i>Implement</i>	93	12-125 HI, <i>adjusting the height</i>	51
Clearer system WW 142 HI		12-125 HI, <i>adjusting the tilt</i>	51
<i>Adjusting the scraper</i>	55	12-125 HI, <i>moving into transport position</i>	59
Concave discs		12-125 HI KWM/DW, <i>adjusting the height</i>	52
<i>Technical data</i>	37	12-125 HI KWM/DW, <i>adjusting the tilt</i>	52
Contact data		12-125 HI KWM/DW, <i>moving into transport</i>	59
<i>Technical editing</i>	4	<i>position</i>	59
<b>D</b>		12-250 HI, <i>adjusting the height</i>	53
Digital operating manual	4	12-250 HI, <i>adjusting the tilt</i>	53
Dimensions	37	12-250 HI, <i>moving into transport position</i>	60
Discs		Headlands	68
<i>Aligning the disc gangs relative to each other</i>	77	Hydraulic hose lines	
<i>Manual working depth adjustment</i>	65	<i>checking</i>	80
<i>replacing</i>	77	<i>connecting</i>	46
<i>Technical data</i>	37	<i>uncoupling</i>	75
Documents	34	Hydraulic system	
<b>E</b>		<i>connecting</i>	46
<b>F</b>		<b>I</b>	
<b>G</b>		Intended use	21
<b>H</b>			
<b>I</b>			

<b>L</b>		Roller	
		<i>Adjusting the scraper</i>	56
		<i>checking</i>	79
Lighting and identification			
<i>Front</i>	33		
<i>Position</i>	23		
<i>Rear</i>	33		
loading	95		
Loading			
<i>with a crane</i>	95		
Loads			
<i>calculation</i>	41		
Lower link pin			
<i>checking</i>	79		
Lubricants	40		
lubricating	91		
<b>O</b>			
Operation	67		
Overview of lubrication points	91		
Overwintering	94		
<b>P</b>			
Performance characteristics of the tractor	38		
Power supply			
<i>coupling</i>	48		
<i>uncoupling</i>	74		
Product description			
<i>Additional license plate</i>	34		
<b>R</b>			
Rating plate			
<i>Description</i>	34		
Rating plate on the implement			
<i>Position</i>	23		
Rear axle load			
<i>calculation</i>	41		
Rear lighting	33		
Road safety bars			
<i>attachment</i>	61		
<i>removing</i>	64		
Road travel			
<i>Swivel down the side disc</i>	63		
<i>Swivelling up the side disc</i>	61		
		Soil tillage tool	37
		Special equipment	24
		Spirit level	
		<i>Position</i>	23
		Spring blade system	
		<i>adjustment</i>	55
		Spring clearer system	
		<i>adjustment</i>	55
		Storage	94
		Support wheels	
		<i>Position</i>	23

<b>T</b>			
Technical data		Working depth adjustment	
<i>Concave discs</i>	37	<i>Position</i>	23
<i>Dimensions</i>	37	<i>Synchronising the hydraulic cylinders</i>	66
<i>Discs</i>	37	Working depth	
<i>drivable slope inclination</i>	39	<i>Adjusting the side guide plates</i>	67
<i>Forward speed</i>	38	<i>hydraulically</i>	66
<i>Lubricants</i>	40	<i>Manual disc adjustment</i>	65
<i>Noise development data</i>	39	<i>Side discs, adjusting</i>	66
<i>Performance characteristics of the tractor</i>	38	Working speed	38
<i>Slurry spreader</i>	38	Workshop work	3
<i>Soil tillage tool</i>	37		
Threaded cartridge			
<i>Description</i>	34		
<i>Position</i>	23		
Three-point mounting frame			
<i>Adjusting for mounting category 3</i>	44		
<i>Adjusting for mounting category 4</i>	45		
<i>coupling</i>	49		
<i>uncoupling</i>	73		
Top link pin			
<i>checking</i>	79		
Total weight			
<i>calculation</i>	41		
Tractor			
<i>Calculating the required tractor characteristics</i>	41		
Tractor control units			
<i>locking</i>	62		
Trailing elements			
<i>Adjusting the double harrow</i>	54, 54		
<i>adjustment</i>	51, 51, 52, 52, 53, 53, 55, 55		
Transport speed	38		
Tyre load capacity			
<i>calculation</i>	41		
<b>U</b>			
unloading	95		
<b>W</b>			
Warning beacon			
<i>Position</i>	23		
Warning symbols	25		
<i>Description</i>	27		
<i>Layout</i>	27		
<i>Positions</i>	25		







**AMAZONE**

**AMAZONEN-WERKE**

H. DREYER SE & Co. KG

Postfach 51

49202 Hasbergen-Gaste

Germany

+49 (0) 5405 501-0

[amazone@amazone.de](mailto:amazone@amazone.de)

[www.amazone.de](http://www.amazone.de)