

Centrifugal Broadcaster

ZA-XW Perfect 502

Operation Manual



MG 668
DB 554 (GB) 02.01
Printed in Germany

GB

IRL



**Before starting work,
please carefully read
and adhere to this
operation manual and safety
advice!**





Preface

Dear Customer,

the centrifugal broadcasters ZA-XW Perfect 502 are machines from the comprehensive range of agricultural machinery of AMAZONEN-WERKE H. Dreyer GmbH & Co. KG.

To make full use of your newly purchased centrifugal broadcaster, please carefully read and adhere to this operation manual before starting to operate with your machine.

The instruction manual contains important hints which help to operate the machine safely, in an appropriate manner and economical. Following these hints helps to avoid danger, repair cost and non productive times and to increase the life span of the machine.

Please ensure that all operators read this operation manual before they start to operate with the machine.

The instruction manual must always be available when operating the machine.



AMAZONEN-WERKE
H. DREYER GmbH & Co. KG

Copyright © 2001 by

AMAZONEN-WERKE
H. DREYER GmbH & Co. KG
D-49202 Hasbergen-Gaste

All rights reserved



| | | |
|------------|---|-----------|
| 1.0 | Details about the machine | 6 |
| 1.1 | Range of application | 6 |
| 1.2 | Manufacturer | 6 |
| 1.3 | Conformity declaration | 6 |
| 1.4 | Details when making enquiries and ordering | 6 |
| 1.5 | Identification | 6 |
| 1.6 | Technical data | 7 |
| 1.6.1 | Operational data | 7 |
| 1.6.2 | Hydraulic system | 7 |
| 1.6.3 | Details about noise level | 7 |
| 1.7 | Declined use of the machine | 8 |
| 2.0 | Safety | 9 |
| 2.1 | Dangers when not adhering to the safety advice | 9 |
| 2.2 | Qualification of operator | 9 |
| 2.3 | Specification of 'hints' in the operation manual | 9 |
| 2.3.1 | General danger symbol | 9 |
| 2.3.2 | Attention symbol | 9 |
| 2.3.3 | Hint symbol | 9 |
| 2.3.4 | Warning pictographs and hint symbols on the machine | 10 |
| 2.4 | Safety conscious operation | 16 |
| 2.5 | Safety advice for the operator | 16 |
| 2.5.1 | General safety and accident preventive advice | 16 |
| 2.5.2 | General safety and accident preventive advice regarding the mounted implement 18 | |
| 2.5.3 | General safety and accident preventive advice regarding the pto shaft | 19 |
| 2.5.4 | General safety and accident preventive advice regarding the hydraulic system .. | 20 |
| 2.6 | General safety and accident prevention advice for maintenance, repair and cleaning | 21 |
| 3.0 | Description of product | 22 |
| 3.1 | Function | 23 |
| 4.0 | On receipt of the machine | 24 |
| 4.1 | Control of function | 25 |
| 4.2 | Fitting the pto shaft | 25 |



| | | |
|------------|--|-----------|
| 5.0 | Mounting and dismounting the centrifugal broadcaster | 28 |
| 5.1 | Mounting | 29 |
| 5.2 | Dismounting | 30 |
| 5.3 | Matching the pto shaft when fitting for the first time or when changing tractors ... | 31 |
| 6.0 | Travelling to the field - Transport on public roads | 32 |
| 6.1 | Conversions on tractor and centrifugal broadcaster for road Transport | 33 |
| 7.0 | Putting to operation | 34 |
| 7.1 | Setting and use of the fertiliser spreader | 34 |
| 7.1.1 | Mounting height | 35 |
| 7.1.1.1 | Normal fertilising | 35 |
| 7.1.1.2 | Late top dressing | 36 |
| 7.1.2 | Spread rate | 37 |
| 7.1.3 | Working width | 39 |
| 7.1.3.1 | Swivelling the spreading vanes | 40 |
| 7.1.3.2 | Checking the working width with the mobile test kit (option) | 41 |
| 7.1.4 | Spreading on field boundaries | 42 |
| 7.1.4.1 | Boundary or headland spreading with the boundary spreading vane "Tele-Quick" | 42 |
| 7.1.4.1.1 | Boundary spreading according to fertiliser application legislation | 43 |
| 7.1.4.1.2 | Field side spreading beside owned, equally to be treated areas | 43 |
| 7.1.4.1.3 | Setting and fitting the border spreading vane "Tele-Quick" | 44 |
| 7.1.4.2 | Border spreading with the boundary spread deflector (option) | 46 |
| 7.1.5 | Switching on and off agitator head | 47 |
| 7.1.6 | Spreading pressure sensitive fertilisers | 47 |
| 7.2 | Operation | 48 |
| 7.2.1 | Filling | 48 |
| 7.2.2 | Spreading operation | 48 |
| 7.2.2.1 | Spreading on the place of operation | 49 |



| | | |
|------------|--|-----------|
| 8.0 | Maintenance and Repair | 50 |
| 8.1 | Cleaning | 50 |
| 8.2 | Lubrication | 51 |
| 8.2.1 | Greasing of pto shaft | 51 |
| 8.2.2 | Lubrication chart of the centrifugal broadcaster | 51 |
| 8.2.3 | Checking the gear box oil level | 52 |
| 8.3 | Shear-off safety for the pto shaft | 52 |
| 8.4 | Checking the space between agitator finger/hopper wall and spreading vane/ deflector plates | 53 |
| 8.5 | Checking and correcting the basic setting of the shutter slides | 53 |
| 8.6 | Exchange of spreading vanes | 55 |
| 8.7 | Exchange of swivel blades | 55 |
| 8.8 | Wear on the hopper bottom | 55 |
| 9.0 | Special optional equipment | 56 |
| 9.1 | Boundary spreading vane Tele-Quick | 56 |
| 9.2 | Boundary spread deflector | 56 |
| 9.2.1 | Fitting the boundary spread deflector | 56 |
| 9.3 | Rear light kit with warning plates | 57 |
| 9.4 | Two-way-valve unit | 57 |
| 9.4.1 | Fitting the two-way-valve unit | 58 |
| 9.5 | Pto shaft with friction clutch | 59 |
| 9.6 | P.T.O.-shaft "Tele-Space" | 60 |
| 9.7 | Row spreading device for special crop | 60 |

6 Details about the machine



1.0 Details about the machine 1.5 Identification

1.1 Range of application

The centrifugal broadcaster ZA-XW Perfect 502 has been designed for spreading dry, granular, prilled and crystalline fertilisers as well as for seeds and slug pellets.

1.2 Manufacturer


AMAZONEN-WERKE
H. DREYER GmbH & Co. KG
Postfach 51,
D-49202 Hasbergen-Gaste / F. R. Germany

1.3 Conformity declaration

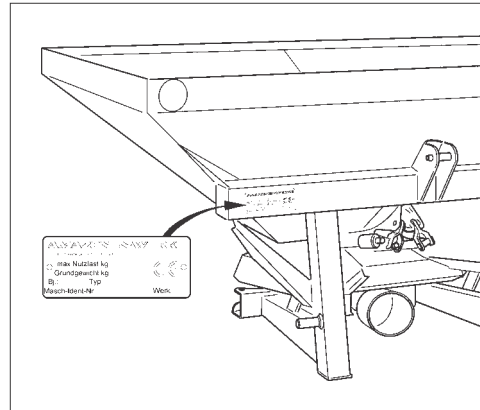
The centrifugal broadcaster fulfills the requirements of the EC-guide line Machine 89/392/EC and the corresponding additional guide lines.


1.4 Details when making enquiries and ordering

When ordering options or spare parts the machine type and the serial number of the spreader have to be included.

 **The safety requirements are only fulfilled when in the event of repair original AMAZONE spare parts are used. Using other parts may rule out the liability for resulting damages.**

Type plate on the machine.



 **The entire identification is of documentary value and may not be changed or disguised!**



1.6 Technical data

| | |
|--------------------------|------------|
| ZA-XW Perfect Typ | 502 |
| Hopper capacity [l] | 500 |
| Payload [kg] | 1000 |
| Net weight [kg] | 175 |
| Filling height [m] | 0,93 |
| Filling width [m] | 0,90 |
| Length [m] | 1,30 |
| Width [m] | 1,03 |
| Total height [m] | 0,95 |
| Power requirement[kw] | 30 |

1.6.1 Operational data

Number of revolutions of pto shaft: **540 1/min.**
(Observe data in the setting chart).

Max. working pressure of hydraulic system:
230 bar.

1.6.2 Hydraulic system

For the hydraulic single shutter control two single acting spool valves on the tractor are required.

If the tractor is provided with only one single acting spool valve, a two-way valve unit is required for the hydraulic single shutter actuation (option).

1.6.3 Details about noise level

The tractor operator seat related emission value (sound pressure level) is 74 dB (A), measured when operating with closed tractor cab at the ear of the tractor operator.

Measuring implement: OPTAC SLM 5.

The value of the sound pressure level mainly depends on the vehicle used.



1.7 Declined use of the machine

The centrifugal broadcaster **ZA-XW Perfect 502** has exclusively been designed for the usual agricultural operation in special crops, as e. g. in vineyards, fruit- and hop growing. The broadcaster is suited for the application of dry, granular, prilled and crystalline fertiliser as well as for seeds.

Slopes up to 20% inclination can be spread, on steeper slopes the spread pattern is too uneven.

Any use beyond the one stipulated above is no longer considered as designed use. . Therefore the operator himself carries the full risk.

Under "designed use" also the adhering to the manufacturer's prescribed operation maintenance and repair conditions as well as the exclusive use of original AMAZONE spare parts is to be understood.



Any damage resulting from arbitrary changes on the machine rule out the responsibility of the manufacturer.

Though machines having been manufactured with great care certain deviations when spreading fertiliser cannot totally be excluded even at a declined use: These deviations may be caused e.g. by:

- Varying composition of fertiliser and seed (e.g. granule size distribution, specific density, granule shape, dressing, sealing).
- Drifting.
- Blocking up or bridging (e.g. by foreign particles, bag residue, damp fertiliser etc.).
- undulated terrain.
- Wear of wearing parts (e.g. spreading blades. . .).
- Damage by external influence.
- Wrong drive-R.P.M. and travelling speed.
- Fitting wrong spreading discs (e.g. mixing them up).

- Wrong setting of the machine (incorrect mounting, not adhering to the spreading chart).

Claims regarding damage not having occurred on the AMAZONE centrifugal broadcaster itself will be rejected. This also applies to damages due to spreading errors.

2.0 Safety

This operation manual contains basic hints, which have to be observed when mounting, operating and maintaining the machine. Thus, this operation manual has implicitly to be read by the operator before starting to operate and has to be made available to him.

All safety advice of this operation manual have to be observed most carefully and to be adhered to.

2.1 Dangers when not adhering to the safety advice

Not adhering to the safety advice

- may result in endangering persons, also the environment and on the machine itself.
- may result in the loss of any claim for damages.

Not paying attention to the safety advice may cause, for example the following risks:

- Danger to persons within the working width.
- Failure of important functions of the machine.
- Failure of prescribed measures for maintenance and repair.
- Danger for persons by mechanical or chemical affects.
- Danger to persons or to the environment by leaking hydraulic oil.

2.2 Qualification of operator

The centrifugal broadcaster ZA-XW Perfect 502 may only be operated, maintained and repaired by persons, who are acquainted with it and have been informed of the relevant dangers.

2.3 Specification of 'hints' in the operation manual

2.3.1 General danger symbol

The safety advice in this operation manual, which may lead to a danger of persons when not being observed, are identified with the general danger symbol (Danger symbol according to DIN 4844-W9).



2.3.2 Attention symbol

Attention symbols which may cause dangers for the machine and its function when not being adhered to, are identified with the Attention symbol:



2.3.3 Hint symbol

Hints regarding machine's specific particularities, which have to be adhered to for a faultless function of the machine are identified with the hint symbol:





2.3.4 Warning pictographs and hint symbols on the machine

- The warning pictographs indicate dangerous points on the machine. Observing these pictographs means safety for all persons using this machine. The warning pictographs always come together with safety/warning symbols.
- The hint symbols mark machine's specific points which have to be observed to ensure correct function of the machine..
- Strictly observe all warning pictographs and hint symbols.!
- Please pass on all safety advice to other users!
- Please always keep all warning pictographs and hint signs clean and in readable condition. Please ask for replacement of damaged or missing signs from your dealer and attach to relevant place (picture-No.: = Order-No.)!
- Fig. 2.1 and Fig. 2.2 show the fixing points of warning pictographs and hint signs. Please refer to the following pages for relevant explanations.

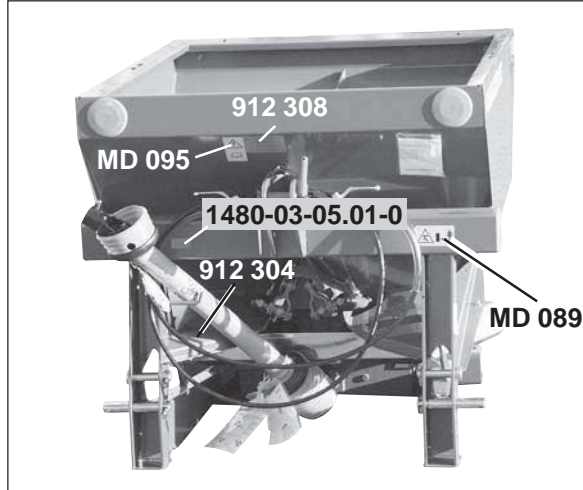


Fig. 2.1

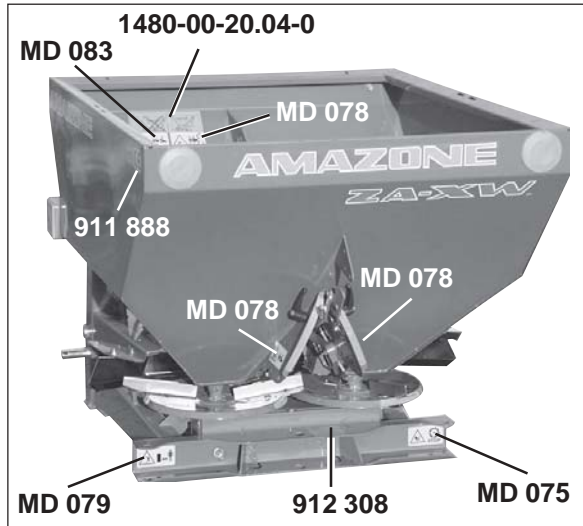



Fig. 2.2

Picture No.: 912 304



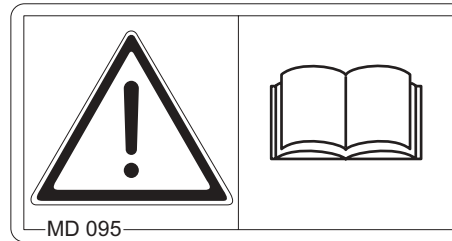
- Ⓓ Gelenkwellenlänge beachten (sonst Getriebschaden). Siehe Betriebsanleitung.
- Ⓕ Veiller impérativement à la longueur de la transmission (risque d'endommagement du boîtier). Voir le manuel d'utilisation.
- ⒼⒷ Check correct p.t.o. shaft length (otherwise gearbox damage will result). - see instruction book.
- ⒼⒹ Geeft aandacht aan de lengte van de aftakas zoals de gebruikshandleiding aangeeft, anders kan de aandrijfkast beschadigen.

912 304


Picture No.: MD 095

Explanation:

Before commencing work read the operation manual and safety advice thoroughly!



Picture No.: 912 336




- Ⓓ Zapfwelle nur bei niedriger Motordrehzahl inkuppeln. Bei Überlastung schert die Sicherungsschraube ab. Bei häufigem Abscheren Gelenkwelle mit Reibkupplung einsetzen.
- Ⓕ La prise de force ne doit être enclenchée qu'à régime moteur réduit. En cas de surcharge, la vis de sécurité se casse. En cas de cisaillement fréquent, utiliser une transmission avec limiteur de couple à friction.
- ⒼⒷ Engage pto-shaft only at low engine speed. In case of overstrain the shear bolt shears off. If shear bolt shears off too frequently we recommend the use of a pto shaft with friction clutch.
- ⒼⒹ Aftakas alleen bij laag motortoerental inkoppelen. Bij overbelasting breekt de breekbout af. Bij dikwijls breken een aftakas met slipkoppeling toepassen.

912 336



Picture No.: 912312



- D
 - 1. Vorderachsentlastung des Schleppers beachten.
 - 2. Rührfinger, Auslauföffnungen und Streuschaufeln sauber und funktionsfähig halten.

- F
 - 1. Veiller à la bonne adhérence de l'essieu avant.
 - 2. Maintenir propres et opérationnels les agitateurs, les orifices d'alimentation et les aubes.

- GB
 - 1. Bear in mind front axle weight reduction.
 - 2. Always keep agitator fingers, outlets and vanes clean and replace when worn or damaged.

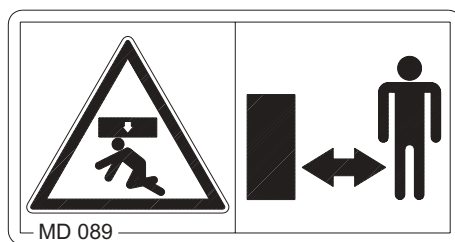
- NL
 - 1. Op de vooras ontlasting van de traktor letten.
 - 2. Roerdervingers, uitloop-openingen en strooischoppen schoon en bedrijfs gereed houden.

912 312

Picture No.: MD 089

Explanation:

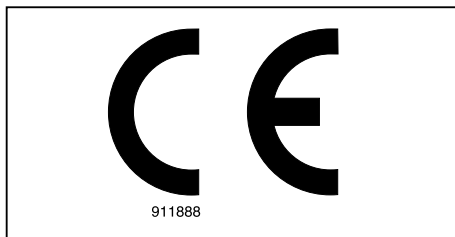
Never work under a lifted fertiliser spreader (unsecured load).



Picture No.: 911 888

Explanation:

The CE-mark indicates, that the machines fulfills the requirements of the EC-guide lines Machine 89/392/EWG and the corresponding additional guide lines.

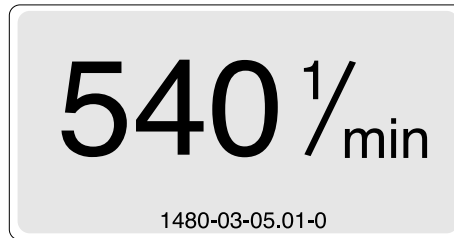




Picture No.: 1480-03-05.01-0

Explanation:

Max. pto shaft speed 540 R.P.M..



Picture No.: MD 093

Explanation:

Danger by rotating machine parts!

Never touch rotating shafts, spreading discs etc.!

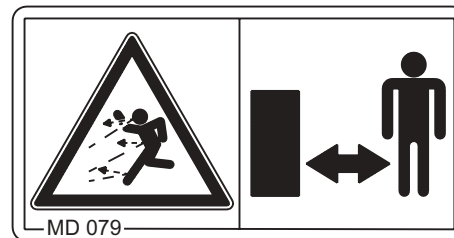


Picture No.: MD 079

Explanation:

Danger because of flung fertilizer particles!

Advise people to leave the danger area.

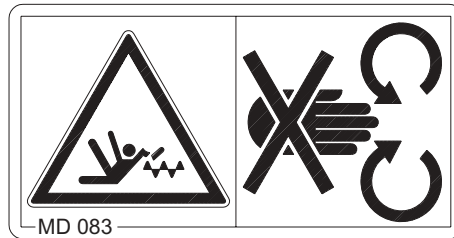




Picture No.: MD 083

Explanation:

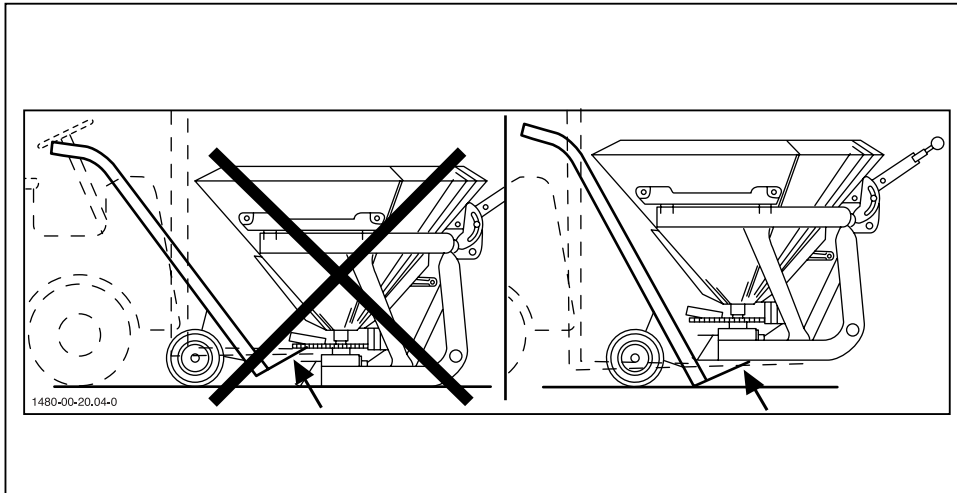
Never reach into the rotating agitator spiral!



Picture No.: 1480-00-20.04-0

Explanation:

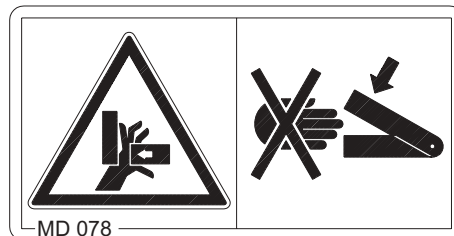
For transport do not lift centrifugal broadcaster from under the spreading discs.



Picture No.: MD 078

Explanation:

Never reach into the danger zone. Risk of bruising (e.g. shutter slides and shutter openings) as long as parts can still move.



Picture No.: MD 075

Explanation:

Do not stay within the zone of spinning spreading discs!

Do not touch moving implement parts! Await their absolute standstill!

Disengage pto-shaft, stop the engine, and remove the ignition key before exchanging the spreading discs!




Picture No.: 912 308

1) $V_{\max} = 25 \text{ km/h}$

2) $G_{AW} = \max. 1,25 \times G_{AS}; G_{AW \max} = 3t$

G_{AS} G_{AW}

 (D) Nur zulässig bei Anhängern mit Auflauf- oder Seilzugbremse.

(F) Autorisé seulement sur remorque disposant de son propre système de freinage.

(GB) Only permissible with trailers which are equipped with over-run or with Bowden cable brakes.

(NL) Uitsluitend toegestaan bij aanhangers met oploop-of-kabel-trekrem.

912 308



2.4 Safety conscious operation

Besides the safety advice in this operation manual the national, and generally valid operation safety and accident preventive descriptions of the authorized trade association are binding, especially UVV 3.1, UVV 3.2 and UVV 3.4.

The safety advice indicated on the machine stickers must be observed.

When travelling on public roads observe the traffic regulations in force in your country.

2.5 Safety advice for the operator

2.5.1 General safety and accident preventive advice



Basic principle:

Always check traffic and operational safety before putting the machine into any operation!

1. Adhere to the general rules of health- and safety precautions as well as to the hints in this instruction manual!
 2. The warning- and hint signs fixed to the machine give important hints for the safe operation of the machine. Adhering to them serves your safety!
 3. When making use of public roads adhere to the applicable traffic rules!
 4. Become acquainted with all devices and controlling elements as well as their function **before** beginning the operation. Doing this during operation would be too late!
 5. The clothing of the operator should fit tight. Avoid wearing loose clothing!
 6. To avoid risk of fire keep the machine clean!
 7. Before beginning to drive check your surroundings (children). Ensure sufficient visibility!
 8. Sitting or standing on the implement during operation or during transport is not permissible!
 9. Mount the implement only with the prescribed tools!
 10. Special care should be taken when the implement is coupled to or off the tractor!
 11. When mounting or dismounting bring parking supports into correct position (otherwise danger of tipping over)!
 12. Affix any ballast weights always as prescribed to the correct fixing points!
 13. Check maximum permissible axle loads of the tractor (see vehicle documents)!
 14. Do not exceed maximum permissible transport measurements of the traffic department!
 15. Check and fit equipment for road transport, e. g. traffic lights, warning plates guards!
 16. The release ropes for quick coupler should hang freely and in the low position these must not release the quick coupling by themselves!
 17. Never leave tractor seat during driving!
 18. Moving characteristics, steering and braking ability are affected by mounted implements, trailers and ballast weights. Therefore, take account of these effects and allow sufficient steering and braking!
-



19. When lifting the fertiliser broadcaster the front axle load of the tractor is relieved by different amounts depending on the size of the tractor. Always check that the necessary front axle load of the tractor (20 % of the tractor's net weight) is maintained!
20. When driving into bends mind the projection to the sides and the gyrating mass of the implement!
- To avoid sideways swing of the spreader during operation stabilize the lower link arms of the three-point-linkage!
21. Take implement only into operation when all guards are fixed in position!
22. **Never stay or let anyone stay within the operation area! Danger by fertiliser particles being thrown around. Before starting to operate the spreading discs make sure that nobody is standing in the spreading zone. Do not approach rotating spinner discs.**
23. Filling the fertiliser broadcaster may only be done with the tractor engine stopped, remove ignition key and close shutters.
24. Do not stay in the rotating- and swivelling range of the implement!
25. Hydraulic folding frames may only be actuated when nobody is standing in the moving range!
26. On all hydraulically actuated pivoting parts exists danger of injury by bruising and trapping!
27. Before leaving the tractor lower the implement to the ground. Actuate the parking brakes, stop the engine and remove ignition key!
28. Nobody should stand between tractor and implement if the tractor is not secured against rolling away by the parking brake and/or by chocks!
29. **Note maximum permissible filling loads! Bear in mind the fertiliser bulk density [kg/l]. The fertiliser bulk densities can be read off the spreading table and have to be determined.**
- | | |
|-------------------|---------|
| | Payload |
| ZA-XW Perfect 502 | 1000 kg |
30. If a trailer hitch is provided it must only be used for towing suitable implements or twin axle trailers if:
- the maximum speed of **25 kph** is not exceeded,
 - the trailer has a run-on brake or a brake which can be actuated by the tractor operator,
 - the permissible total weight of the trailer is not more than **1.25 times** the permissible total weight of the tractor, however, **3 tons** is maximum.
- Single axle trailers must not be towed by tractor mounted machinery under any circumstances.**
31. Do not place any foreign objects inside the hopper!
32. During the calibration test watch out for danger zones due to rotating parts of the machine!
33. **Never park or move the fertiliser broadcaster with filled hopper (danger of tipping over).**
34. If the implement is transported over longer distances with filled hopper, close shutters and disengage pto (while travelling to the field), open the shutter slides entirely before starting the spreading operation, e. g. before engaging the pto-shaft. Then **slowly engage the pto-shaft** and execute a short



spreading on the spot Only now, after having set the shutters onto the desired spreading rate start spreading.

35. If spreading on field boundaries, waters or roads use the boundary spread deflector!

36. **Before any operation check for a perfect seat of fixing parts, especially for spreading disc- and spreading vane-fixing.**

2.5.2 General safety and accident preventive advice regarding the mounted implement

1. Before mounting- and dismounting implements to the three-point-linkage bring all control levers into a position that unintended lifting or lowering is impossible.
 2. When fitting to the three-point linkage the mounting categories on the tractor and the implement must coincide!
 3. Within the range of the three-point linkage danger of bruising and shearing!
 4. When actuating the control levers for the three-point linkage never stand between tractor and implement!
 5. In transport position always take care for sufficient lateral locking of the tractors' three-point linkage.
 6. When driving on public roads with lifted implement the control lever has to be locked against unintended lowering!
 7. Mount and dismount implements as described. Check braking systems for function. Mind manufacturer advice!
 8. Working implements should only be transported and driven on tractors which are designed to do this!
-



2.5.3 General safety and accident preventive advice regarding the pto shaft

1. Use only pto shafts which are designed for the implement and which are equipped with all legally requested guards!
 2. Guard tubes and cones of the pto shaft as well as tractor and implement pto guards must be fitted and kept in the correct place.
 3. Note the described pto-shaft tube guards in transport- and operating position (refer to operation instruction of the pto shaft manufacturer).
 4. Mounting and dismounting pto shaft only with disengaged pto shaft, stopped motor and removed ignition key!
 5. Always care for correct fitting and securing of pto shaft!
 6. Prevent pto guard from spinning by fixing the chains provided.
 7. Before engaging the pto shaft ensure that the chosen pto-speed of the tractor corresponds to the allowable implement input speed. Usually the pto shaft speed is 540 R.P.M. (please refer to details in the spreading chart).
 8. Slow engagement of the pto shaft protects tractor and spreader.
 9. When using the ground speed related pto shaft note that the speed is related to the forward speed and that the sense of rotation reverses when backing up.
 10. Before switching on the pto shaft nobody is allowed to stand in the area of the spinning pto- or universal joint shaft!
 11. Never switch on the tractor pto while the engine is stopped!
 12. When operating with the pto shaft nobody is allowed to stand in the area of the spinning pto- or universal joint shaft!
 13. Always switch off pto shaft when it is in an adverse position or not needed. Switch off pto shaft as soon as the machine's outlet openings have been shut off.
 14. Attention! After switching off the pto shaft the mounted implement may still continue to run by its dynamic masses.

During this period never come too close to the implement. Begin work only after the implement has come to a full standstill.
 15. Clean and grease the universal joint shaft and the pto-driven implement only after the pto shaft and engine have been stopped and ignition key removed.
 16. Deposit removed pto shaft on the provided carrier!
 17. After removal of the pto shaft replace protective cap over the tractor's pto.
 18. Remedy of damages is to be undertaken before starting to operate with the implement.
-



2.5.4 General safety and accident preventive advice regarding the hydraulic system

1. Hydraulic system is under high pressure!
 2. When connecting hydraulic rams and engines the described connection of the hydraulic hoses has to be noted!
 3. When connecting the hydraulic hoses to the tractor's hydraulics take care that the hydraulics are pressureless on the tractor as well as on the implement side!
 4. At hydraulic function connections between tractor and implement, the sockets and plugs should be colour coded in order to avoid incorrect operation. When mixing up connections, danger of reverse function, e. g. lifting instead of lowering. **Danger of accident!**
 5. The hydraulic hoses should be checked before the first use and thereafter at least once a year for their operational safety by an expert! Exchange hydraulic hoses in case of damage or ageing! The replacement hoses must correspond to the technical demands of the machine manufacturer!
 6. When searching for leaks appropriate aids should be used due to danger of injury!
 7. Liquids (hydraulic oil) penetrating under high pressure may penetrate the skin and cause severe injuries. In case of injuries immediately see a doctor. Danger of infection!
 8. Before starting to do any repair work on the hydraulic system, lower implement, relieve system from pressure and switch off the engine!
 9. The period of use of any hose circuit should not exceed six years including a possible storing period of two years in maximum. Also when stored and used properly, hoses and hose circuits age. Therefore, their longevity and period of use is limited. Deviations from the above may be accepted depending on the experience made and the danger potential. For hoses and hose circuits made of thermoplasts other guide lines may prevail.
-



2.6 General safety and accident prevention advice for maintenance, repair and cleaning

1. Repair, maintenance- and cleaning operations as well as remedy of function faults should principally be conducted with a stopped drive and engine. Remove ignition key!
 2. Check nuts and bolts regularly (for the first time after 3- 4 hopper fillings) for tightness and retighten if necessary!
 3. When doing maintenance work on the lifted implement make sure that it is secured by proper supports!
 4. Dispose of oil, grease and filters in the appropriate manner!
 5. Before doing any repair work on the electric disconnect power supply!
 6. Before conducting electric welding operations on tractor or on the mounted implement, remove cable from generator and battery.
 7. Any spare parts fitted must, in minimum, meet with the implement manufacturers' fixed technical standards. This is, for example, ensured by using original **AMAZONE** spare parts.
-



3.0 Description of product

The centrifugal broadcaster ZA-XW Perfect 502 has been designed for mounting to the rear three-point-hydraulic (Cat.I and II) of the tractor (Fig. 3.1).

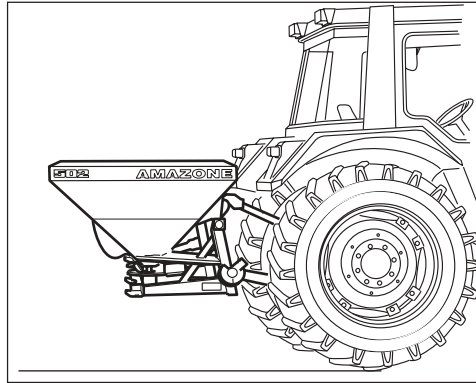


Fig. 3.1

The spreader (Fig. 3.2) consists of four assembly groups:

- Frame (1)
- Hopper, with two tips (2)
- Gear box (3)
- two "Omnia-Set" spreading discs (4).

As standard the centrifugal broadcaster is equipped with:

- "Omnia-Set"-spreading discs with swivel blades for late top dressing (only on the shorter spreading vanes (180 mm)).
- Hydraulic single shutter control for individual actuation of the shutters.
- Agitator head disengagement, for switching off the agitator head when spreading to one side.

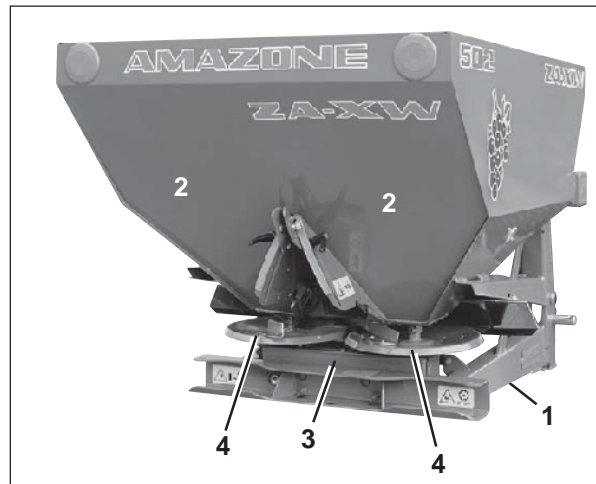


Fig. 3.2

3.1 Function

The spreading material slides along the hopper walls to the outlet opening (3.3/1). Disengageable agitator heads (3.3/2) at the base of the hopper provide even fertiliser delivery to the spreading discs.

The "Omnia-Set" spreading discs (3.4/1) rotate in the arrow direction and are each equipped with a short (3.4/2) and a long (3.4/3) spreading vane.

By swivelling the spreading vanes on the spreading discs the working widths can be varied between 10 and 18 m -dependent on the relevant kind of fertiliser. The setting of the steplessly swivelling spreading vanes is done according to the data in the setting chart. The relevant setting values are read off the **scales (3.4/4)**. The **adjustable row spreading device** for fruit- and hop culture (special option) allows the setting of **working widths** between **2 and 5 m**.

An upward swivelling of the swivel blades supplied as standard (3.4/5) provides a conversion for late top dressing without any tools.

For the **spread rate setting** the required **shutter position** for the desired spread rate can be set with the aid of the setting levers (3.5/1) (The setting levers are the stop for the shutters). The setting of the setting levers is carried out along the scale (3.5/2) according to the date in the **ZA-XW setting chart**. The necessary **shutter position** is read off the **scale (3.5/2)** and is achieved when the shutters rest on the setting lever.

Adjusting the setting lever to a higher figure on the (3.5/2) means:

- larger opening diameter of the outlet openings.
- higher spread rate.

The shutter slides are shut via hydraulic rams and opened by tensioning springs.

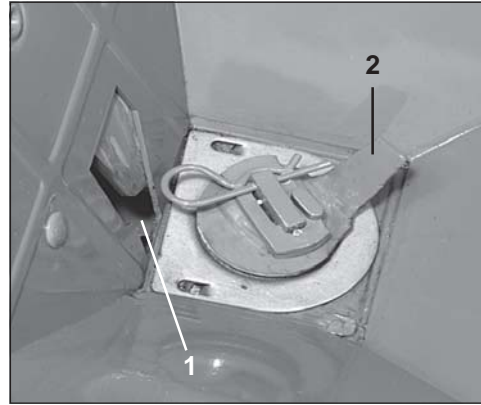


Fig. 3.3

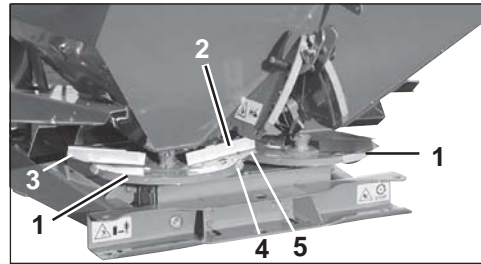


Fig. 3.4

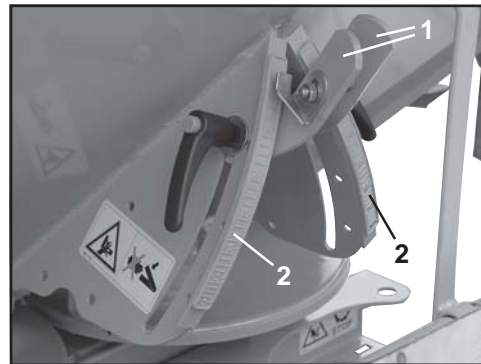


Fig. 3.5



4.0 On receipt of the machine

The scope of delivery consists of the centrifugal broadcaster (4.1/1) and the pto shaft (4.1/2).

Check completeness of the machine according to the delivery note. Check parts for transport damages.

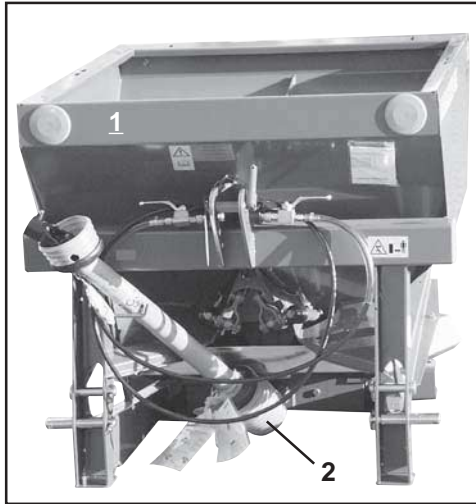


Fig. 4.1



The centrifugal broadcasters AMAZONE ZA-XW Perfect 502 are always equipped with spreading discs "Omnia-Set" (4.2/1) and the swivel spreading vanes (4.2/2 and 4.2/3).



Check the correct fitting of the scales (4.2/4 and 4.2/5) on the spreading discs. The scales on the left hand spreading disc are marked with "left hand" [links] and on the right hand one with "right hand" [rechts]. The scales (4.2/4) with the figures of 0 to 20 belong to the shorter spreading vanes (4.2/2) and the scales (4.2/5) with the figures of 30 - 50 to the longer spreading vanes (4.2/3).



Check the correct fitting of the spreading discs. Seen in rotating direction (4.2/6) the agitator finger (4.2/7) is situated above the shorter spreading vane (4.2/2).

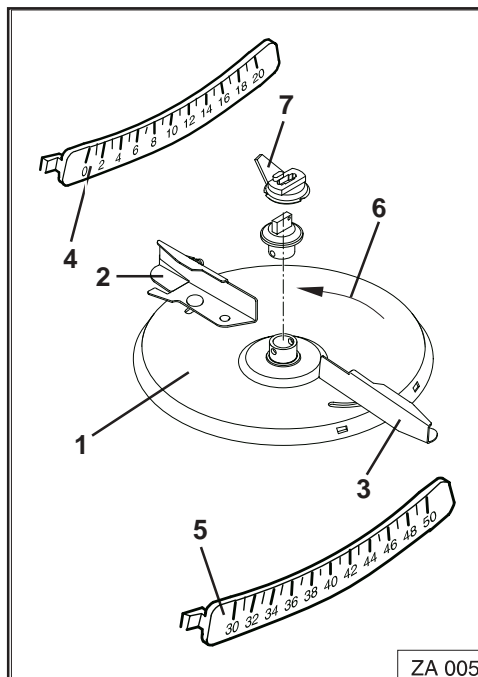


Fig. 4.2

4.1 Control of function

After receipt of the machine (4.3/1) check for proper function.

For checking the function turn by hand (4.3/1) the gearbox input shaft.

Check lubrication of the pto shaft (4.3/2) and the oil level in the gear box (see para. 8.2.3).

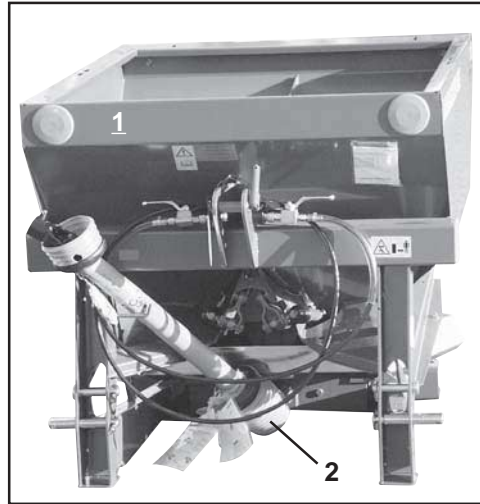


Fig. 4.3

4.2 Fitting the pto shaft



Danger of tipping over!
Only mount centrifugal broadcaster in unladen state!



Only use the pto shaft prescribed by the manufacturer. Walterscheid-pto-shaft (W100E SD05-710).



Observe the instruction manual of the pto-shaft manufacturer!

- Remove fixing bolt (4.4/1).

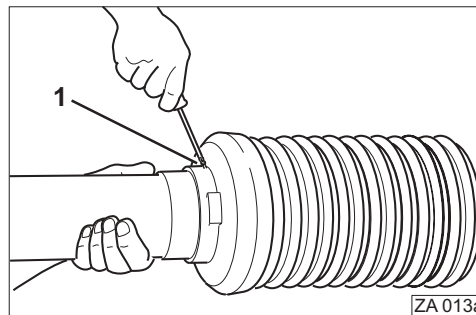


Fig. 4.4

ZA 013a



- Twist cone (4.5/1) into fitting position (4.5/2).

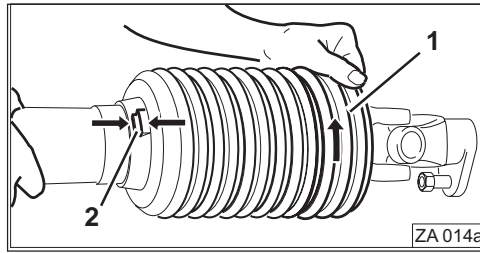


Fig. 4.5

- Pull off (4.6/1) protective half.

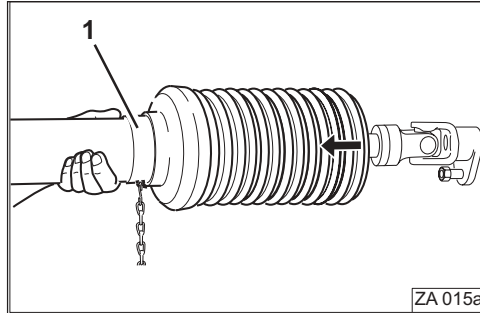


Fig. 4.6

- Tilt machine to the rear.



Before fitting the pto shaft grease gearbox input shaft.

- Slacken grease nipple (4.7/1).
- Push on pto shaft (4.7/2).
- Affix connecting yoke (4.7/3) with shear bolt (4.7/4).
- Tighten grease nipple (4.7/1).

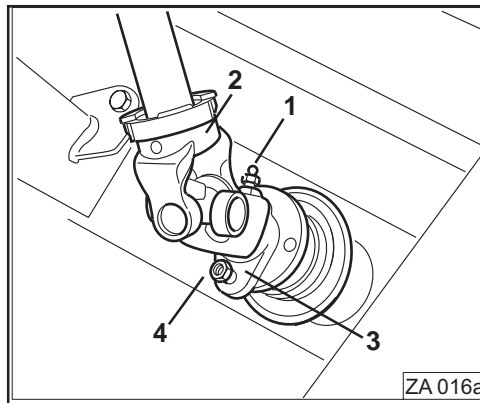


Fig. 4.7

- Push on protection half (4.8/1).
- Twist guard cone (4.8/2) into fitting position.
- Screw in lock bolt (4.8/3).
- Tilt machine to the front.

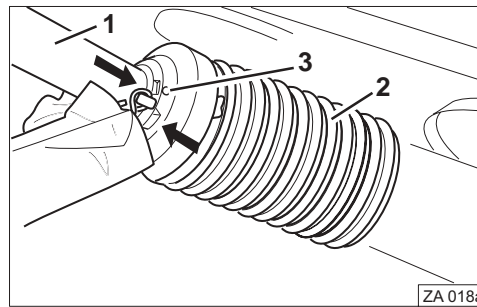


Fig. 4.8

- Push on second pto shaft half (4.9/1) and place in retainer (4.9/2).
- Secure guard tube with chain (4.9/3) on the provided fixing eye (4.9/4).

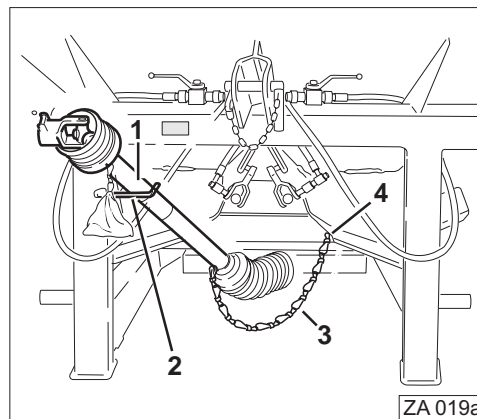


Fig. 4.9



5.0 Mounting and dismounting the centrifugal broadcaster



Danger of tipping over!
When linking up observe sufficient space for movement of the lower links.



When fitting to the three-point linkage the mounting categories on the tractor and the implement must coincide!



Danger of tipping over!
Lift machine only with attached upper link.



Mount the implement only with the prescribed tools!



Operations on the centrifugal broadcaster may only be conducted with switched off engine and pressure free hydraulic system! Remove ignition key, secure vehicle against unintended operation and rolling away!



Within the range of the three-point linkage danger of bruising and shearing! Special care should be taken when the implement is coupled to or off the tractor!



Danger of tipping over!
For mounting and dismounting always place the centrifugal broadcaster on level ground and bring lower links of the tractor on one level with the lower link pins of the broadcaster. Do not lift it in front!



Ensure a horizontal and lateral stable mounting cross ways to the driving direction to prevent the machine from swinging to and for.



Lowering the filled broadcaster must at least last two seconds. If available use a throttle.



Danger of tipping over!
Mount and dismount your centrifugal broadcaster only with an empty hopper.



Operations on the centrifugal broadcaster may only be conducted with switched off engine and pressure free hydraulic system!



Remove ignition key, secure vehicle against unintended operation and rolling away!



Danger of tipping over!
Advise people to leave danger zone behind or under the machine.

5.1 Mounting

Mount the broadcaster to the rear three-point hydraulic (Cat. I or II) of the tractor (please also refer to para. 2.5.2).

- Push lower link of the tractor onto the lower link pin (5.1/1) and secure with clip pin.
- Fix upper link with fixing pin (Cat. I or II) (5.1/2) and secure.



Never fix lower and/or upper link of Cat. II with pin Cat. I!



When adjusting the upper link advise people to leave the danger zone behind or underneath the implement.



In lifted position of the broadcaster the lower link arms of the tractor may only have little play to the sides so that the machine does not sway during the spreading operation. Secure lower link arms of the tractor with stabilising bars or chains.

- Connect the hydraulic hoses (5.2/1 and 5.2/2) of the hydraulic single shutter control each to a single acting spool valve of the tractor.



When connecting the hydraulic hoses to the tractor's hydraulic

- the hydraulic system has to be pressureless on both sides!
- the ball taps (5.2/3 and 5.2/4) must be shut off: **Position A!**
- the corresponding control valves have to be in the float position.

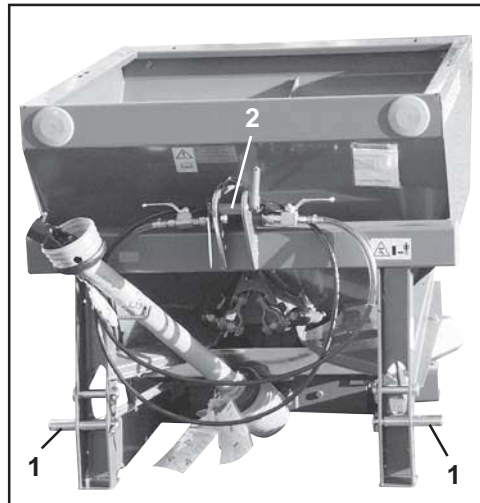


Fig. 5.1

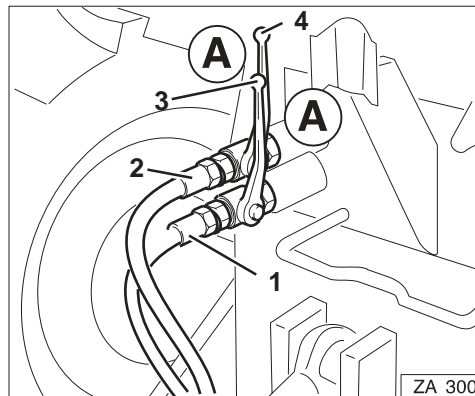


Fig. 5.2



- Push on pto shaft on the tractor's universal joint shaft.



Observe complete catching of pto shaft connection!



Match pto shaft when fitted for the first time or when changing the tractor (please also refer to para. 5.3).

- Hook in fixing chains of the pto shaft guard at tractor- and implement side so that sufficient swivel range of the pto shaft in all operating positions is ensured and that the pto shaft guard does not turn during operation.



On tractor and implement only use pto shaft with complete guard and additional guard. Replace guards immediately if they have been damaged.

- For control of function actuate shutters hydraulically and check whether they shut off and open completely.



When actuating the hydraulics never reach into the shutter opening, danger of injury!

5.2 Dismounting

- For mounting and dismounting always place the centrifugal broadcaster on level ground.
- Unplug the hydraulic connection hoses (5.3/1 and 5.3/2) and place them into the provided carriers.
- Place pto shaft (5.3/3) into the retainer (5.3/4) (see illustration).

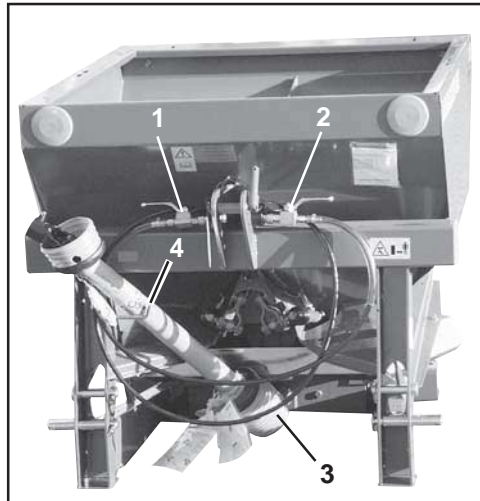


Fig. 5.3

5.3 Matching the pto shaft when fitting for the first time or when changing tractors

When fitting for the first time, match pto shaft to tractor. As this matching only applies for this specific tractor, check pto shaft matching when changing tractors.



Observe instruction manual of the pto-shaft-manufacturer!

- Pull apart the pto shaft halves.
- Fit pto shaft-half to the implement side.
- Hold the pto shaft halves (5.4/1) and (5.4/2) in shortest and longest operational position, check side by side the overlap of the pto shaft tubes.

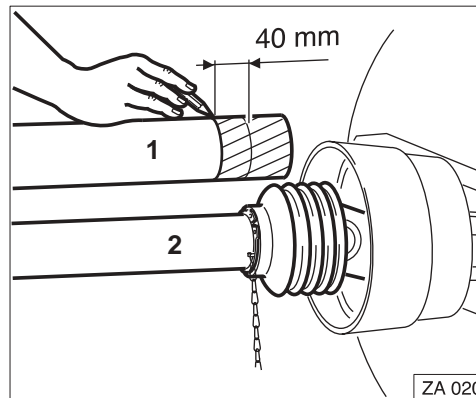


Fig. 5.4

In the closest position the pto shaft tubes may not touch the yokes of the universal joint. A safety margin of **40 mm** has to be attained.

In the longest operational position the pto shaft tube overlapping described by the pto shaft manufacturer has to be observed (please refer here to the instruction manual of the pto shaft manufacturer).

- For matching the length of the pto shaft halves hold them side by side in the closest operational position, mark and shorten according to indication of pto shaft manufacturer.
- Insert pto shaft halves into one another.
- Push on pto shaft on the tractor's universal joint shaft.



On tractor and implement only use pto shaft with complete guard and additional guard. Replace guards immediately if they have been damaged.



Observe complete catching of pto shaft connection!

- Hook in fixing chains of the pto shaft protection at the tractor- and implement side, check that a sufficient swivel range of the pto shaft in all operational positions is ensured and the pto shaft protection does not turn during operation.



6.0 Travelling to the field - Transport on public roads



Check proper function of traffic light kit.



When moving the broadcaster mounted to a tractor on public roads, observe the traffic regulations in force in your country.



Note maximum permissible filling loads and axle loads of tractor; if necessary drive on public roads with only half filled hopper.



Vehicle owners as well as the operators are responsible for adhering to the legal traffic regulations (slight national differences may be possible).



When lifting the fertiliser broadcaster the front axle load of the tractor is relieved by different amounts depending on the size of the tractor. Always check that the necessary front axle load of the tractor (20 % of the tractor's net weight) is maintained!

According to the harmonised European traffic regulations traffic lights and warning plates are required on agricultural and forestry implements mounted to tractors. These regulations read as follows:



Towing axle loads behind rear mounted implements is only exceptionally allowed. (See code of practice for mounted implements of the traffic law of your country).

- If the described rear lights, the direction blinkers or the registration No. of the tractor are hidden by the broadcaster (or other implement) they will have to be repeated on the mounted implement. If the sides of the mounted implements protrude more than 400 mm the outer edge of the light emitting source of the limiting or tail lights of the tractor, extra parking warning plates and limiting lights are required. If the mounted implement protrudes more than 1 m beyond the tail lights of the tractor, parking warning plates, rear light units and rear reflectors are required. The light units and possibly required parking warning plates and -foils can be obtained from your dealer directly. As always the latest edition of the national traffic regulations is valid, please verify them at your local traffic office.

Twin axle trailers may be towed if:

- the max. speed of 25kph is not exceeded.
- the trailer has a run-on brake or a brake which can be actuated from the tractor operator.
- the permissible total weight of the trailer is not more than 1.25 times the permissible total weight of the tractor, however, **3 tons** in maximum.



Single axle trailers must not be towed under any circumstances.



The traffic light kit has to correspond to the requirements of your national traffic law.

6.1 Conversions on tractor and centrifugal broadcaster for road Transport



The width of the vehicle has to correspond to the harmonised European traffic regulations and may not exceed 3 m, e. g. with the row spreading attachment (special option) for maize fertilising.



Lift the tractor mounted broadcaster only so far that the upper edge of the rear lights is at a maximum of 900 mm above the road.



When travelling on public roads secure implement against unintended lowering!



In case of leaking control valves and/or longer pauses, e. g. transports, the shutting of the block ball taps (6.1/1 and 6.1/2) prevents a self-opening of the closed shutter slide. Position A = Shut-off-position.

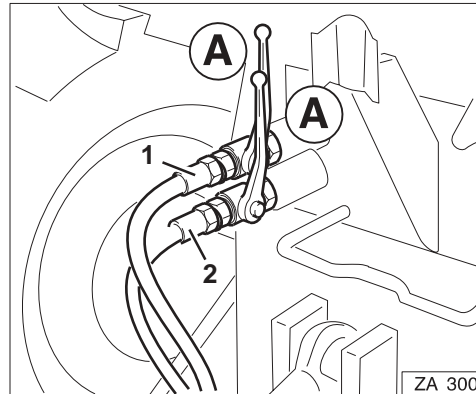


Fig. 6.1



7.0 Putting to operation

7.1 Setting and use of the fertiliser spreader

For all settings on the centrifugal broadcaster **AMAZONE ZA-XW 502** follow the indications of the setting chart.

All common fertilisers are test-spread in the **AMAZONE**-test hall and the hereby determined setting figures are entered into the setting chart.

All fertilisers mentioned in the setting chart were in excellent condition when determining the setting values.

Due to varying fertiliser characteristics

- because of weather influence and/or unfavourable storing conditions,
- deviations of the physical properties of the fertiliser - also within the same kind and brand -
- the spreading behaviour of the fertiliser,

may change and thus deviations from the figures for setting the desired spread rate or working width in the setting chart may become necessary.

No guarantee can be given that your fertiliser - even with the same name and from the same manufacturer - has the same spreading behaviour as the fertiliser tested by us.



With unknown kinds of fertiliser or for a checking of the working width set, a working width check can easily be conducted with the mobile test kit (option).



Operations on the centrifugal broadcaster may only be conducted with switched off engine and pressure free hydraulic system! Remove ignition key, secure vehicle against unintended operation and rolling away!



When doing maintenance work on the lifted implement make sure that it is secured by proper supports!



Before commencing any settings or other work on the machine wait until all moving implement parts have come to a complete stand still.

7.1.1 Mounting height



Ask people to leave the danger zone behind or underneath the machine.

Set the mounting height of the filled broadcaster in the field exactly according to the indications given in the setting chart. Measure the distance between soil surface and the spreading disc front- (a) and rear side (b) (Fig. 7.1).

7.1.1.1 Normal fertilising

The indicated mounting heights, normally horizontal $a = 80 / b = 80$ in cm refer to normal fertilising. For normal fertilising the swivel blades (7.2/1) of the shorter spreading vanes are normally in the lower position (please observe hints in the setting chart).

For the spring spreading season, when the crop has grown up to a height of 10-40 cm, one half of the crop height should be added to the stated mounting heights (e. g. 80/80). Thus set a mounting height of 95/95 when the crop is 30 cm tall.

If the crop is taller follow the instructions for late top dressing (para. 7.1.1.2).

If the crop is very dense (rape) the fertiliser broadcaster should be set at 80/80 above the crop. If that is no longer possible, then please also follow the instructions for late top dressing (para. 7.1.1.2).

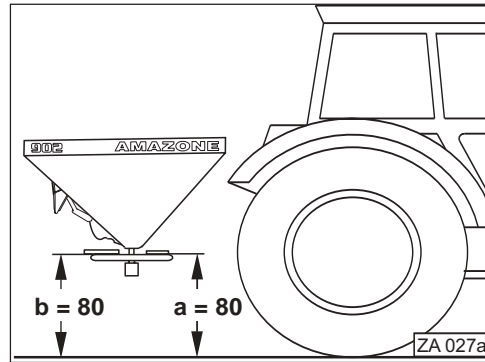


Fig. 7.1

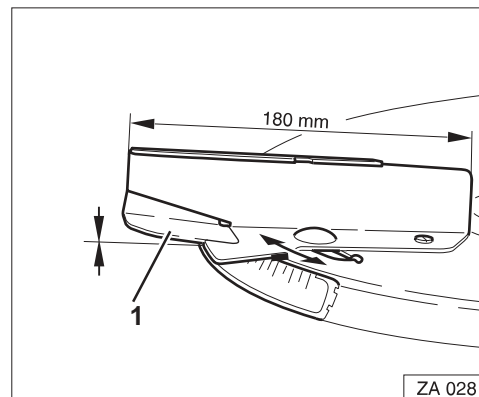


Fig. 7.2

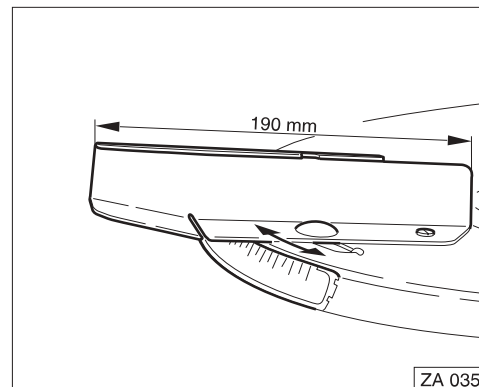


Fig. 7.3



7.1.1.2 Late top dressing

The shorter spreading vanes are provided with the tool-less swivel blades (7.4/1) which allow the late top dressing in grain up to a crop height of 1 m - without any further option.

For late top dressing tilt upwards the swivel blades (7.4/1) of the spreading vanes without slackening the nuts (without tools) into the upper position. Hereby the fertiliser spread fan is raised.

Set the mounting height of the spreader with the aid of the tractor's three-point-hydraulic that high that the distance between top of the grain and spreading discs is approx. 5 cm (Fig. 7.5).



In case the pto-shaft universal joint exceeds angles of 25° use a wide angle pto shaft (option).

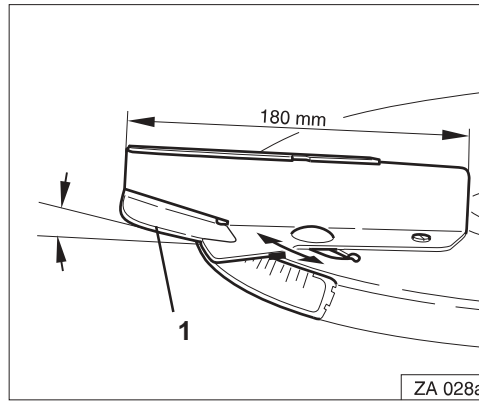


Fig. 7.4

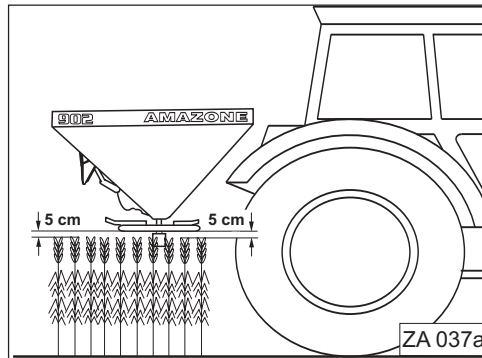


Fig. 7.5



7.1.2 Spread rate



Operations on the centrifugal broadcaster may only be conducted with switched off engine and pressureless hydraulic system! Remove ignition key, secure vehicle against unintended operation and rolling away!

The spread rate setting and adjustment may only be carried out with mounted implement, switched off drive and closed shutters and block taps.

Take the shutter position directly from the setting chart. The shutter position depends on:

- kind of fertiliser to be spread.
- working width [m].
- intended operational speed [kph].
- desired spread rate [kg/ha].

Example:

Kind of fertiliser: **CAN 27 % BASF**
 Working width: **12 m**
 Operational speed: **10 km/h**
 Desired spread rate: **350 kg/ha**

- Look in the setting chart for the page with the desired kind of fertiliser.
- In column working width **12 m** find the column operational speed **10 km/h** and here read off the spread rate **348 kg/ha**.
- Read off in the line spread rate **348 kg/ha** the shutter position **16**.

Excerpt from setting chart

| | | CAN 27% N gran. BASF; Hydro; DSM; Kemira; Agrolinz 1.06 kg/l | | | | | | | | | | | | | | |
|------------------|------|--|-----|------|-----|-----|------|-----|-----|------|-----|-----|------|-----|-----|--|
| Shutter position | 10 | | | 12 | | | 15 | | | 16 | | | 18 | | | |
| | km/h | | | km/h | | | km/h | | | km/h | | | km/h | | | |
| | 8 | 10 | 12 | 8 | 10 | 12 | 8 | 10 | 12 | 8 | 10 | 12 | 8 | 10 | 12 | |
| 8 | 48 | 38 | 32 | 40 | 32 | 27 | 32 | 25 | 21 | 30 | 24 | 20 | 27 | 21 | 18 | |
| 9 | 81 | 65 | 54 | 68 | 54 | 45 | 54 | 43 | 36 | 51 | 41 | 34 | 45 | 36 | 30 | |
| 10 | 132 | 106 | 88 | 110 | 88 | 73 | 88 | 71 | 59 | 83 | 66 | 55 | 73 | 59 | 49 | |
| 11 | 196 | 157 | 131 | 164 | 131 | 109 | 131 | 105 | 87 | 123 | 98 | 82 | 109 | 87 | 73 | |
| 12 | 260 | 208 | 173 | 216 | 173 | 144 | 173 | 138 | 115 | 162 | 130 | 108 | 144 | 115 | 96 | |
| 13 | 326 | 261 | 218 | 272 | 218 | 181 | 218 | 174 | 145 | 204 | 163 | 136 | 181 | 145 | 121 | |
| 14 | 391 | 313 | 261 | 326 | 261 | 217 | 261 | 209 | 174 | 245 | 196 | 163 | 217 | 174 | 145 | |
| 15 | 457 | 365 | 305 | 381 | 305 | 254 | 305 | 244 | 203 | 286 | 228 | 190 | 254 | 203 | 169 | |
| 16 | 522 | 417 | 348 | 435 | 348 | 290 | 348 | 278 | 232 | 326 | 261 | 217 | 290 | 232 | 193 | |
| 17 | 585 | 468 | 390 | 488 | 390 | 325 | 390 | 312 | 260 | 366 | 293 | 244 | 325 | 260 | 217 | |
| 18 | 648 | 518 | 432 | 540 | 432 | 360 | 432 | 345 | 288 | 405 | 324 | 270 | 360 | 288 | 240 | |
| 19 | 708 | 566 | 472 | 590 | 472 | 393 | 472 | 378 | 315 | 442 | 354 | 295 | 393 | 315 | 262 | |
| 20 | 766 | 613 | 511 | 638 | 511 | 426 | 511 | 409 | 341 | 479 | 383 | 319 | 426 | 341 | 284 | |
| 21 | 822 | 658 | 548 | 685 | 548 | 457 | 548 | 439 | 365 | 514 | 411 | 343 | 457 | 365 | 305 | |
| 22 | 876 | 701 | 584 | 730 | 584 | 487 | 584 | 467 | 389 | 548 | 438 | 365 | 487 | 389 | 325 | |
| 23 | 928 | 742 | 619 | 773 | 619 | 516 | 619 | 495 | 412 | 580 | 464 | 387 | 516 | 412 | 344 | |
| 24 | 978 | 782 | 652 | 815 | 652 | 543 | 652 | 522 | 435 | 611 | 489 | 408 | 543 | 435 | 362 | |
| 25 | 1027 | 821 | 684 | 856 | 684 | 570 | 684 | 548 | 456 | 642 | 513 | 428 | 570 | 456 | 380 | |
| 26 | 1074 | 859 | 716 | 895 | 716 | 597 | 716 | 573 | 477 | 671 | 537 | 448 | 597 | 477 | 398 | |
| 27 | 1121 | 897 | 748 | 935 | 748 | 623 | 748 | 598 | 498 | 701 | 561 | 467 | 623 | 498 | 415 | |
| 28 | 1169 | 935 | 779 | 974 | 779 | 649 | 779 | 623 | 520 | 731 | 584 | 487 | 649 | 520 | 433 | |
| 29 | 1218 | 974 | 812 | 1015 | 812 | 676 | 812 | 649 | 541 | 761 | 609 | 507 | 676 | 541 | 451 | |
| 30 | 1268 | 1014 | 845 | 1057 | 845 | 704 | 845 | 676 | 564 | 793 | 634 | 528 | 704 | 564 | 470 | |



Set shutter position via setting levers (7.6/1) as follows:



Danger of bruising when adjusting the setting levers!

- Close shutter slides.
- Slacken the adjustable clamping lever (7.6/2).
- Look for the scale figure for the necessary shutter position on the scale (7.6/3).
- Set the read off edge (7.6/4) of the setting lever pointer (7.6/5) on to this scale figure.
- Firmly retighten the clamping lever (7.6/2).

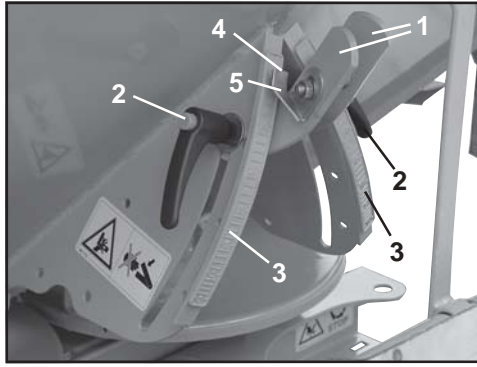


Fig. 7.6



Choose equal shutter position for right and left hand shutter!



When spreading only open the shutters after the described pto shaft speed (e. g. 540 R.P.M.) is reached.

7.1.3 Working width

The working width is influenced by the spreading properties of the fertiliser.

As known, the main influence factors regarding the spreading properties are

- grain size,
- bulk density,
- surface coating,
- humidity.

Depending on the kind of fertiliser the "Omnia-Set" spreading discs allow the setting of varying working widths between 10 and 18 m.

For setting varying working widths (distances between the tramlines) the spreading vanes are steplessly horizontally adjustable around the fixed pivot point (7.7/2) after slackening the relevant thumb nut (7.7/1).

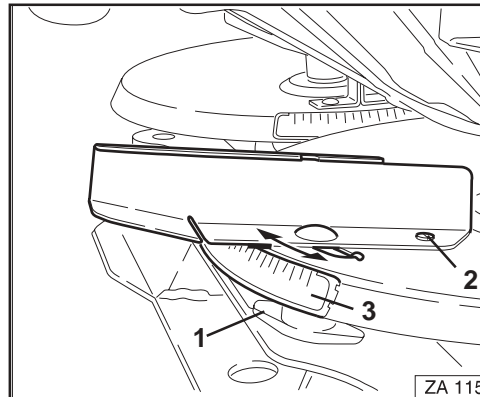
By swivelling the spreading vanes on a higher figure of the scale (7.7/3) the working width becomes wider.

The shorter spreading vane distributes the fertiliser mainly in the spread pattern centre, while the longer vane mainly spreads onto the outer range.

The technical condition of the spreading vanes essentially contributes to an even lateral fertiliser distribution in the field.

The spreading vanes have been manufactured from especially wear resistant, corrosion-free steel. However, it is pointed out that the spreading vanes and their swivel blades are wearing parts.

The longevity of spreading vanes and swivel blades depends on the kinds of fertiliser used, the times of operation and the spreading quantities.



Exchange spreading vanes or swivel blades as soon as break-ages by wear can be recognised (please also refer to para.8.6 and 8.7).



7.1.3.1 Swivelling the spreading vanes

Take from the setting chart the required vane position depending on the kind of fertiliser to be spread and on the desired working width.

If the fertiliser cannot distinctly be associated with a certain kind in the setting chart, the AMAZONE- fertiliser service will give you recommendations for the setting, either immediately on the phone or after sending a small fertiliser sample (3 kg).

AMAZONE-fertiliser service
 Tel.: Germany: 0049-5405/5011111 or 501164
 - Fax: 0049-5405/ 501234

For the exact, tool-less setting of the individual spreading vane positions, two different nor interchangeable scales (7.8/1 and 7.8/2) have been placed on every spreading disc.

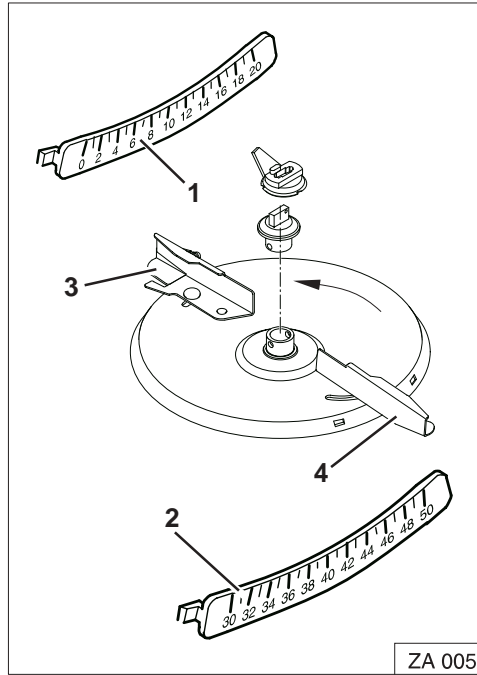


Fig. 7.8

The scales (7.8/1) with the figures of 0 to 20 belong to the shorter spreading vanes (7.8/3) and the scales (7.8/2) with the figures of 30 - 50 to the longer spreading vanes (7.8/4).

When spreading mixed fertilisers observe that

- the individual kinds may have different spreading properties.
- a separation of the individual kinds may occur.

The given setting recommendations for the lateral distribution (working width) only refer to the weight distribution and not on the nutrition supply.

Example:

Kind of fertiliser: CAN 27 % N gran, BASF
 Working width: 12 m

Excerpt from the setting chart

| Kind of fertiliser | m | | | | | Spread-rates s. page |
|--|------|------|------|------|------|-------------------------|
| | 10 | 12 | 15 | 16 | 18 | |
| CAN 27% N gran. BASF; Hydro; DSM; Kemira; Agrolinz | 8/40 | 8/40 | 8/41 | 8/41 | 8/42 | 26 |

Take the vane position from the setting chart: "8/40".

Set the spreading vanes on the spreading discs as follows:

- Slacken thumb nut (7.9/1).



For slackening the thumb nut turn spreading disc so that the thumb nut can be slackened without any problems.

- Swivel read off edge (7.9/2) of the short vane (7.9/3) onto figure "8" of the scale (7.9/4).
- **Tighten thumb nut (7.9/1) firmly (without any tool).**

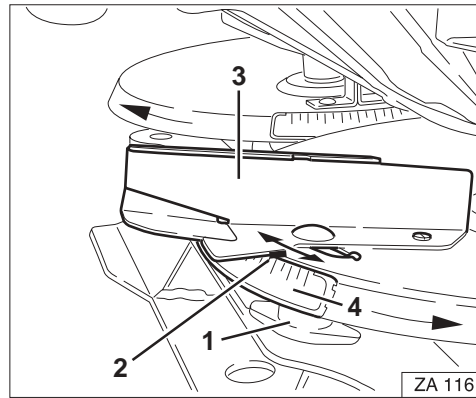


Fig. 7.9

- Slacken thumb nut (7.10/1).
- Swivel read off edge (7.10/2) of the long vane (7.10/3) onto figure "40" of the scale (7.10/4).
- **Tighten thumb nut (7.10/1) firmly (without any tool).**

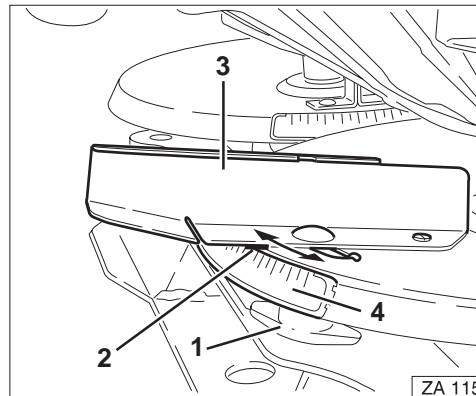


Fig. 7.10

7.1.3.2 Checking the working width with the mobile test kit (option)

The setting values of the setting chart have to be considered as guide values only, as the spreading properties of the kinds of fertiliser vary.

It is recommended to check the set working widths of the fertiliser broadcaster with the mobile test kit (Fig. 7.11) (option).

For further details, please refer to the instruction manual "Mobile test kit".

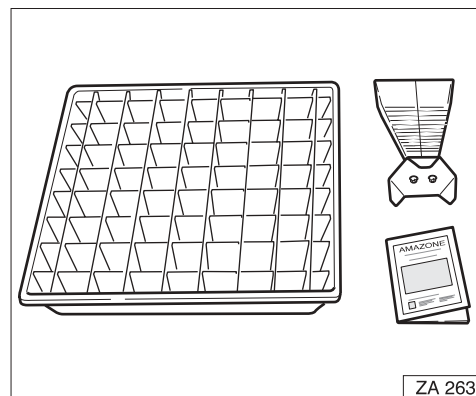


Fig. 7.11



7.1.4 Spreading on field boundaries

For spreading on field boundaries:

- the boundary spreading vane "Tele-Quick" (standard) for left hand side field boundary or side spreading or
- the boundary spread deflector (option) are used.

7.1.4.1 Boundary or headland spreading with the boundary spreading vane "Tele-Quick"

With the swivellable, telescopic boundary spreading "Tele-Quick" the spreading width of the fertiliser can be set onto the distance of the first wheel mark (tramline) from the field's boundary.

Take the relevant vane position directly from the setting chart under consideration of:

- the kind of fertiliser to be spread.
- the distance [m] of the first wheel mark (tramline) from the field's boundary.

For setting the telescopic vane the kinds of fertiliser can be divided into 6 groups:

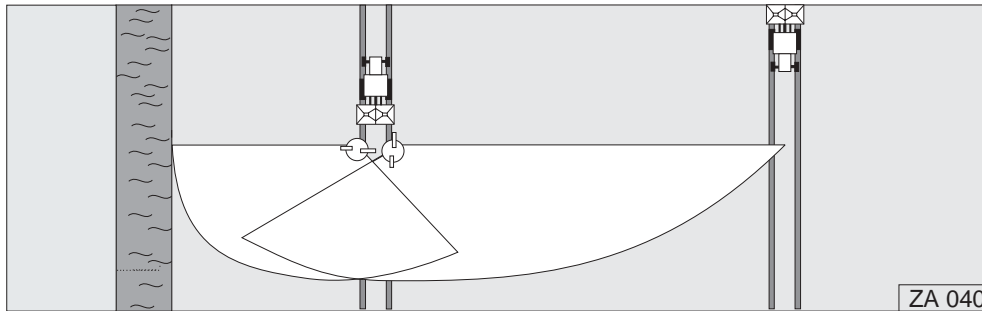
- Group I:** granular material with good flowing properties with a bulk density of approx. 1,0 kg/l, e.g. CAN, NP- and NPK-types.
- Group II:** prilled material with good flowing properties with a bulk density up to approx. 1,0 kg/l, e. g. CAN, NP- and NPK-types.
- Group III:** Urea granular with a bulk density of up to approx. 0,8 kg/l.
- Group IV:** Urea prilled with a bulk density of up to approx. 0,8 kg/l.
- Group V:** granular, coarse material with mean flowing properties with a bulk density less than 1,05 kg/l, e. g. DAP-, MAP-types.

Group VI: granular, coarse material with mean flowing properties with a bulk density above 1,05 kg/l, e. g. phosphate- and potash-types.

When using the boundary spreading vane "Tele-Quick" it is distinguished between:

- the boundary spreading according to fertiliser application decree and
- the side spreading alongside the owned, equally to be treated areas (except for surface waters).

7.1.4.1.1 Boundary spreading according to fertiliser application legislation



According to fertiliser application legislation

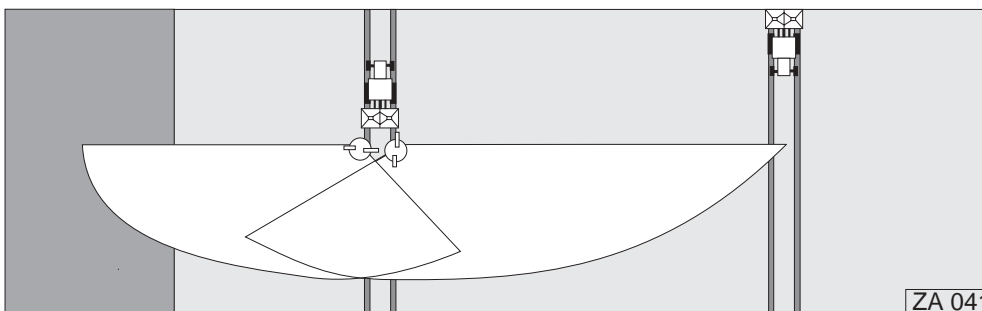
- no fertiliser may drop beyond the boundary.
- washing out and floating (e. g. in surface waters) must be avoided.

By this imposition an under fertilised side strip of about 2 to 6 m automatically results, de-

pending on the distance of the first track mark from the field's border.

Due to this inevitable spreading width reduction, also the shutter position has to be reduced by 2 positions (graduation marks).

7.1.4.1.2 Field side spreading beside owned, equally to be treated areas



In certain cases (e. g. beside owned, equally to be treated areas [except for surface waters]) by another vane position a nearly complete fertilising to the field's boundary can be achieved and thus an under fertilised side strip can be avoided. In these cases do not reduce the shutter position.



The spread patterns may deviate from the spread patterns shown



7.1.4.1.3 Setting and fitting the border spreading vane "Tele-Quick"



Operations on the centrifugal broadcaster may only be conducted with switched off engine and pressureless hydraulic system! Remove ignition key, secure vehicle against unintended operation and rolling away!

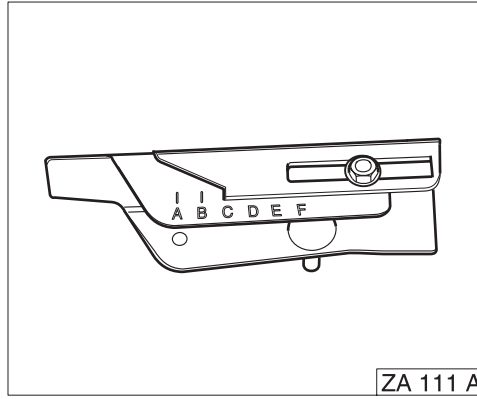


Fig. 7.12

Example:

Kind of fertiliser: **CAN 27 % N gran., BASF**
 Distance of the first tramline to the field's boundary: **7.5 m**

a) Boundary spreading according to fertiliser application legislation

Excerpt from the setting table "Boundary spreading with Tele-Quick according to the fertiliser application decree "

| Kind of fertiliser | | | | | |
|--------------------------|-------------|-------------|-------------|-------------|-------------|
| | 5 | 6 | 7,5 | 8 | 9 |
| CAN- and NPK-kinds gran. | 400 B 50 | 400 D 50 | 450 E 50 | 450 E 50 | 500 F 50 |

Take the spreading vane position for boundary spreading according to the fertiliser application decree from the setting chart. "**E/50**" and reduce the pto shaft speed to 450 min⁻¹.

b) Field side spreading beside owned, equally to be treated areas

Excerpt from the setting chart "Field side spreading with Tele-Quick"

| Kind of fertiliser | | | | | |
|--------------------------|------|------|------|------|------|
| | 5 | 6 | 7,5 | 8 | 9 |
| CAN- and NPK-kinds gran. | B 50 | D 50 | E 50 | E 50 | F 50 |

Take the spreading vane position for the field side spreading from the setting chart: "**E/50**".

Procedure when setting

- Take the border spreading vane (7.13/1) out of the retaining pocket (7.13/2).
- Dismantle the long spreading vane (7.13/3) of the left hand spreading disc (7.13/4).

When not being used fix the border spreading vane "Tele-Quick" with the long spreading vane in the retaining pocket (7.13/2).

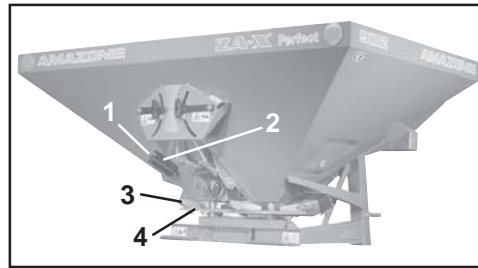


Fig. 7.13

- Slacken fixing bolt of the vane outer part on the border spreading vane (7.14/1) with the inner hexagon socket of the thumb nut (7.14/2).
- Set the read off edge (7.14/3) on scale (7.14/4) on the letter value "E" (boundary spreading) or "E" (field's side spreading) (only valid for the indicated example) and retighten thumb nut (7.14/2) firmly.

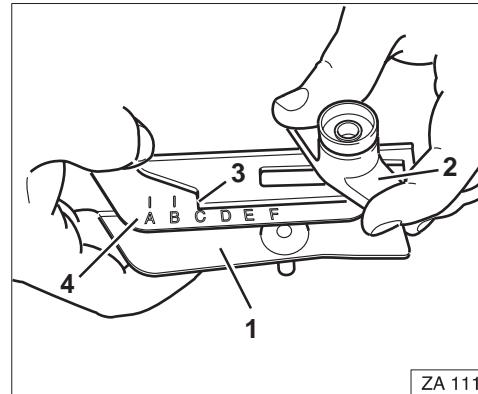


Fig. 7.14

Changing the vane length

Setting the spreading vane outer part on the scale (7.14/4) to a higher letter value means:

- Increase spreading width.
- Spreading fan shallower.
- Fit the set border spreading vane (7.15/1) with the thumb nut (7.15/2) on the spreading disc.
- Set the read off edge (7.15/3) on the scale (7.15/4) to figure "47" (boundary spreading) or "50" (side spreading) (only valid for the indicated example) and retighten thumb nut (7.15/2) firmly.

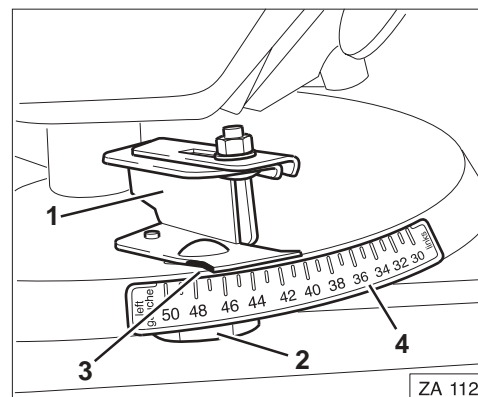


Fig. 7.15

Changing vane position

Swivel telescopic vane on a higher setting figure of the scale.

- Increase spreading width.
- Spreading fan steeper.



- For border spreading swivel back the shutter position of the setting lever (7.16/1) on the left hand implement side for two scale lines on the scale (7.16/2).



After finishing the boundary spreading, bring the left hand shutter position back to it's former position and exchange spreading vanes.



Fig. 7.16

7.1.4.2 Border spreading with the boundary spread deflector (option)



Operations on the centrifugal broadcaster may only be conducted with switched off engine and pressure free hydraulic system! Remove ignition key, secure vehicle against unintended operation and rolling away!

If the tramline is placed into the first working path of the seed drill (with a 3 m seed drill the distance of the first tramline to the field's side is 1.50 m), proceed with the left hand boundary spread deflector as follows:

- Close left hand shutter (7.17/1).
- Slacken thumb nut (7.17/2).
- Swivel downwards the boundary spread deflector (7.17/3) from out of operation position (7.17/4) to operation position (7.18/1).
- Tighten thumb nut (7.17/2).
- Disengage the left agitator head (please refer to para. 7.1.5).

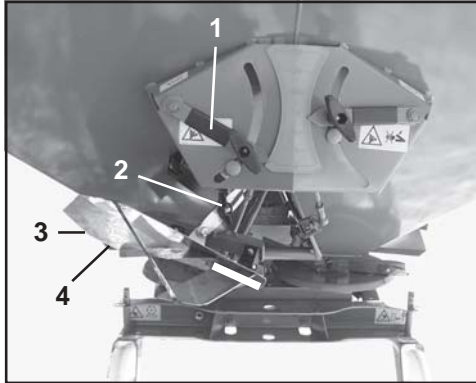


Fig. 7.17



After finishing the boundary spreading:

- swivel upwards the boundary spread deflector again and arrest.
- bring back left hand shutter position into the former position.
- engage the left hand agitator head.

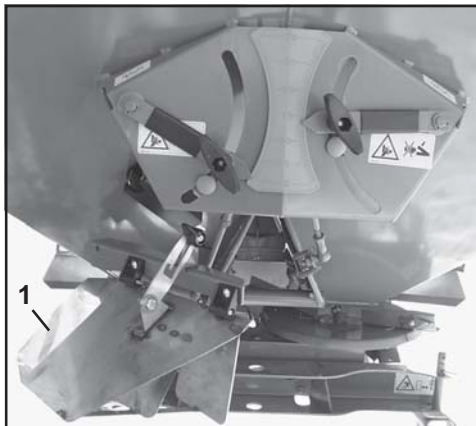


Fig. 7.18

7.1.5 Switching on and off agitator head



Operations on the centrifugal broadcaster may only be conducted with switched off engine and pressure free hydraulic system! Remove ignition key, secure vehicle against unintended operation and rolling away!

- For switching off the agitator head (7.19/1) remove coupling plug (7.19/2) beneath the relevant hopper base.



Before switching on the agitator head again, ensure that the agitator head finger (7.19/3) is located in front of the short vane in (7.19/4) in rotating direction.

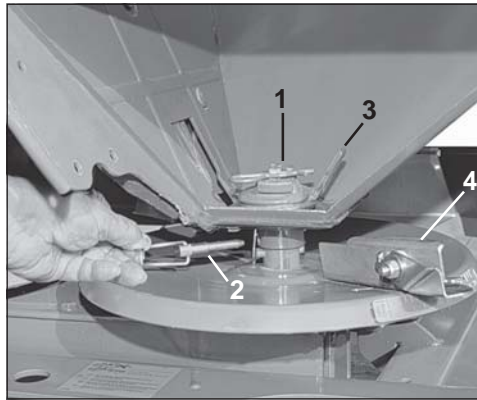


Fig. 7.19

7.1.6 Spreading pressure sensitive fertilisers



Operations on the centrifugal broadcaster may only be conducted with switched off engine and pressure free hydraulic system! Remove ignition key, secure vehicle against unintended operation and rolling away!

With some spreading material, as e. g. some kinds of urea or green manure seed the extension on the agitator head has to be removed as follows:

- Pull off clip pin (7.20/1).
- Remove agitator head extension (7.20/2).
- **The clip pin (7.21/1) must implicitly be fitted against direction of rotation (7.21/2).** (Illustrated is the right hand implement side seen in driving direction).

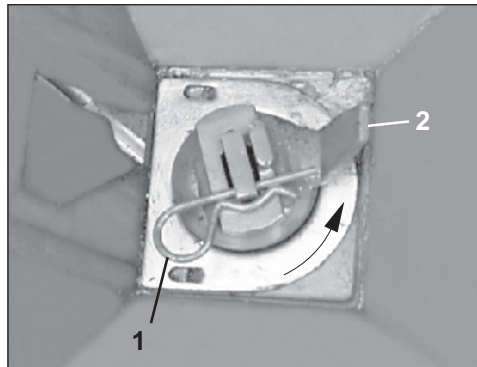


Fig. 7.20

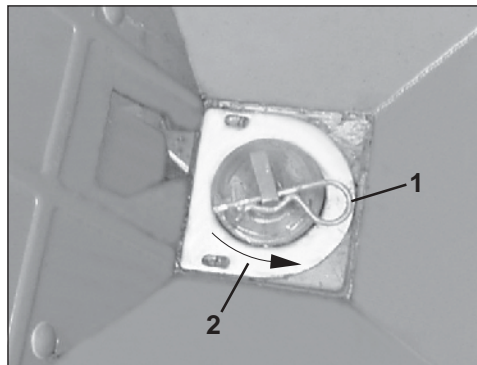


Fig. 7.21



7.2 Operation



Never reach into the rotating agitator spiral!



At new machines after 3 – 4 hopper fillings check nuts and bolts regularly for tightness and retighten if necessary.

7.2.1 Filling



Before filling make sure that no residue or foreign particles are in the hopper.



When filling pay attention that no foreign objects are in the fertiliser.



Observe permissible payload of the broadcaster and axle loads of the tractor!



When lifting the centrifugal broadcaster the front axle of the tractor is differently relieved depending on tractor size.

Therefore, when filling the centrifugal broadcaster observe that the required tractor front axle load is maintained (20 % of the tractor's empty weight, however, also refer to the instruction manual of the tractor manufacturer)! If necessary apply front loads.



Fill hopper only with shutters closed!

7.2.2 Spreading operation



Do not stay within the zone of spinning spreading discs! Danger of injury! Danger from fertiliser particles being thrown around. Advise people to leave the danger zone!



When spreading open shutters only when the prescribed pto shaft speed (540 min⁻¹, unless otherwise stated in the setting chart) for the desired working width has been reached.



When the shutters are closed (even for a short time) strictly observe to switch off the pto shaft.



Always switch off the pto shaft in case of too large angles.



Maintain constant pto speed and driving speed for best performance.



Engage pto shaft only at slow tractor engine speed.



If the implement is transported over longer distances with filled hopper, close shutters and disengage pto (while travelling to the field), open the shutter slides entirely before starting the spreading operation, e. g. before engaging the pto-shaft. Then switch on the spreading disc drive and carry out a brief stationary spreading! Only start spreading operation after setting the desired spread rate.



If in spite of an equal shutter position an uneven emptying of the two hopper tips is noted, check the main shutter position.



An appropriate technical state of the spreading vanes helps to ensure an even fertiliser lateral distribution.



The longevity of spreading vanes and swivel blades depends on the kinds of fertiliser used, the times of operation and the spreading quantities.

7.2.2.1 Spreading on the place of operation

The broadcaster has been coupled to the tractor, the pto shaft and the hydraulic hoses are connected.

The **settings** for

- Mounting height
- Working width and
- shutter position

have been carried out.

- Engage the spreading disc drive and drive the spreading discs with the pto shaft speed required for the desired working width.
 - Open shutter slides.
 - Maintain constant spreading disc speed and driving speed for best performance.
-



8.0 Maintenance and Repair



For cleaning, maintenance and repair, please especially observe the chapters 2.5.4 and 2.6.



Clean, grease or set the centrifugal broadcaster or the universal joint shaft only after the pto shaft has been disengaged, the engine has been stopped and the ignition key is removed.



When carrying out maintenance work on lifted machines always care for appropriate supports and secure the machine against unintended lowering.



After disengaging the pto shaft the mounted implement may still continue to run by it's dynamic masses. Begin to work only when the implement has come to a full standstill.



In case of injuries caused by penetrating oil consult a doctor immediately.

8.1 Cleaning

After use clean the machine with a normal jet of water (greased implements only on washing bays with oil traps).

Clean outlets and shutters especially carefully.

Treat dry machine with an anticorrosive agent. (Only use biologically degradable protective agents). Park machine with opened, greased shutters.

8.2 Lubrication

8.2.1 Greasing of pto shaft

The greasing intervals for the pto shaft are shown in hours in the left hand side table (Fig. 8.1). For further informations, please refer to the instruction manual of the pto shaft-manufacturer.

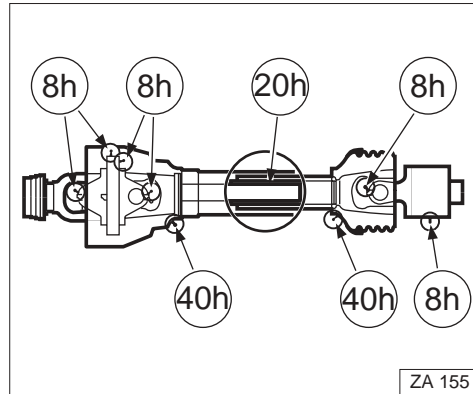


Fig. 8.1

8.2.2 Lubrication chart of the centrifugal broadcaster

- Apply oil to the greasing points on your centrifugal broadcaster daily before every operation.



Grease the threads of the T-bolts (8.2/1) for the shutter lever locking as well as their washers, so that the clamping connection remains functioning.

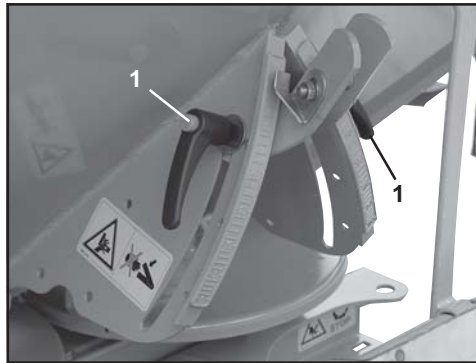


Fig. 8.2



8.2.3 Checking the gear box oil level

Under normal conditions the gear box is maintenance-free. The gear boxes are supplied with sufficient oil by the manufacturer. **The oil level must be visible in the oil level gauge (8.3/1).** A refilling of oil normally is not necessary.

External symptoms, e. g. fresh oil spots on the parking place or on machine parts and/or loud noise development, however, indicate an oil leakage of the gear box housing. Search for reason, care for remedy and fill with oil.

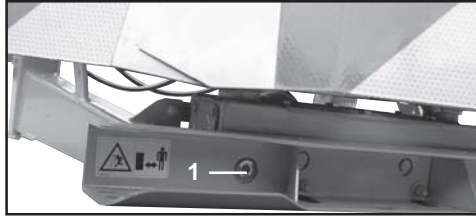


Fig. 8.3

For refilling oil

- tilt broadcaster to the front,
- unscrew oil level gauge (8.4/1),
- refill oil,
- screw in oil level gauge (8.4/1) again.

Oil filling quantity: 1,6 l SAE 90

8.3 Shear-off safety for the pto shaft

The separately supplied bolts 8 x 30, DIN 931, 8.8 are shear bolts (8.4/1) for fixing the pto shaft yoke on the flange of the gear box input shaft. Always apply grease when fitting the pto shaft to the gear box input shaft.

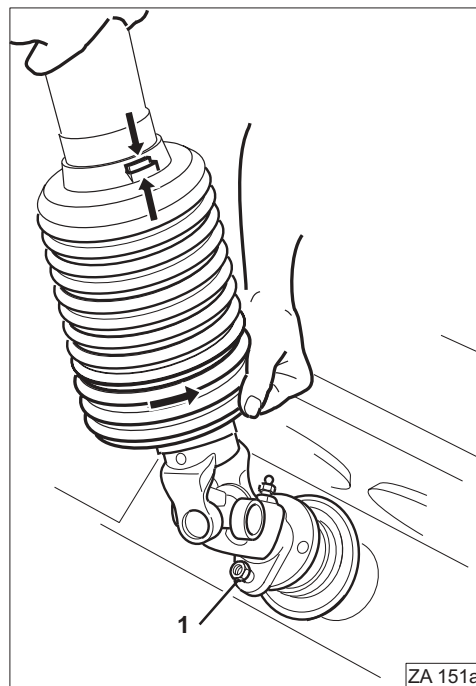


Fig. 8.4

8.4 Checking the space between agitator finger/hopper wall and spreading vane/deflector plates

The space between hopper wall (8.5/1) and agitator finger (8.5/2) must be 6 - 7 mm. If necessary, bend the agitator finger.

The space between hopper wall (8.5/3) and agitator finger (8.5/4) must be 5 - 7 mm. If necessary change position of the deflector plate accordingly



The agitator head finger (8.5/2) must be situated above the short vane (8.5/3).

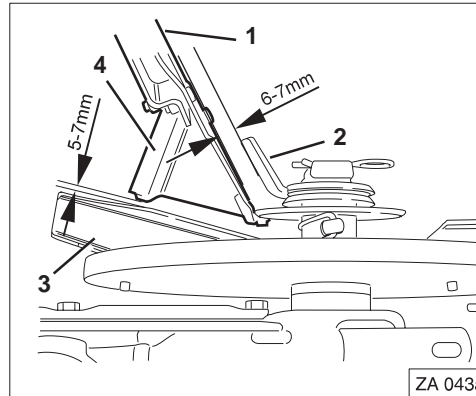


Fig. 8.5

8.5 Checking and correcting the basic setting of the shutter slides

If at equal shutter slide position an uneven emptying of the split hopper is noticed, the shutter slide basic position has to be checked.

- Close shutter slides.



When actuating the shutter slides do not reach into the hopper outlet opening! Danger of injury!

- Set the pointer read off edge (8.6/1) of the letting lever (8.6/2) to the setting figure "11" on the scale (8.6/3) and lock setting lever with the clamping lever (8.6/4).

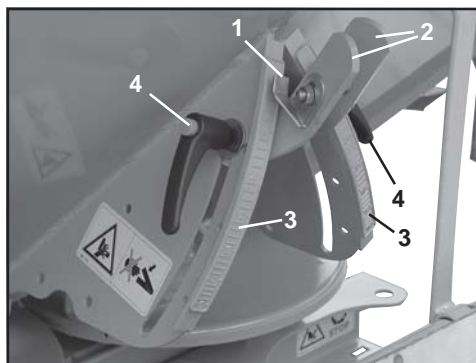


Fig. 8.6



Danger of bruising when adjusting the setting levers!

- Open shutter slide.
- Now the setting gauge (8.7/1) should easily pass through the opened outlet diameter.

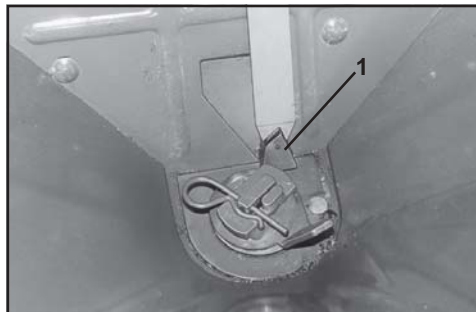


Fig. 8.7



In case the opening is too narrow or too large, readjust shutter slide basic position as follows:

- Close shutter slides.
- Slacken the clamping lever I (8.8/1) of the setting lever.
- Open shutter slide.
- Insert the setting gauge (8.9/1) into the outlet opening.
- Close shutter slides.

⚠ Danger of bruising when closing the shutters!

- Swivel the setting lever towards the shutter and lock with the clamping lever.
- Slacken the pointer locking (8.8/2).
- Set the pointer read off (8.8/3) to the setting figure "11" of the scale (8.8/4) and lock the pointer (8.8/5) in this position on the setting lever.

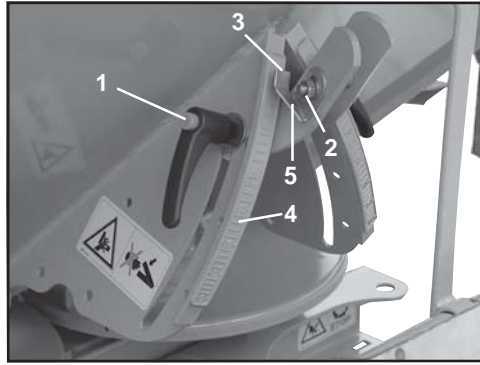


Fig. 8.8

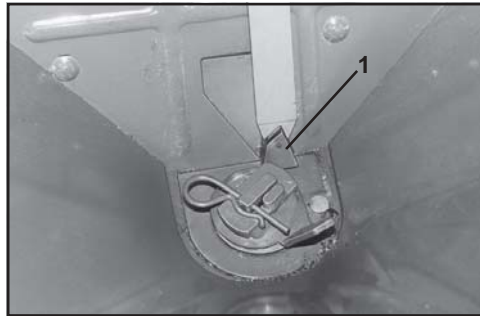


Fig. 8.9

☞ If no setting gauge is available the opened outlet opening diameter (8.10/1) can be sight checked. At outlet diameter created with shutters slide position "11", the edge (8.10/2) of the shutter slide must intersect the lower corner (8.10/3) of the outlet opening.

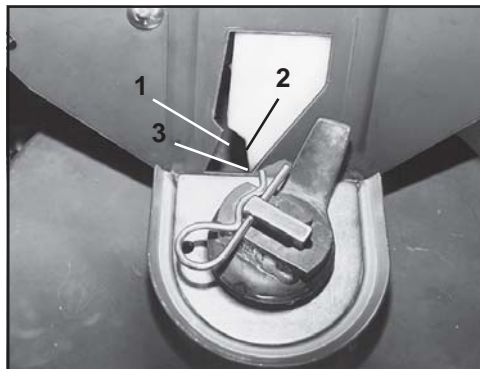


Fig. 8.10

8.6 Exchange of spreading vanes



Exchange spreading vanes as soon as breakage by wear can be recognised.



Take care when fitting the spreading vanes. The open side of the U-shaped spreading vanes (8.11/1) shows in rotating direction (8.11/2).



Do not mix up the right hand and left hand spreading vanes.

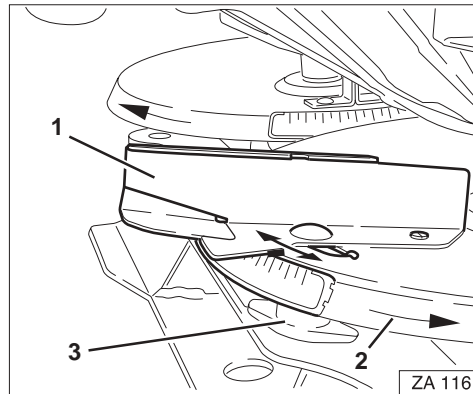


Fig. 8.11

Change spreading vanes as follows:

- Remove thumb nut (8.11/3) and change spreading vane (8.11/1).
- Retighten thumb nut firmly (8.11/3).

8.7 Exchange of swivel blades



Exchange swivel blades as soon as breakage by wear can be noticed.

Exchange swivel blades as follows:

- Remove self locking nut (8.12/1).
- Take off spring washers (8.12/2).
- Exchange swivel blades (8.12/3).
- If necessary also exchange plastic disc (8.12/4).
- Heap up spring washers (8.12/2) reciprocally (do not stack).
- Tighten self locking nut (8.12/1) with a torque of 6 - 7 Nm so that the swivel blade can still be swivelled by hand, however does not swivels upwards by itself when being in operation.

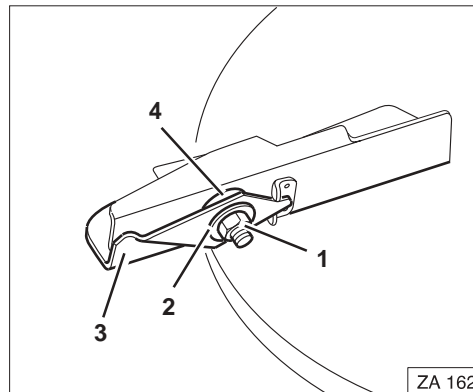


Fig. 8.12

8.8 Wear on the hopper bottom

In case of wear, the hopper bottoms (from non-corrosive material) (Fig. 8.13) can easily be exchanged after having removed the agitating device.



Fig. 8.13



9.0 Special optional equipment

9.1 Boundary spreading vane Tele-Quick

Product No.: 117 610 (Fig. 9.1)

Boundary spreading vane Tele-Quick **right hand side**

Product No.: 917 282

Fix the retainer for the boundary spreading vane according to Fig. 9.2 on to the hopper rear wall.

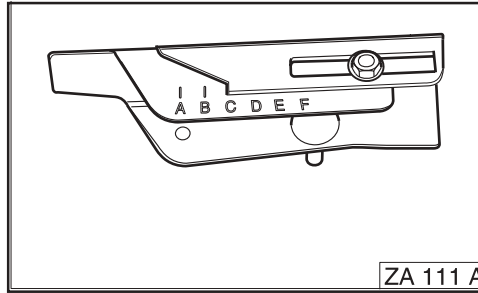


Fig. 9.1

9.2 Boundary spread deflector

For boundary spreading if the first tramline centre has been created 1.5 to 2.0 m from the field's boundary.

left hand - for left hand boundary spreading

Product No.: 177 301

Scope of delivery:

Boundary spread deflector (9.3/1) with fixing bolts.

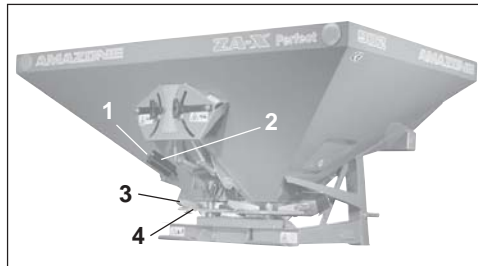


Fig. 9.2

9.2.1 Fitting the boundary spread deflector

- Fix the bar (9.3/2) of the boundary spread deflector (9.3/1) with the four fixing bolts (9.3/3) to the roof plate of the centrifugal broadcaster.

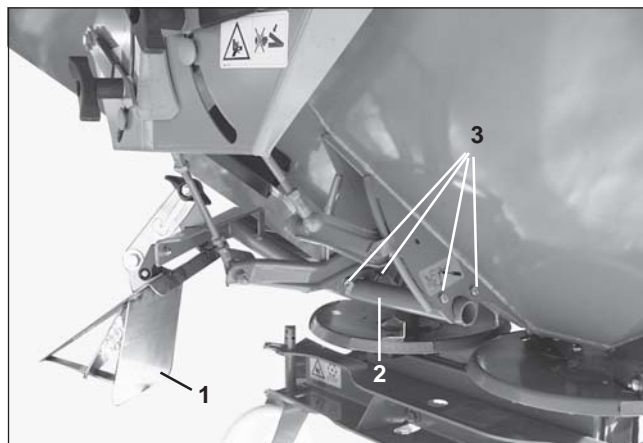


Fig. 9.3

9.3 Rear light kit with warning plates

Product No.: 990 835

The rear light kit (Fig.9.4) is directly bolted to the hopper rear wall. It consists of :

- Lamp combinations l.h. and r.h.,
- Parking warning plates according to DIN 11030,
- Registration plate carrier and
- Connecting cable.



Fig. 9.4

9.4 Two-way-valve unit

The two-way valve is required for the hydraulic single shutter control on tractors with only one single acting hydraulic connection.

Product No.: 145 600

Scope of delivery Fig. 9.5/...

- 1 - 1 - Two-way-valve unit
- 2 - Two carriers

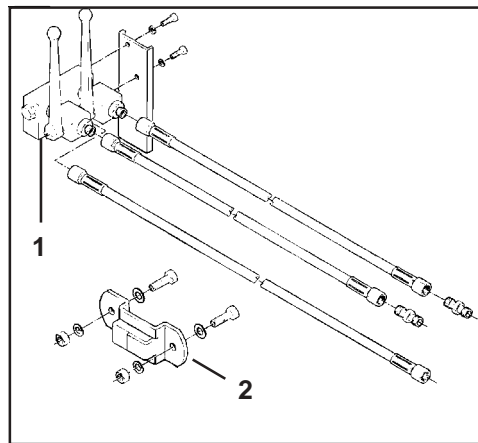


Fig. 9.5



9.4.1 Fitting the two-way-valve unit



When fitting the two-way-valve unit the hydraulic system has to be pressure free. Danger of injury by penetrating oil!

- Dismantle existing block taps from the hydraulic hoses (9.6/1).
- Collect penetrating oil.
- Connect hydraulic hoses (9.6/2) of the two-way-valve unit to the hydraulic hoses (9.6/1).
- Fix protective cap (9.6/3) on the connecting hoses.

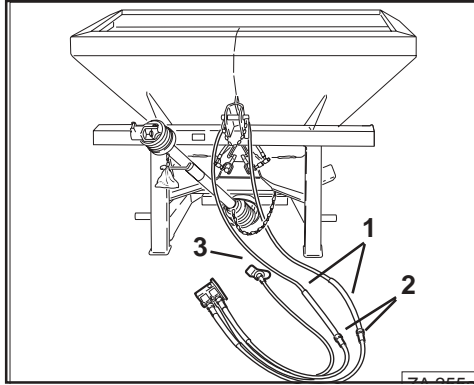


Fig. 9.6

Fit carrier of the two-way-valve unit at the implement

- Drill two holes (ø 12 mm) for the fixing bolts (9.7/1) in a suitable position.
- Fit carrier (9.7/2) with fixing bolts (9.7/1).

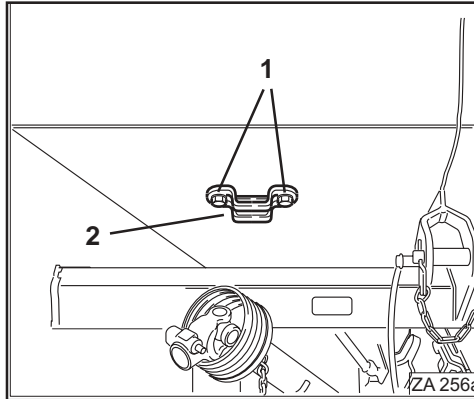


Fig. 9.7

Fit carrier of the two-way-valve unit on the tractor

- Drill two holes (ø 12 mm) for the fixing bolts (9.8/1) in a suitable.
- Fit carrier (9.8/2) with fixing bolts (9.8/1).

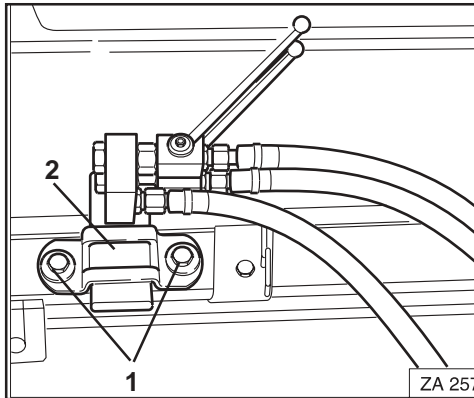


Fig. 9.8

9.5 Pto shaft with friction clutch

If the shear bolt between connecting yoke and gearbox input shaft repeatedly shears off and on tractors with roughly engaging tractor pto the Walterscheid pto shaft with friction clutch (Fig. 9.9) is recommended.

Product No.: EJ 281



Regarding the fitting of the p.t.o.-shaft pls. see para. 4.2. Dismantling the existing pto shaft is done in reverse order to the connection instructions.

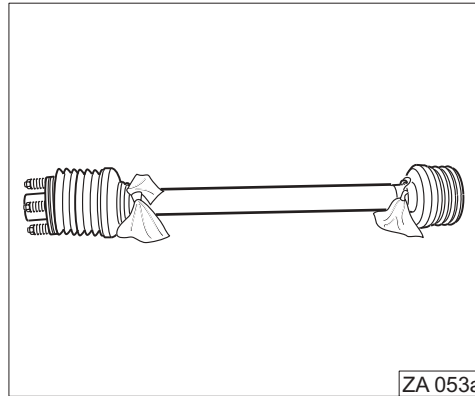


Fig. 9.9



Danger of tipping over. Exchange pto shaft only on the empty centrifugal broadcaster.



Only use pto shaft described by the manufacturer. Walterscheid-pt shaft (W 2102-SD05-760-K 94/1).



Observe instruction manual of the pto-shaft manufacturer!



Match pto shaft (see para. 5.3).



9.6 P.T.O.-shaft "Tele-Space"

Product No.: EJ 295

The p.t.o.-shaft for the comfortable coupling of the broadcaster to the tractor (Fig. 9.10).



Fig. 9.10

9.7 Row spreading device for special crop

Product No.: 921 704

This row spreading device can be set for spreading to 2- rows of row-crops and of special crops. It can be retro-fitted at any time.

The working width can be set from 2 to 5 m.



Fig. 9.11

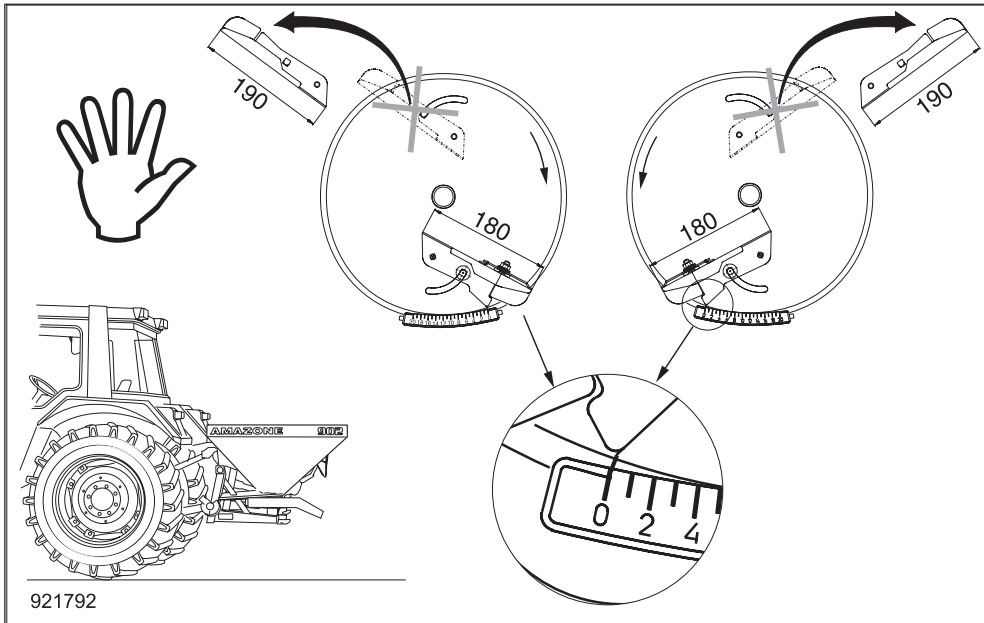


Fig. 9.12



Before fitting the row spreading device, remove the long spreading vanes (190 mm) and set the short spreading vanes (180 mm) to position "0" on the scale (Fig. 9.12).



Set the working width with the aid of the positions on the guide plates (9.11/1). The chosen hole pattern of the setting bar (9.12/2 or 9.13/1) determines the guide plate position.

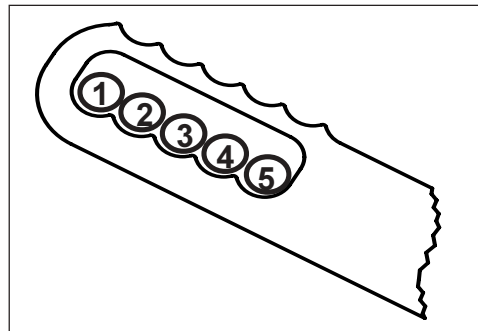


Fig. 9.13

The table (Fig. 9.14) shows the settable working widths and the corresponding guide plate positions.

The spread rate setting is carried out according to the following setting charts.

| Setting guide plate | |
|---------------------|----------------------|
| Working width [m] | Position guide plate |
| 2 | 1 |
| 3 | 2 |
| 4,5 | 3 |
| 5 | 4 |
| 6 | 5 |

Fig. 9.14



Setting chart for row spreading device

Calcium cyanamide 19,8% N Perlka SKW 1,02 kg/l
 ESTA Kieserit 'granular' 25% MgO K+S 1,26 kg/l
 Perlka (Kst) 19,8% N Agroline 1,02 kg/l

| Shutter position | 2 | | | 3 | | | 4,5 | | | 5 | | | 6 | | |
|------------------|------|------|------|------|------|-----|------|------|-----|------|------|-----|------|-----|-----|
| | km/h | | | km/h | | | km/h | | | km/h | | | km/h | | |
| | 8 | 10 | 12 | 8 | 10 | 12 | 8 | 10 | 12 | 8 | 10 | 12 | 8 | 10 | 12 |
| 8 | 300 | 240 | 200 | 200 | 160 | 133 | 133 | 106 | 89 | 180 | 144 | 120 | 150 | 120 | 100 |
| 9 | 512 | 410 | 341 | 341 | 273 | 228 | 228 | 182 | 152 | 205 | 164 | 137 | 171 | 137 | 114 |
| 10 | 831 | 665 | 554 | 554 | 443 | 369 | 369 | 295 | 246 | 332 | 266 | 222 | 277 | 222 | 185 |
| 11 | 1240 | 992 | 823 | 823 | 661 | 551 | 550 | 440 | 367 | 495 | 396 | 330 | 413 | 330 | 275 |
| 12 | 1631 | 1305 | 1088 | 1088 | 870 | 725 | 725 | 580 | 483 | 653 | 522 | 435 | 544 | 435 | 363 |
| 13 | | | | 1370 | 1096 | 913 | 913 | 731 | 609 | 822 | 658 | 548 | 685 | 548 | 457 |
| 14 | | | | | | | 1278 | 1021 | 851 | 1150 | 920 | 766 | 958 | 766 | 639 |
| 15 | | | | | | | | | | 1312 | 1050 | 875 | 1094 | 875 | 729 |
| 16 | | | | | | | | | | 1474 | 1179 | 983 | 1229 | 983 | 819 |

CAN 27% N granular BASF; Hydro; DSM; Kemira; Agrolinz 1,02 kg/l
 NP-and NPK granular BASF 1,10 kg/l
 Hydro NPK Prills 1,08 kg/l
 Kemistar Kemira NPK 20-7-10 + 3 1,03 kg/l

| Shutter position | 2 | | | 3 | | | 4,5 | | | 5 | | | 6 | | |
|------------------|------|------|-----|------|------|------|------|-----|-----|------|-----|-----|------|-----|-----|
| | km/h | | | km/h | | | km/h | | | km/h | | | km/h | | |
| | 8 | 10 | 12 | 8 | 10 | 12 | 8 | 10 | 12 | 8 | 10 | 12 | 8 | 10 | 12 |
| 9 | 406 | 325 | 271 | 271 | 217 | 180 | 180 | 144 | 120 | 162 | 130 | 108 | 135 | 108 | 90 |
| 10 | 663 | 530 | 442 | 442 | 354 | 295 | 295 | 236 | 196 | 265 | 212 | 177 | 221 | 177 | 147 |
| 11 | 981 | 785 | 654 | 654 | 523 | 436 | 436 | 349 | 291 | 392 | 314 | 261 | 327 | 262 | 218 |
| 12 | 1302 | 1042 | 868 | 867 | 694 | 578 | 579 | 463 | 386 | 521 | 416 | 347 | 434 | 347 | 289 |
| 13 | | | | 1088 | 870 | 725 | 725 | 580 | 483 | 653 | 522 | 435 | 545 | 435 | 363 |
| 14 | | | | 1305 | 1044 | 870 | 870 | 696 | 580 | 783 | 626 | 522 | 653 | 522 | 435 |
| 15 | | | | 1524 | 1219 | 1016 | 1016 | 812 | 677 | 914 | 731 | 609 | 762 | 610 | 508 |
| 16 | | | | | | | 1159 | 927 | 772 | 1043 | 834 | 695 | 869 | 695 | 579 |
| 17 | | | | | | | | | | 1170 | 936 | 780 | 975 | 780 | 650 |





AMAZONEN-WERKE

H. DREYER GmbH & Co. KG

Postfach 51
D-49202 Hasbergen-Gaste
Germany

Phone: ++ 49 (0) 5405 501-0
Telefax: ++ 49 (0) 5405 50 11 93
e-mail: amazone@amazone.de
[http:// www.amazone.de](http://www.amazone.de)

Branch factories at:
D-27794 Hude • D-04249 Leipzig • F-57602 Forbach
Subsidiaries in England and France

Factories for: Fertiliser broadcasters, -storage halls, -handling systems. Seed drills.
Soil cultivation machinery. Field Boom Sprayers. Municipal machinery.
